

AV Control Amplifier

Operating Instructions _____

GB

Mode d'emploi _____

FR

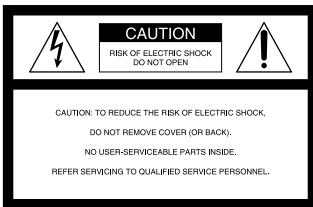
TA-E9000ES

WARNING

To prevent fire or shock hazard, do not expose the unit to rain or moisture.

Do not install the appliance in a confined space, such as a bookcase or built-in cabinet.

For the customers in United States



This symbol is intended to alert the user to the presence of uninsulated “dangerous voltage” within the product’s enclosure that may be of sufficient magnitude to constitute a risk of electric shock to persons.



This symbol is intended to alert the user to the presence of important operating and maintenance (servicing) instructions in the literature accompanying the appliance.

INFORMATION

This equipment has been tested and found to comply with the limits for a Class B digital device, pursuant to Part 15 of the FCC Rules.

These limits are designed to provide reasonable protection against harmful interference in a residential installation. This equipment generates, uses, and can radiate radio frequency energy and, if not installed and used in accordance with the instructions, may cause harmful interference to radio communications. However, there is no guarantee that interference will not occur in a particular installation. If this equipment does cause harmful interference to radio or television reception, which can be determined by turning the equipment off and on, the user is encouraged to try to correct the interference by one or more of the following measures:

- Reorient or relocate the receiving antenna.
- Increase the separation between the equipment and control amplifier.
- Connect the equipment into an outlet on a circuit different from that to which the control amplifier is connected.
- Consult the dealer or an experienced radio/TV technician for help.

CAUTION

You are cautioned that any changes or modification not expressly approved in this manual could void your authority to operate this equipment.

Note to CATV system installer:

This reminder is provided to call CATV system installer’s attention to Article 820-40 of the NEC that provides guidelines for proper grounding and, in particular, specifies that the cable ground shall be connected to the grounding system of the building, as close to the point of cable entry as practical.

Owner’s Record

The model and serial numbers are located on the rear of the unit. Record the serial number in the space provided below. Refer to them whenever you call upon your Sony dealer regarding this product.

Model No. TA-E9000ES

Serial No. _____

For the customers in Canada

CAUTION

TO PREVENT ELECTRIC SHOCK, DO NOT USE THIS POLARIZED AC PLUG WITH AN EXTENSION CORD, RECEPTACLE OR OTHER OUTLET UNLESS THE BLADES CAN BE FULLY INSERTED TO PREVENT BLADE EXPOSURE.



Precautions

On safety

Should any solid object or liquid fall into the cabinet, unplug the control amplifier and have it checked by qualified personnel before operating it any further.

On power sources

- Before operating the control amplifier, check that the operating voltage is identical with your local power supply. The operating voltage is indicated on the nameplate at the rear of the control amplifier.
- The unit is not disconnected from the AC power source (mains) as long as it is connected to the wall outlet, even if the unit itself has been turned off.
- If you are not going to use the control amplifier for a long time, be sure to disconnect the control amplifier from the wall outlet. To disconnect the AC power cord, grasp the plug itself; never pull the cord.
- AC power cord must be changed only at the qualified service shop.

On placement

- Place the control amplifier in a location with adequate ventilation to prevent heat buildup and prolong the life of the control amplifier.
- Do not place the control amplifier near heat sources, or in a place subject to direct sunlight, excessive dust or mechanical shock.
- Do not place anything on top of the cabinet that might block the ventilation holes and cause malfunctions.

On operation

Before connecting other components, be sure to turn off and unplug the control amplifier.

On cleaning

Clean the cabinet, panel and controls with a soft cloth slightly moistened with a mild detergent solution. Do not use any type of abrasive pad, scouring powder or solvent such as alcohol or benzene.

If you have any question or problem concerning your control amplifier, please consult your nearest Sony dealer.

About This Manual

The instructions in this manual are for model TA-E9000ES. Check your model number by looking at the lower right corner of the front panel. In this manual, the European model is used for illustration purposes unless stated otherwise. Any difference in operation is clearly indicated in the text, for example, "USA/Canada only."

Type of differences

Model	USA/Canada	Europe
TV/DBS inputs and selector	●	
TV inputs and selector		●

Conventions

- The instructions in this manual describe the controls on the control amplifier. You can also use the controls on the supplied remote if they have the same or similar names as those on the control amplifier. For details on the use of your remote, refer to the separate operating instructions supplied with the remote.
- The following icon is used in this manual:
🔍 Indicates hints and tips for making the task easier.

This control amplifier incorporates the Dolby* Digital (AC-3) and Pro Logic Surround systems, the DTS** Digital Surround System, and the MPEG Multichannel Digital Surround System.

* Manufactured under license from Dolby Laboratories. "Dolby", "AC-3", "Pro Logic" and the double-D symbol $\square\square$ are trademarks of Dolby Laboratories. Confidential Unpublished Works. ©1992-1997 Dolby Laboratories, Inc. All rights reserved.

**Manufactured under license from Digital Theater Systems, Inc. US Pat. No. 5,451,942 and other worldwide patents issues and pending. "DTS" and "DTS Digital Surround" are trademarks of Digital Theater Systems, Inc. © 1996 Digital Theater Systems, Inc. All rights reserved.

TABLE OF CONTENTS

Hooking Up the Components 4

- Unpacking 4
- Power Amplifier Hookups 5
- Digital Component Hookups 6
- Audio Component Hookups 8
- Video Component Hookups 9
- Other Hookups 10

Location of Parts and Basic Operations 12

- Front Panel Parts Description 12
- Rear Panel Parts Description 15

Enjoying Surround Sound 16

- Before Using the Control Amplifier 17
- Multi-Channel Surround Setup 18
- Selecting a Sound Field 23
- Understanding the Multi-Channel Surround Displays 27

Settings and Adjustments 29

- Using the Menus 29
- Menu Function Table 30
- Adjusting the Speaker Settings <SP SETUP> 32
- Adjusting the Equalization <EQUALIZER> 32
- Customizing Sound Fields <SURROUND> 34
- Adjusting the Speaker Levels <LEVEL> 35
- Other Settings <CUSTOMIZE> 38

Other Operations 39

- Creating Custom Equalizer Settings 40
- Recording 40
- CONTROL-A1 Control System 41

Additional Information 43

- Troubleshooting 43
- Specifications 45
- Glossary 47
- Video Signal Block Diagram 48
- Index 49

GB

Hooking Up the Components


This chapter describes how to connect various audio and video components to the control amplifier. Be sure to read the sections for the components you have before you actually connect them to the control amplifier.

Unpacking

Check that you received the following items with the unit:

- Audio Cord (3)
- Remote commander RM-TP501E (remote) (1)
- LR6 (size-AA) alkaline batteries (4)
- Coin shaped lithium battery (CR-2032) (1)

Inserting batteries into the remote

Insert four size-AA (LR6) alkaline batteries and one coin shaped lithium battery with the + and – properly oriented in the battery compartment. When using the remote, point it at the remote sensor  on the control amplifier. For details, refer to the operating instructions supplied with your remote.

Notes

- Do not leave the remote in an extremely hot or humid place.
- Do not use new batteries with old ones.
- Do not mix battery types. This remote is designed for use with alkaline batteries only.
- Do not expose the remote sensor to direct sunlight or lighting apparatuses. Doing so may cause a malfunction.
- If you don't use the remote for an extended period of time, remove the batteries to avoid possible damage from battery leakage and corrosion.

Before you get started

- Turn off the power to all components before making any connections.
- Do not connect the AC power cords until all of the connections are completed.
- Be sure to make connections firmly to avoid hum and noise.
- When connecting an audio/video cord, be sure to match the color-coded pins to the appropriate jacks on the components: yellow (video) to yellow; white (left, audio) to white; and red (right, audio) to red.

Power Amplifier Hookups



Connect the rear, center, and front input jacks on your five channel power amplifier (Sony TA-N9000ES etc.) to the control amplifier's pre out jacks. For details, see the operating instructions supplied with your power amplifier.

Connect a powered subwoofer to either of the PRE OUT WOOFER jacks. The same signal is output from both PRE OUT WOOFER jacks.

Required cords

Audio cords (3 cords are supplied)

When connecting a cord, be sure to match the color-coded pins to the appropriate jacks on the components.

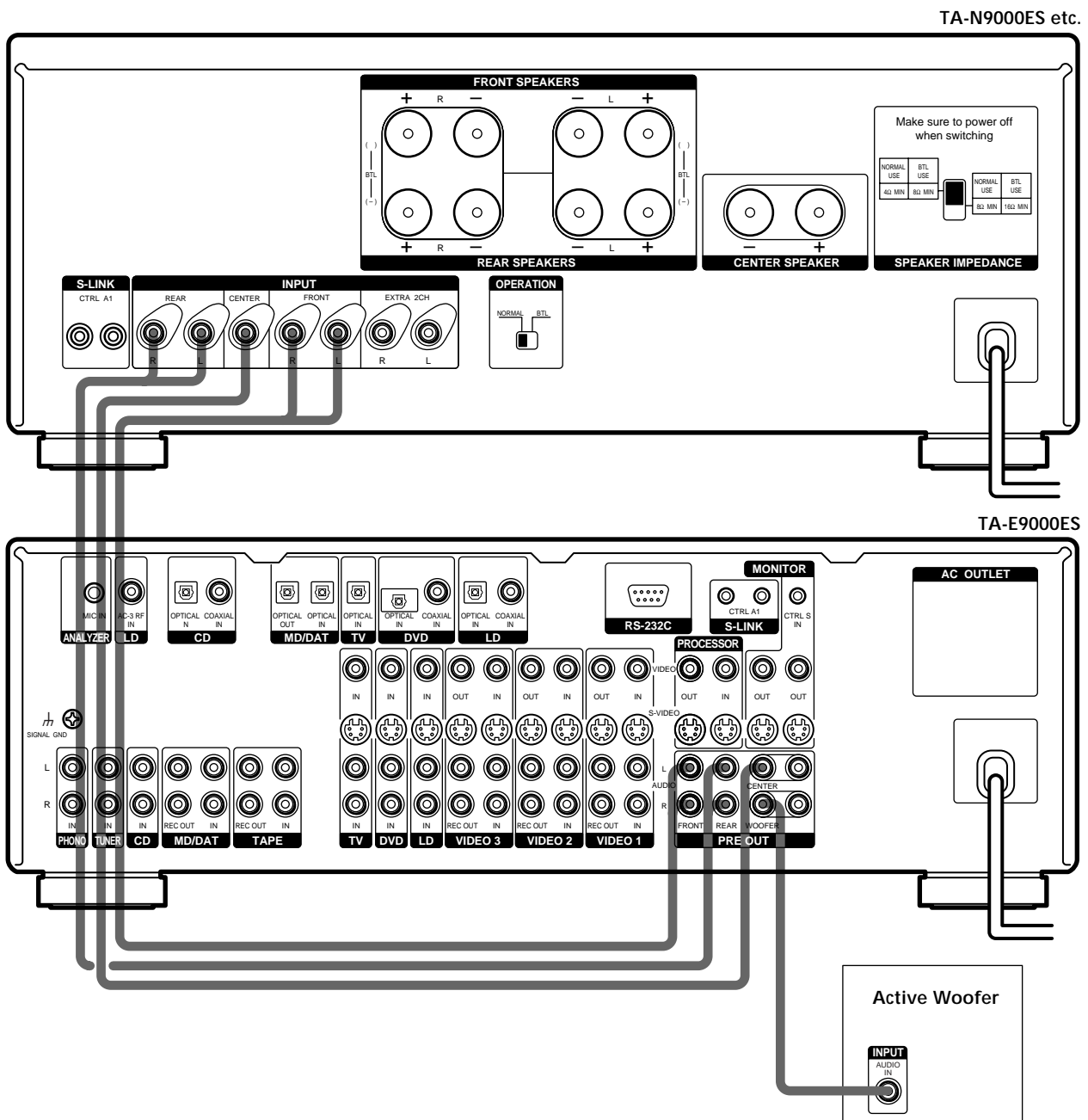
White (L)  White (L)
 Red (R)  Red (R)

Monaural audio cords (not supplied)

For the PRE OUT CENTER and PRE OUT WOOFER jacks.

One of the supplied audio cords may also be pulled apart and used as two separate monaural cords.

Black  Black

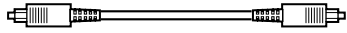


Digital Component Hookups

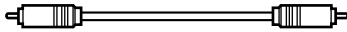
Connect the digital output jacks of your DVD player, LD player, and TV tuner (etc.) to the control amplifier's digital input jacks to bring the multi channel surround sound of a movie theater into your home. If your LD (or LD/DVD) player is equipped with an AC-3 RF OUT jack, be sure to connect it to the control amplifier's LD AC-3 RF IN jack. This allows you to enjoy multi-channel surround when playing LD software encoded with Dolby Digital (AC-3).

Required cords

Optical digital cords (not supplied)


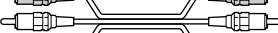

Black  Black

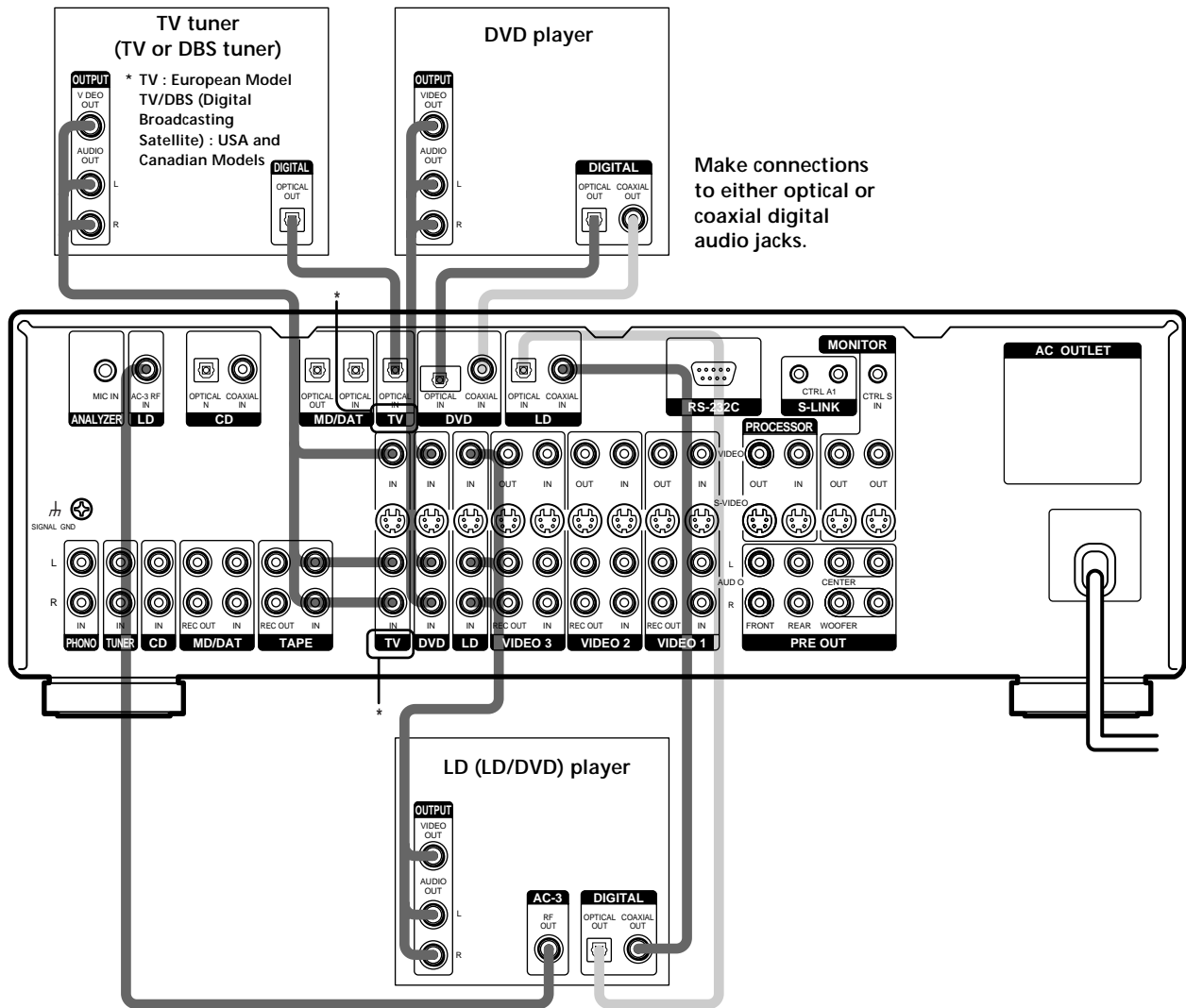
Coaxial digital cord (not supplied)

Yellow  Yellow

Audio/video cords (not supplied)

When connecting a cord, be sure to match the color-coded pins to the appropriate jacks on the components.

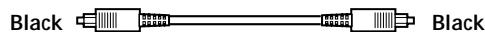
Yellow (video)  Yellow (video)
 White (L/audio)  White (L/audio)
 Red (R/audio)  Red (R/audio)



Connect the digital output jack of your MD or DAT deck to the control amplifier's digital input jack and connect the digital input jack of your MD or DAT deck to the control amplifier's digital output jack. These connections allow you to make digital recordings of CDs and TV broadcasts.

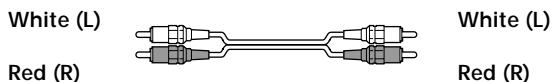
Required cords

Optical digital cords (not supplied)

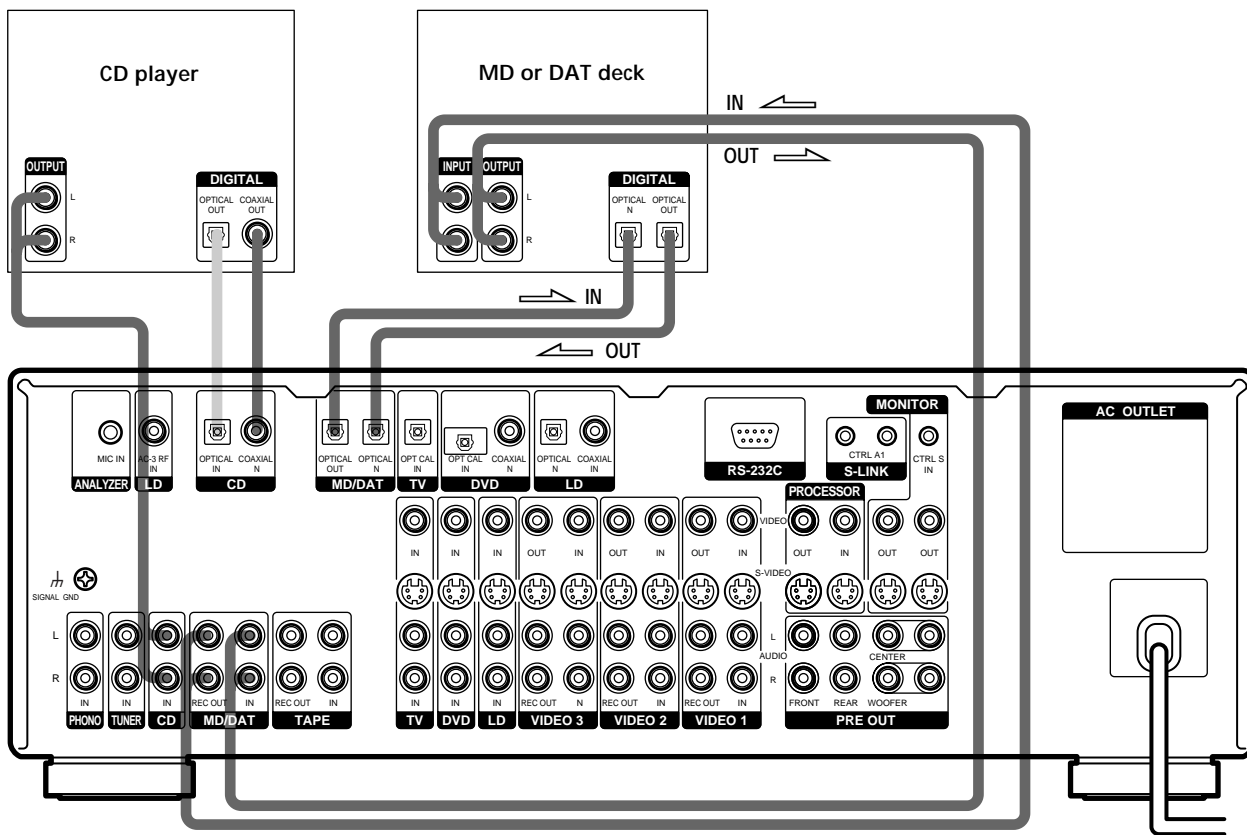


Audio cords (not supplied)

When connecting a cord, be sure to match the color-coded pins to the appropriate jacks on the components.



Make connections to either optical or coaxial digital audio jacks.



Notes

- Please note that you cannot make a digital recording of a digital multi channel surround signal.
- All COAXIAL IN jacks and the DVD OPTICAL IN jack are compatible with 32 kHz, 44.1 kHz, 48 kHz, and 96 kHz sampling frequencies and 24 bit word length. The CD, MD/DAT, and LD OPTICAL IN jacks are not compatible with 96 kHz/24 bit digital signals.
- It is not possible to record analog signals to MD/DAT, TAPE and VIDEO with only digital connections. Be sure to make both digital and analog connections to your digital components.

Audio Component Hookups

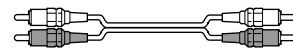
Required cords

Audio cords (not supplied)

When connecting a cord, be sure to match the color-coded pins to the appropriate jacks on the components.

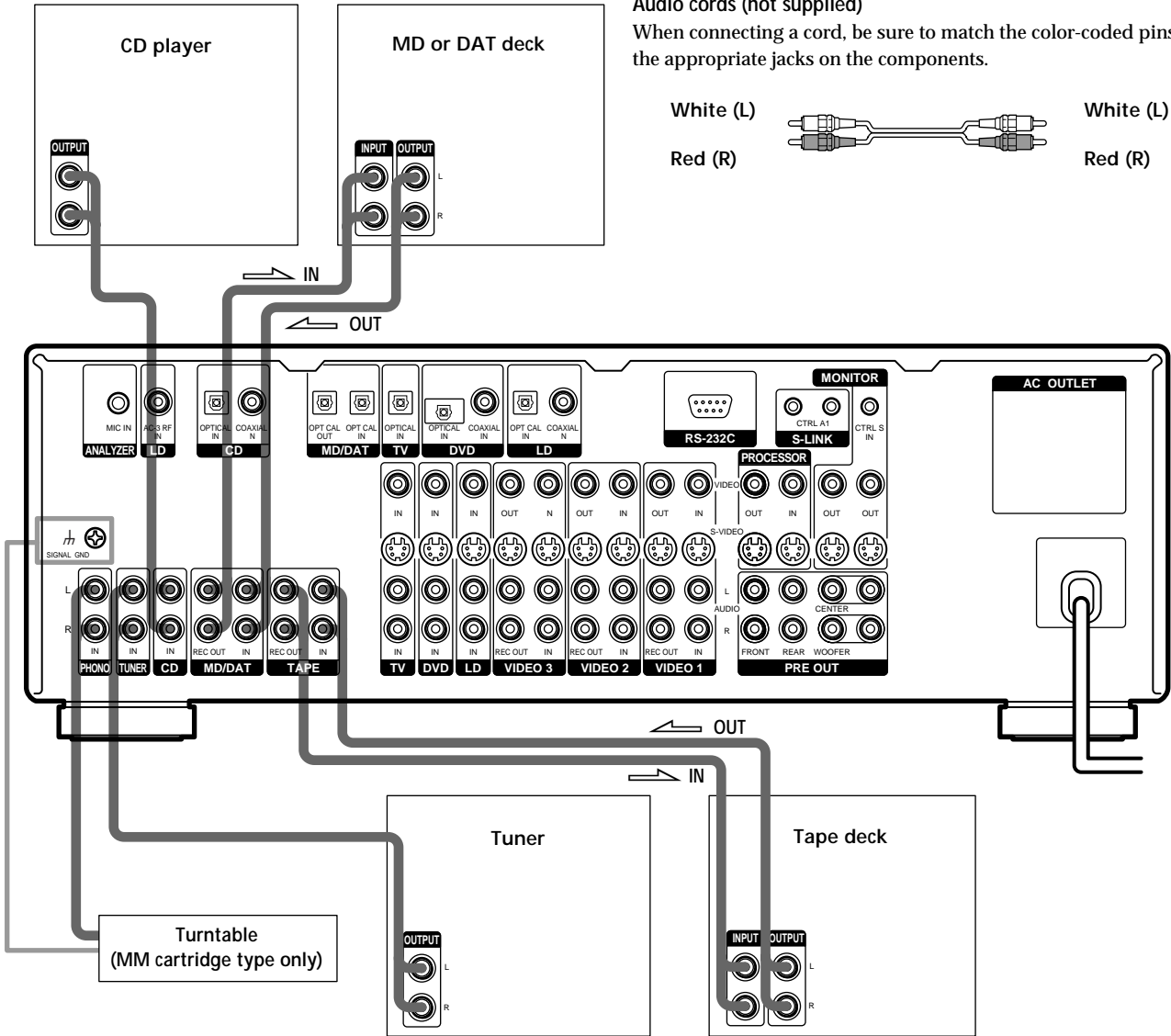
White (L)

Red (R)



White (L)

Red (R)




Note on audio component hookups

If your turntable has a ground wire, connect it to the SIGNAL GND \hbar terminal on the control amplifier.

Video Component Hookups

Note on video component hookups

You can connect your TV's audio output jacks to the TV (TV/DBS) AUDIO IN jacks on the control amplifier and apply sound effects to the audio from the TV. In this case, do not connect the TV's video output jack to the TV (TV/DBS) VIDEO IN jack on the control amplifier. If you are connecting a separate TV tuner, connect both the audio and video output jacks to the control amplifier as shown below.

 To connect equipment that alters the video signal Use the PROCESSOR jacks. You can connect a video titler or processor (etc.). When you output the video signals input to this unit through the PROCESSOR OUT jacks and input the altered signal to the PROCESSOR IN jacks, that signal is output from the MONITOR OUT and VIDEO REC OUT jacks (see the "Video Signal Block Diagram" on page 48 for details). To use the PROCESSOR jacks, set the CUSTOMIZE menu's "V. PROCESSOR" parameter to "ON" (see page 38).




Notes on S-VIDEO jacks

- When using the S-VIDEO jacks instead of the VIDEO jacks, your monitor must also be connected via an S-VIDEO jack. S-video signals are on a separate bus from the video signals and will not be output through the VIDEO jacks.
- The S-VIDEO MONITOR OUT jack on this unit is capable of automatically switching between wide and normal screen formats. To determine whether your video components and/or monitor is compatible with automatic format switching, refer to the instructions supplied with those components.

Required cords

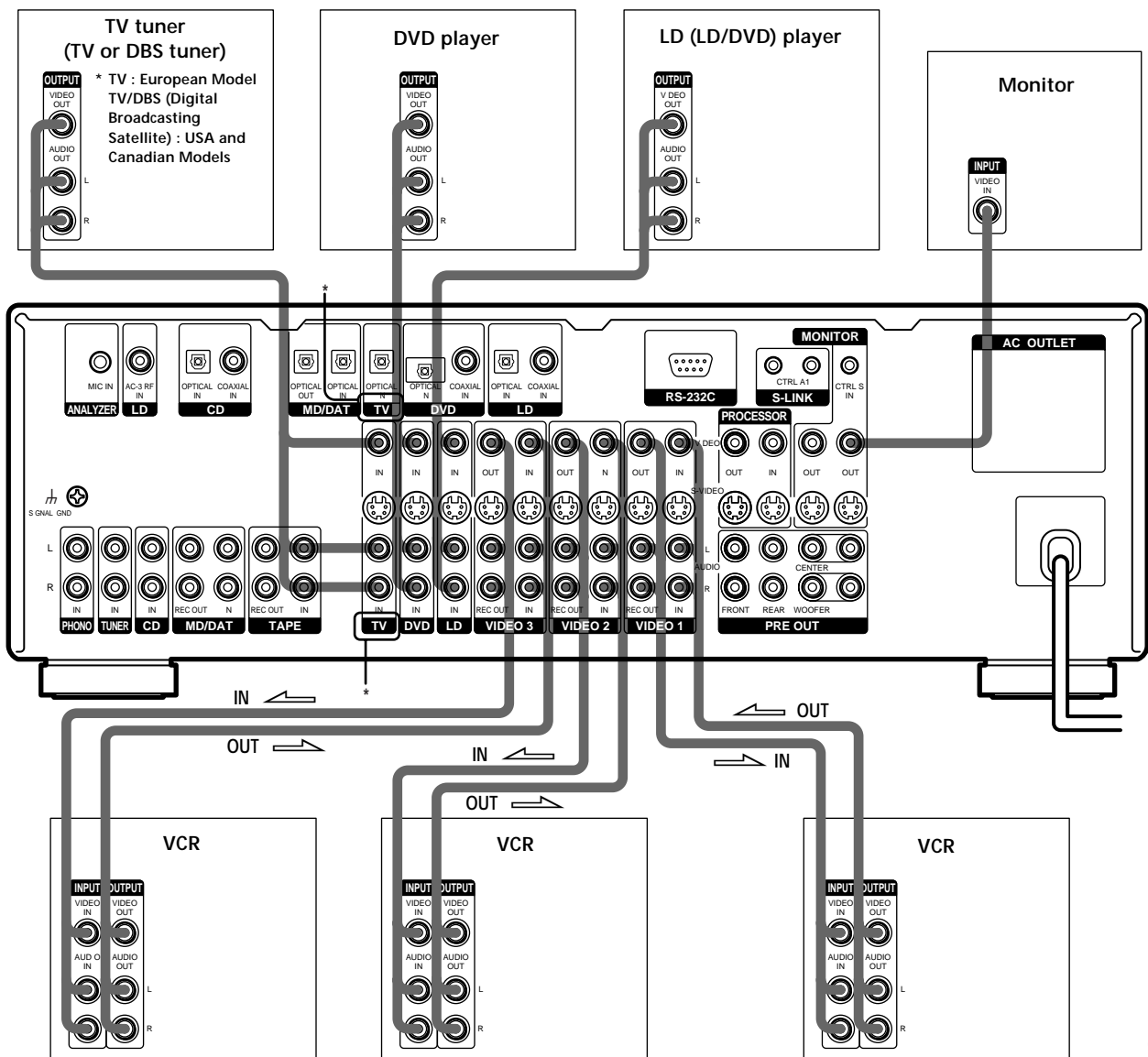
Audio/video cords (not supplied)

When connecting a cord, be sure to match the color-coded pins to the appropriate jacks on the components.

- Yellow (video) 
- White (L/audio) 
- Red (R/audio) 

Video cord for connecting a TV monitor (not supplied)

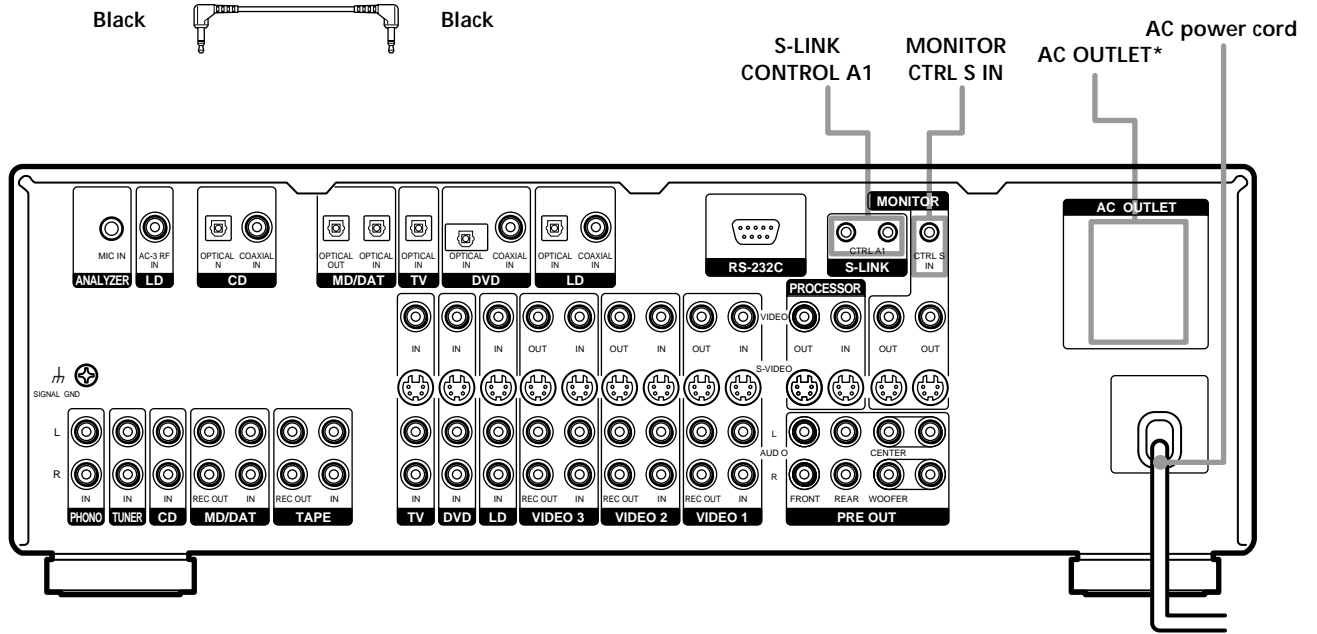
- Yellow 



Other Hookups

Required cords

CONTROL A1 connecting cord (supplied with TA-N9000ES)



* The configuration, shape, and number of AC outlets on the rear panel varies according to the country to which the control amplifier is shipped.

To a wall outlet

S-LINK CONTROL A1 hookup

- **To turn your TA-N9000ES five channel power amplifier ON or OFF automatically when you turn the control amplifier ON or OFF using the supplied remote**
Use a CONTROL A1 cord (supplied with TA-N9000ES) to connect the S-LINK CTRL A1 jack on the five channel power amplifier to the S-LINK CTRL A1 jack on the control amplifier. If you have more than one TA-N9000ES five channel power amplifier, use additional CONTROL A1 cords to connect them to each other. Only one needs to be connected directly to the control amplifier.
See "CONTROL-A1 Control System" on page 41 and the operating instructions supplied with the power amplifier for details.

- **If you have a S-LINK CONTROL A1-compatible Sony CD player, tape deck, or MD deck**
Use a CONTROL A1 cord (not supplied) to connect the S-LINK CTRL A1 jack on the CD player, tape deck, or MD deck to the S-LINK CTRL A1 jack on the control amplifier. See "CONTROL-A1 Control System" on page 41 and the operating instructions supplied with your CD player, tape deck, or MD deck for details.
Note
If you make CONTROL A1 connections from the control amplifier to an MD deck that is also connected to a computer, do not operate the control amplifier while using the "Sony MD Editor" software. This may cause a malfunction.
- **If you have a Sony CD changer with a COMMAND MODE selector**
If your CD changer's COMMAND MODE selector can be set to CD 1, CD 2, or CD 3, be sure to set the command mode to "CD 1" and connect the changer to the CD jacks on the control amplifier.
If, however, you have a Sony CD changer with VIDEO OUT jacks, set the command mode to "CD 2" and connect the changer to the VIDEO 2 jacks on the control amplifier.

MONITOR CTRL S IN hookup (for USA and Canadian models only)

If have a Sony TV monitor equipped with a CTRL S OUT jack

Use a CONTROL S cord (not supplied) to connect the CTRL S OUT jack on the monitor to the MONITOR CTRL S IN jack on the control amplifier. This allows you to turn on your Sony TV monitor automatically when you turn on the control amplifier using the supplied remote control.

Refer to the operating instructions supplied with your Sony TV monitor for details.

Connecting the AC power cord

Before connecting the AC power cord of this control amplifier to a wall outlet:

- Turn the MASTER VOLUME control to the leftmost position (0).

Connect the AC power cord(s) of your audio/video components to wall outlet(s).

If you connect other audio/video components to the AC OUTLET(s) on the control amplifier, the control amplifier will supply power to the connected component(s), allowing you to turn the whole system on or off when you turn the control amplifier on/off.

Caution

Make sure that the total power consumption of the component(s) connected to the control amplifier's AC OUTLET(s) does not exceed the wattage stated on the rear panel. Do not connect high-wattage electrical home appliances such as electric irons, fans, or TVs to this outlet.

Location of Parts and Basic Operations

This chapter provides information about the locations and functions of the buttons and controls on the front panel and the various jacks on the rear panel. It also explains basic operations.

Front Panel Parts Description

1 switch

Press to turn the control amplifier on and off.

- Before you turn on the control amplifier, make sure that you have turned the MASTER VOLUME control to the leftmost position to avoid damaging your speakers.

STANDBY indicator

Lights when the control amplifier is turned off (standby mode) and turns off when the control amplifier is turned on.

2 INPUT SELECTOR control

Turn to select the component you want to use.

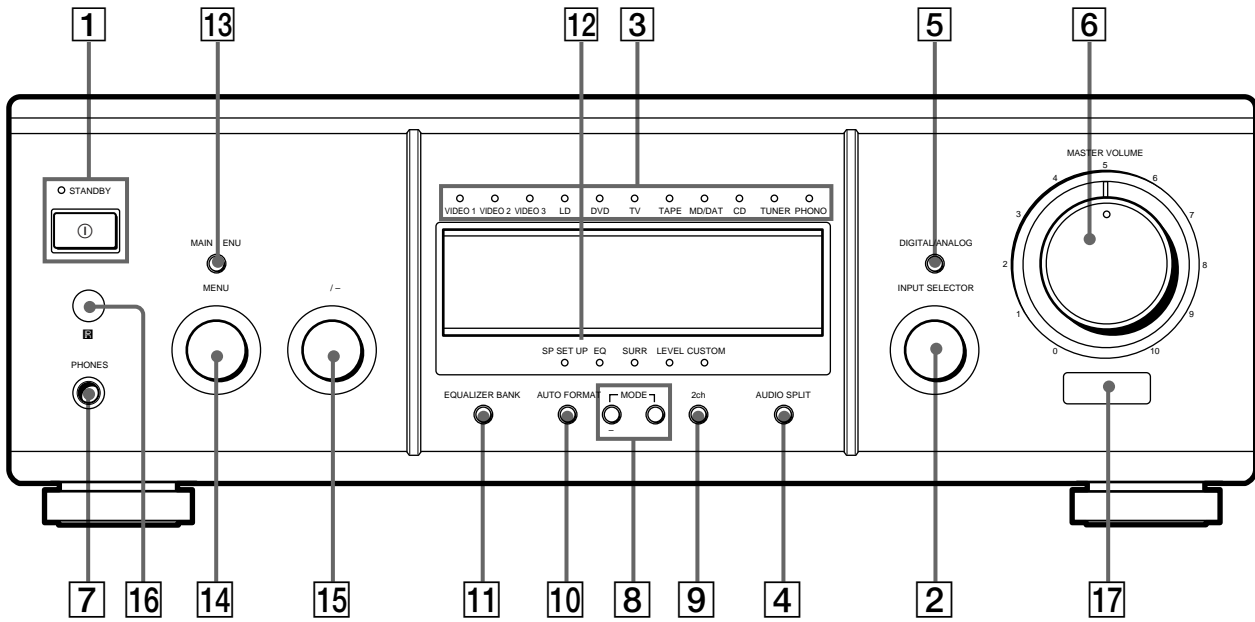
To select	Turn to light
VCR	VIDEO 1, VIDEO 2, or VIDEO 3
LD player	LD
DVD player	DVD
TV tuner	TV (Europe only)
TV or DBS tuner	TV/DBS (USA/Canada only)
Tape deck	TAPE
MD or DAT deck	MD/DAT
CD player	CD
Tuner	TUNER
Turntable	PHONO

After selecting the component, turn on the component you selected and play the program source.

- After selecting VCR, LD player, or DVD player, turn on the TV and set the TV's video input.

3 Input indicators

Light to indicate the current source component(s).



4 AUDIO SPLIT button

Press to select and play another audio source in combination with the selected component.

- 1 Turn INPUT SELECTOR to select a video component.
- 2 Press AUDIO SPLIT repeatedly to select a different audio source or press AUDIO SPLIT once to display the current settings and turn +/- to select the different audio source. The display switches to "V:XXX A:XXX" to show both the video (V:XXX) and audio (A:XXX) sources.

To cancel AUDIO SPLIT

Press and hold AUDIO SPLIT for at least two seconds.

💡 Input indicators

Normally, the indicator above the selected input lights orange. However, when AUDIO SPLIT is used to select a different audio source, the video input lights green and the audio input lights orange.

Note

When using AUDIO SPLIT, the input (digital/analog) of the selected audio source is automatically set to "AUTO" (see "[5] DIGITAL/ANALOG button" for details).

5 DIGITAL/ANALOG button

Press to select either digital or analog audio signals for your digital components (DVD, LD, TV (TV/DBS), CD and MD/DAT).

Each press switches the input of the currently selected component as follows :


Select	To
AUTO	Give priority to digital signals when there are both digital and analog connections. If there are no digital signals, analog is selected. Priority is : ① AC-3 RF ② DIGITAL (OPTICAL) or (COAXIAL) ③ ANALOG
ANALOG	Specify the analog audio signals input to the AUDIO IN (L and R) jacks.
DIGITAL (OPTICAL)	Specify the digital audio signals input to the DIGITAL OPTICAL IN jacks.
DIGITAL (COAXIAL)	Specify the digital audio signals input to the DIGITAL COAXIAL IN jack. (CD, DVD, LD only)
AC-3 RF	Specify the radio frequency signals input to the AC-3 RF IN jack. (LD only)

The DIGITAL/ANALOG button lights up when the INPUT SELECTOR is used to select a component whose input is set to something other than "AUTO".

Front Panel Parts Description

- 6 MASTER VOLUME control**
After turning on the component you selected, turn to adjust the volume.

- 7 PHONES jack**
Use to connect stereo headphones.
Connecting headphones cuts the output from the PRE OUT jacks.


 The PHONES jack on this amplifier can present audio in Virtual Surround
When listening to media recorded in multi-channel audio format (Dolby Digital, Dolby Pro Logic, DVD encoded with DTS, etc.), Virtual Surround simulates the audio playback produced by speakers placed at fixed positions around the listener. When you connect headphones, "V. MOVIE PHONES" appears in the display. Virtual Surround starts automatically with playback of media recorded in a multi-channel audio format. However, pressing 2ch or AUTO FORMAT, or using when the sound field is off presents a 2 channel stereo downmix to the headphones.

- 8 MODE +/- buttons**
Press repeatedly to select the desired sound field.
For details, see "Selecting a Sound Field" on page 23.

- 9 2ch button**
Press to cancel the sound fields and output the sound of the selected source from only the front left and right speakers.
For details, see "SURROUND OFF (2ch)" on page 26.

- 10 AUTO FORMAT button**
Press to set the unit to automatically detect the type of signals being input and perform the proper decoding. This mode presents the sound as it was recorded/encoded without adding any effects.
For details, see "AUTO FORMAT DECODING" on page 26.

- 11 EQUALIZER BANK button**
Press repeatedly to select an equalizer (EQ PRESET 1~5) or turn the equalizer off (EQUALIZER OFF).

 To maintain the highest fidelity to the original source Do the following to bypass the sound field and equalizer circuits.

- 1 Press EQUALIZER BANK to turn off the equalizer.
- 2 • When listening to multi-channel sources, press AUTO FORMAT to turn off the sound field processing.
 - When listening to two channel (stereo) sources, press 2ch to bypass the sound field processing.

The result will be a sound that is highly faithful to the program source.

- 12 Menu indicators**
Light to indicate the menu selected using the MAIN MENU button (**13**).

- 13 MAIN MENU button**
Press this button repeatedly to select any of the following menus. The corresponding menu indicator (**12**) also lights.

When menu is	You can
SP SETUP	Specify speaker sizes, locations and crossover frequencies (page 18).
EQUALIZER	Adjust the equalization (bass/mid/treble) of the front, center and rear speakers or clear equalizer presets from the memory (page 32).
SURROUND	Change the various surround parameters (effect level, wall type, etc.), and adjust the overall tone of the sound field (page 34).
LEVEL	Adjust speaker balance, volume levels, and overall dynamic range, etc (page 35).
CUSTOMIZE	Make a variety of adjustments and customize how the control amplifier operates (page 38).

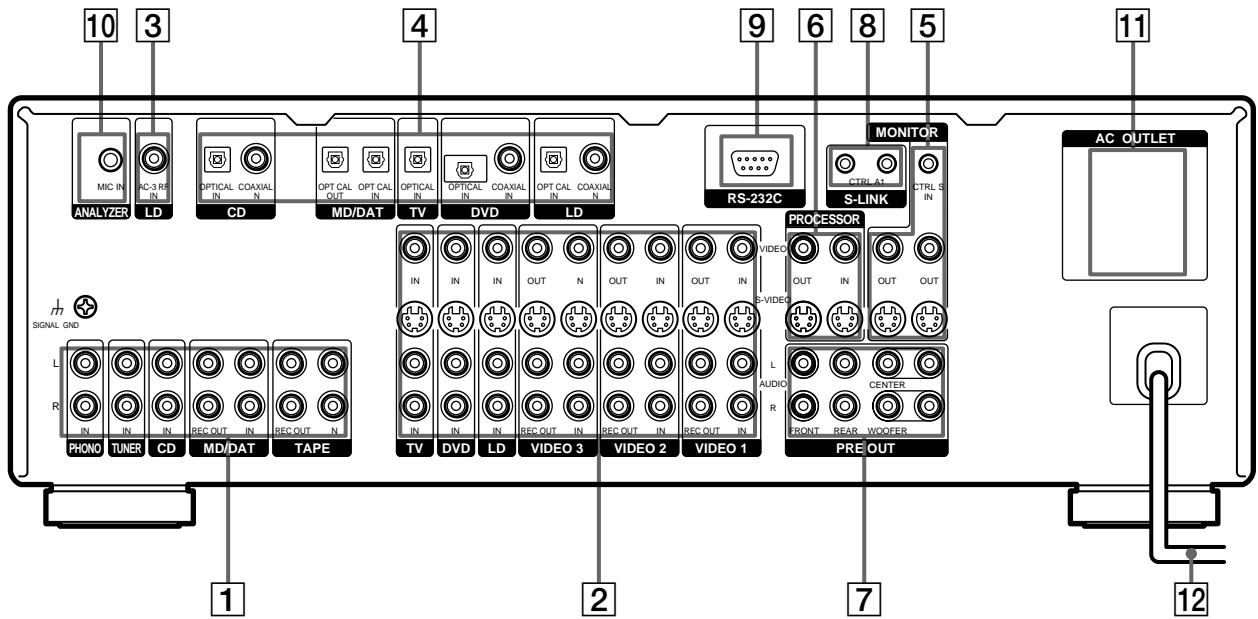
- 14 MENU knob**
Turn to select a parameter from the current menu.

- 15 +/- knob**
Turn to adjust the setting of the current parameter.

- 16 IR receptor**
Receives IR signals emitted by the remote.

- 17 IR emitter**
Emits IR signals to the remote.

Rear Panel Parts Description



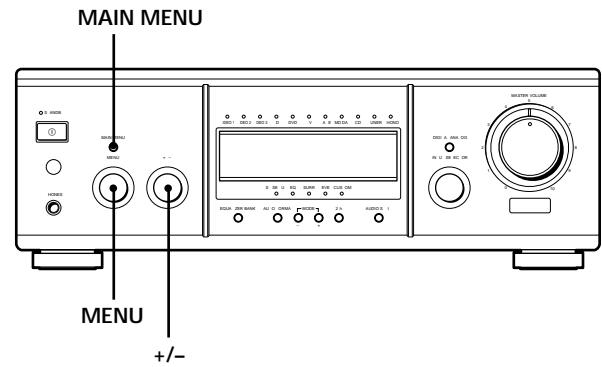
Location of Parts and Basic Operations

- 1 Audio IN and REC OUT jacks**
Connect to the analog audio output and input jacks of your audio components (see page 8).
- 2 Video IN and REC OUT jacks**
Connect to the video and analog audio output and input jacks of your video components (see page 9).
- 3 LD AC-3 RF IN jack**
Connect to the AC-3 RF OUT jack on your LD (LD/DVD) player (see page 6).
- 4 Digital IN and OUT jacks**
Connect to the optical or coaxial digital outputs and inputs of your audio and video components (see pages 6 and 7).
- 5 MONITOR jacks**
Connect to video input on your TV or monitor (see page 9).
- 6 PROCESSOR jacks**
Use to connect a video processor or video titler to alter the video signals input to this unit. For details, see "Video Component Hookups" on page 9 and "Video Signal Block Diagram" on page 48. To use the PROCESSOR jacks, set the CUSTOMIZE menu's "V. PROCESSOR" parameter to "ON" (see page 38).
- 7 PRE OUT jacks**
Connect to your power amplifier(s) (see page 5).
- 8 S-LINK jacks**
Use to connect other Sony components (see page 10).
- 9 RS-232C jack**
For use with future upgrades.
- 10 ANALYZER jack**
For use with future upgrades.
- 11 AC OUTLET jack(s)**
The power supplied by the switched outlet(s) turns on and off simultaneously with the power of the control amplifier.
- 12 AC power cord**
Connect to a wall outlet.

Enjoying Surround Sound

This chapter describes how to position each speaker, and how to set up your speakers to enjoy multi channel surround sound.

It also explains how to set up the control amplifier to enjoy surround sound. You can enjoy multi channel surround when playing back software encoded in the Dolby Digital, DTS, or MPEG formats.




Brief descriptions of buttons used to set up the speaker system

MAIN MENU button: Press repeatedly to select the desired menu (<SP SETUP>, etc.).

MENU knob: Turn to select a parameter from the current menu.

+/- knob: Turn to adjust the selected parameter.

Speaker Setup

- 1 Press  to turn on the control amplifier.
- 2 Press MAIN MENU repeatedly to display "<SP SETUP>".
- 3 Turn MENU to select the parameter you want to adjust.
- 4 Turn +/- to select the setting you desire. The new setting becomes effective and is stored automatically. For details regarding the various settings available from each parameter, see pages 18–22.

Before Using the Control Amplifier

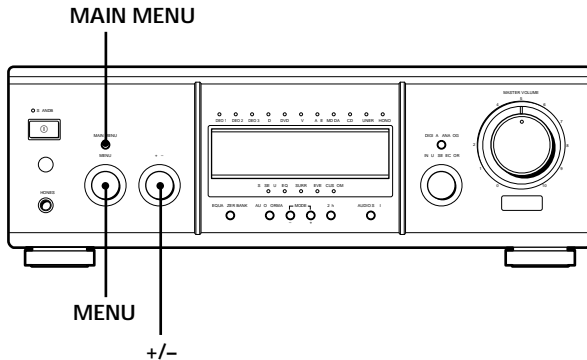
Before turning on the control amplifier

Make sure that you have:

- Turned MASTER VOLUME to the leftmost position (0).

Clearing the control amplifier's memory

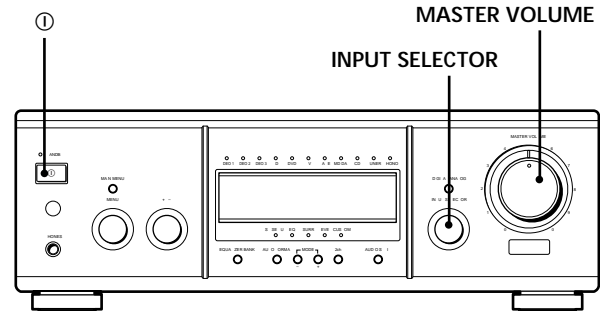
Before you use your control amplifier for the first time or when you want to clear the control amplifier's memory, do the following.



- 1 Press MAIN MENU repeatedly to display "<CUSTOMIZE>".
- 2 Turn MENU to display "MEMORY CLEAR [NO]".
- 3 Turn +/- to display "MEMORY CLEAR [YES]". After a few seconds, "Are you sure?" is displayed. Turn +/- to display [YES] again and wait a few seconds. The unit automatically turns off, and then turns on again. All of the followings are reset to the factory settings or cleared.
 - All menu adjustments (speaker settings, equalizer settings, sound field parameters, etc.).
 - The equalizer settings in the equalizer bank.

Checking the connections

After connecting all of your components to the control amplifier, do the following to verify that the connections were made correctly.



- 1 Press ① to turn on the control amplifier.
- 2 Turn INPUT SELECTOR to select a component (program source) that you connected (e.g., CD player or tape deck).
- 3 Turn on the component and start playing it.
- 4 Turn MASTER VOLUME to increase the volume.

If you do not obtain normal sound output after performing this procedure, look for the reason in the following checklist and take the appropriate measures to correct the problem.

There is no sound no matter which component is selected.

- ➔ Check that the control amplifier, the power amplifier(s), and all components are turned on.
- ➔ Check that the MASTER VOLUME control is not set to 0.
- ➔ If "MUTING" appears in the display, press MUTING on the remote to turn off the muting function.

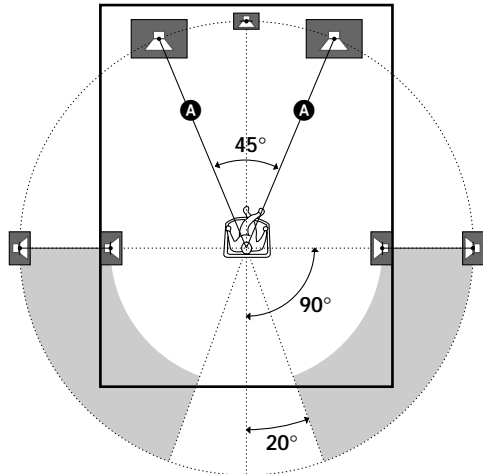
There's no sound from a specific component.

- ➔ Check that the component is connected correctly to the audio input jacks for that component.
- ➔ Check that the cord(s) used for the connection is (are) fully inserted into the jacks on both the control amplifier and the component.

If you encounter a problem that is not included above, see "Troubleshooting" on page 43.

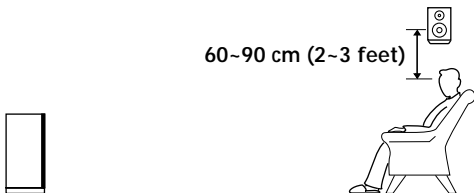
Multi-Channel Surround Setup

For the best possible surround sound all speakers should be the same distance from the listening position (A). Ideal placement of the rear speakers is at the side of the listening position in the region within the shaded area shown in the illustration below. Even when speakers cannot all be placed at equal distances from the listening position, it is possible to place speakers (including the sub woofer) at a distances of 1 ~ 12 m (3 ~ 40 feet) from the listening position. If this is the case, by accurately setting the distance of each speaker, the amplifier can automatically adjust the audio output to produce an ideal surround sound effect.

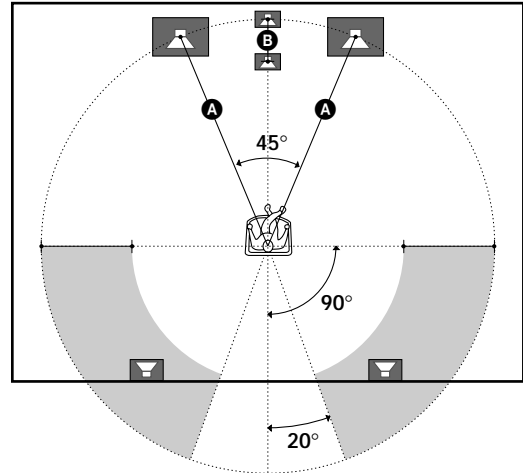


Notes

- The difference in distance of the nearest and farthest speakers from the listening position should not exceed 8.4 m (27 feet).
- When mounting rear speakers at the sides of the listening position, ideal speaker height is about 60 ~ 90 cm (2 ~ 3 feet) above ear height.



Depending on the shape of your room (etc.), you may wish to place the rear speakers behind you instead of on the side walls (the shaded area). One advantage of this placement is that you can use a pair of large floor standing speakers that match your front speakers.



Note

If you place the rear speakers behind you, be sure to check the speaker location setting in the SP SETUP menu when using any of the "VIRTUAL" sound fields (see pages 20, 23 and 24 for details).

Speaker Setup

- 1 Press **ⓘ** to turn on the control amplifier.
- 2 Press **MAIN MENU** repeatedly to display "<SP SETUP>".
- 3 Turn **MENU** to select the parameter you want to adjust.
- 4 Turn **+/-** to select the setting you desire. The new setting becomes effective and is stored automatically.
- 5 Repeat steps 3 and 4 to set all of the following parameters. The menu turns off when you operate any of the other buttons or knobs.

■ Front speaker size

FRONT SP [LARGE]

Initial setting : LARGE

- If you connect large speakers that will effectively reproduce bass frequencies, select “LARGE”. Normally, select “LARGE”.
- If the sound is distorted, or you feel a lack of surround effects when using multi-channel surround sound, select “SMALL” to activate the bass redirection circuitry and output the front channel bass frequencies from the sub woofer.

■ Center speaker size

CENTER SP [LARGE]

Initial setting : LARGE

- If you connect a large speaker that will effectively reproduce bass frequencies, select “LARGE”. Normally, select “LARGE”.
- If the sound is distorted, or you feel a lack of surround effects when using multi-channel surround sound, select “SMALL” to activate the bass redirection circuitry and output the center channel bass frequencies from the front speakers (if set to “LARGE”) or sub woofer.^{*1}
- If you do not connect the center speaker, select “NO”. The sound of the center channel will be output from the front speakers.^{*2}

■ Rear speaker size

REAR SP [LARGE]

Initial setting : LARGE

- If you connect large speakers that will effectively reproduce bass frequencies, select “LARGE”. Normally, select “LARGE”.
- If the sound is distorted, or you feel a lack of surround effects when using multi-channel surround sound, select “SMALL” to activate the bass redirection circuitry and output the rear channel bass frequencies from the sub woofer or other “LARGE” speakers.
- If you do not connect rear speakers, select “NO”. The sound of the rear channel will be output from the front speakers.^{*3}



*1~*3 correspond to the following Dolby Pro Logic modes

*1 NORMAL

*2 PHANTOM

*3 3 STEREO

(*2 + *3 = 2ch mode).



About speaker sizes (LARGE and SMALL)

Internally, the LARGE and SMALL settings for each speaker determine whether or not the internal sound processor will cut the bass signal from that channel. When the bass is cut from a channel, the bass redirection circuitry sends the corresponding bass frequencies to the sub woofer or other “LARGE” speaker. However, since bass sounds have a certain amount of directionality it best not to cut them, if possible. Therefore, even when using small speakers, you can set them to “LARGE” if you want to output the bass frequencies from that speaker. On the other hand, if you are using a large speaker, but prefer not to have bass frequencies output from that speaker, set it to “SMALL”.

If the overall sound level is lower than you prefer, set all speakers to “LARGE”. If there is not enough bass, you can use the equalizer to boost the bass levels. To adjust the equalizer, see page 32.

■ Sub woofer selection

SUB WOOFER [YES]

Initial setting : YES

- If you connect a sub woofer, select “YES”.
- If you do not connect a sub woofer, select “NO”. This activates the bass redirection circuitry and outputs the LFE signals from other speakers.
- In order to take full advantage of the bass redirection circuitry, we recommend setting the sub woofer’s cut off frequency as high as possible.

■ Front speaker distance

FRONT XX.X meter

Initial setting : 5.0 meter

Set the distance from your listening position to the front (left or right) speaker (A on page 18).

- Front speaker distance can be set in 0.1 meter (1 foot) steps from 1.0 to 12.0 meters (3 to 40 feet).
- If both speakers are not placed an equal distance from your listening position, set the distance to the closest speaker.

Multi-Channel Surround Setup

■ Center speaker distance

CENTER XX.X meter

Initial setting : 5.0 meter

Set the distance from your listening position to the center speaker.

- Center speaker distance can be set in 0.1 meter (1 foot) steps from 1.0 to 12.0 meters (3 to 40 feet).

■ Rear speaker distance

REAR XX.X meter

Initial setting : 3.5 meter

Set the distance from your listening position to the rear (left or right) speaker.

- Rear speaker distance can be set in 0.1 meter (1 foot) steps from 1.0 to 12.0 meters (3 to 40 feet).
- If both speakers are not placed an equal distance from your listening position, set the distance to the closest speaker.

💡 About speaker distances

Please note that, setting the speaker distance closer than the actual location of the speakers will cause a delay in the output of the sound from that speaker. In other words, the speaker will sound like it is farther away.

For example, setting the center speaker distance 1~2 m (3~6 feet) closer than the actual speaker position will create a fairly realistic sensation of being "inside" the screen. If you cannot obtain a satisfactory surround effect because the rear speakers are too close, setting the rear speaker distance closer (shorter) than the actual distance will create a larger soundstage.

Adjusting these parameter while listening to the sound often results in much better surround sound. Give it a try!

■ Sub woofer distance

S.W XX.X meter

Initial setting : 5.0 meter

Set the distance from your listening position to the sub woofer.

- Sub woofer distance can be set in 0.1 meter (1 foot) steps from 1.0 to 12.0 meters (3 to 40 feet).

■ Sub woofer phase polarity

S.W PHASE [NORMAL]

Initial setting : NORMAL

Set the sub woofer phase polarity.

There is usually no problem when the sub woofer phase polarity is set to "NORMAL". However, depending on the type of front speakers, the position of the sub woofer, and the cut-off frequency of the sub woofer, setting the phase polarity to "REVERSE" may produce better bass.

Besides bass reproduction, the richness and tightness of the overall sound may also be affected. While listening from the main listening position, select the setting that best suits your environment.

■ Rear speaker position*

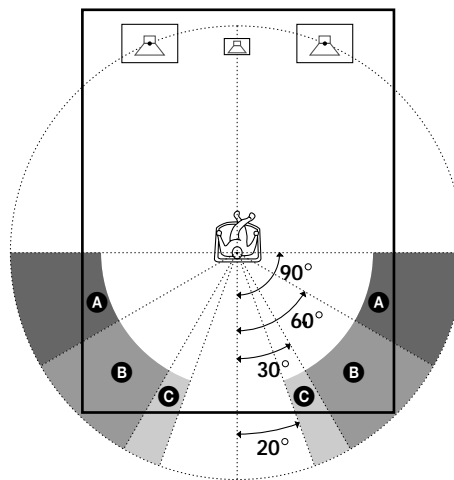
REAR POSI. [BEHIND]

Initial setting : BEHIND

This parameter lets you specify the location of your rear speakers for proper implementation of the Digital Cinema Sound "VIRTUAL" sound fields. Refer to the illustration below.

- Select "SIDE" if the location of your rear speakers corresponds to section **A**.
- Select "MIDDLE" if the location of your rear speakers corresponds to section **B**.
- Select "BEHIND" if the location of your rear speakers corresponds to section **C**.

This setting only effects the "VIRTUAL" sound fields.



* This parameter is not available when "Rear speaker size" is set to "NO".

■ Rear speaker height*

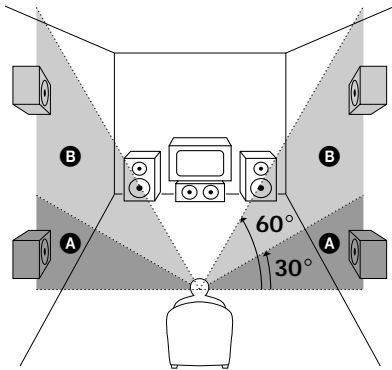
REAR HIGHT [LOW]

Initial setting : LOW

This parameter lets you specify the height of your rear speakers for proper implementation of the Digital Cinema Sound “VIRTUAL” sound fields. Refer to the illustration below.

- Select “LOW” if the location of your rear speakers corresponds to section **A**.
- Select “HIGH” if the location of your rear speakers corresponds to section **B**.

This setting only effects the “VIRTUAL” sound fields.



* This parameter is not available when “Rear speaker size” is set to “NO”.



About the rear speaker position and rear speaker height

These settings are designed specifically for implementation of the Digital Cinema Sound “VIRTUAL” sound fields.

The rear speaker position parameter allows you to specify one of three possible horizontal positions. The rear speaker height parameter allows you to specify one of two possible height positions. Select the position and height combination that comes closest to the actual position of your rear speakers.

■ Front speaker roll off frequency

FRONT SP > XXXHz

Initial setting : > 80 Hz

This setting lets you select the roll off frequency for the low cut filter of the front (left and right) speakers.

- The bass frequencies lower than the cut off frequency are divided by the bass redirection circuitry and output from the sub woofer or other “LARGE” speakers. In order to prevent clipping, frequencies below the cut off frequency are not output from the front speakers.

■ Center speaker roll off frequency

CENTER SP > XXXHz

Initial setting : > 80 Hz

This setting lets you select the roll off frequency for the low cut filter of the center speaker.

- The bass frequencies lower than the cut off frequency are divided by the bass redirection circuitry and output from the sub woofer or other “LARGE” speakers. In order to prevent clipping, frequencies below the cut off frequency are not output from the center speaker.

■ Rear speaker roll off frequency

REAR SP > XXXHz

Initial setting : > 80 Hz

This setting lets you select the roll off frequency for the low cut filter of the rear (left and right) speakers.

- The bass frequencies lower than the cut off frequency are divided by the bass redirection circuitry and output from the sub woofer or other “LARGE” speakers. In order to prevent clipping, frequencies below the cut off frequency are not output from the rear speakers.

About the roll off frequency parameters

These parameters are designed to allow you to prevent clipping by eliminating output of low-bass frequencies from “SMALL” speakers. Be sure to set the roll off frequency so that clipping does not occur from the respective speaker.

■ Distance unit

DIST.UNIT [meter]


Initial setting : (depends on where unit was purchased)


Lets you select either feet or meters as the unit of measure for setting distances. 1 foot corresponds to a 1 ms difference.

Adjusting the speaker volume


Use the remote while seated in your listening position to adjust the volume of each speaker.

For more information regarding remote control operations, refer to the separate manual “Remote Commander” supplied with this unit.

- 1 Press  to turn on the control amplifier.
- 2 Touch SOUND FIELD on the supplied remote to display the SOUND FIELD screen.
- 3 Touch LEVEL on the supplied remote to display the LEVEL screen.
- 4 Touch TEST TONE on the supplied remote. You will hear the test tone from each speaker in sequence.
- 5 Adjust the volume level so that the volume of the test tone from each speaker sounds the same when you are in your main listening position.
 - To adjust the balance of the front right and front left speakers, use the front balance controls on the remote (or FRONT (L/R) in the LEVEL menu (page 35)).
 - To adjust the balance of the rear right and rear left speakers, use the rear balance control in the remote (or REAR (L/R) in the LEVEL menu (page 35)).
 - To adjust the volume level of the center speaker, use the center level control on the remote (or CENTER LEVEL in the LEVEL menu (page 35)).
 - To adjust the volume level of the rear speakers, use the rear level control on the remote (or REAR LEVEL in the LEVEL menu (page 35)).
- 6 Touch EXIT on the remote again to turn off the test tone.

 You can adjust the volume level of all speakers at the same time

Turn MASTER VOLUME on the main unit or touch MASTER VOLUME +/- on the remote.

 You can output the test tone from the speaker of your choice
Normally, the test tone is output from each speaker in sequence. However, you can use the LEVEL menu to output the test tone from one specific speaker (see page 35).

Notes

- The rear balance, center level, and rear level are shown in the display during adjustment.
- Although these adjustments can also be made via the front panel using the parameters in the LEVEL menu (when the test tone is output, the unit switches to the LEVEL menu automatically), we recommend you follow the procedure described above and adjust the speaker levels from your listening position using the remote control.

When setting the volume levels for each speaker

Let's assume that you have matched the sound levels of all the speakers using the test tone. Although this lays the foundation for high quality surround sound, it may be necessary to make further adjustments while listening to playback of actual software. This is because most software contains center and rear channels recorded at slightly lower levels than the two front channels.

When you actually playback software recorded in multi channel surround you will notice that increasing the center and rear speaker levels produces a better blend between the front and center speakers and greater cohesion between the front and rear speakers. Increasing the level of the center speaker about 1 dB, and the rear speakers about 1~2 dB is likely to produce better results.

In other words, in order to create a more cohesive soundstage with balanced dialog, we recommend that you make some adjustments while playing your software. Changes of only 1 dB can make a huge difference in the character of the soundstage.

Selecting a Sound Field

You can enjoy surround sound simply by selecting one of the pre-programmed sound fields according to the program you want to listen to.


Press MODE +/- repeatedly to select the sound field you desire.

The current sound field is indicated in the display. See the table starting on the following page for information on each sound field.

To turn the sound field off

Press the 2ch or AUTO FORMAT button on the front panel. For details, see page 26.

You can identify Dolby Surround-encoded software by looking at the packaging

Use discs with the  logo. In order to enjoy Dolby Digital (AC-3) playback you must use discs bearing this logo.

Sound signals with a sampling frequency of 96 kHz are converted to signals with a sampling frequency of 48 kHz before processing by the sound fields

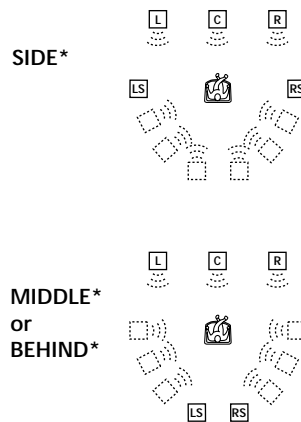
When using the 2ch or AUTO FORMAT DECODING modes, sound signals with a sampling frequency of 96 kHz are played back without conversion.

You can enjoy surround sound while listening to headphones

The PHONES jack on this amplifier can present audio in Virtual Surround. For details, see page 14.

Selecting a Sound Field

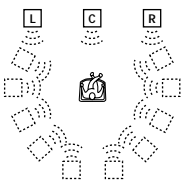
Sound field	Effect	Notes
NORMAL SURROUND	Software with multi channel surround audio signals is played according to the way it was recorded. Software with 2 channel audio signals, is decoded with Dolby Pro Logic to create surround effects.	
CINEMA STUDIO A	Reproduces the sound characteristics of the Sony Pictures Entertainment "Cary Grant Theater" cinema production studio.	This is a standard mode, great for watching most any type of movie.
CINEMA STUDIO B	Reproduces the sound characteristics of the Sony Pictures Entertainment "Kim Novak Theater" cinema production studio.	This mode is ideal for watching science-fiction or action movies with lots of sound effects.
CINEMA STUDIO C	Reproduces the sound characteristics of the Sony Pictures Entertainment scoring stage.	This mode is ideal for watching musicals or classic films where music is featured in the soundtrack.
NIGHT THEATER	Allows you to retain a theater like environment while listening at low volume levels, such as late at night.	
MONO MOVIE	Creates a theater like environment from movies with monaural soundtracks.	
STEREO MOVIE	Creates a theater like environment from movies recorded with stereo soundtracks	
VIRTUAL MULTI REAR	Uses 3D sound imaging to create 3 sets of virtual rear speakers from 1 set of actual rear speakers.	



* See page 20

Sound field	Effect	Notes
VIRTUAL MULTI DIMENSION	Uses 3D sound imaging to create an array of virtual rear speakers positioned higher than the listener from a single pair of actual rear speakers. This mode creates 5 sets of virtual speakers surrounding the listener at approximately a 30° angle of elevation.	<p>SIDE*</p>
VIRTUAL THEATER A	Adds the 3D sound imaging of VIRTUAL MULTI DIMENSION to CINEMA STUDIO A. Reproduces the sound characteristics of the “Cary Grant Theater” and creates 5 sets of virtual speakers surrounding the listener (at approximately a 30° angle of elevation) from a single pair of actual rear speakers.	<p>MIDDLE*</p>
VIRTUAL THEATER B	Adds the 3D sound imaging of VIRTUAL MULTI DIMENSION to CINEMA STUDIO B. Reproduces the sound characteristics of the “Kim Novak Theater” and creates 5 sets of virtual speakers surrounding the listener (at approximately a 30° angle of elevation) from a single pair of actual rear speakers.	<p>BEHIND*</p>
VIRTUAL THEATER C	Adds the 3D sound imaging of VIRTUAL MULTI DIMENSION to CINEMA STUDIO C. Reproduces the sound characteristics of the scoring stage and creates 5 sets of virtual speakers surrounding the listener (at approximately a 30° angle of elevation) from a single pair of actual rear speakers.	<p>* See page 20</p>
VIRTUAL ENHANCED A	Uses 3D sound imaging to create 3 sets of virtual rear speakers from the sound of the front speakers without using actual rear speakers.	
VIRTUAL ENHANCED B	Uses 3D sound imaging to create 1 set of virtual rear speakers from the sound of the front speakers without using actual rear speakers.	
VIRTUAL SEMI-MULTI DIMENSION	Uses 3D sound imaging to create virtual rear speakers from the sound of the front speakers without using actual rear speakers. This mode creates 5 sets of virtual speakers surrounding the listener at a 30° angle of elevation.	
VIRTUAL SEMI-THEATER A	Adds the 3D sound imaging of VIRTUAL SEMI-MULTI DIMENSION to CINEMA STUDIO A. Reproduces the sound characteristics of the “Cary Grant Theater” and creates 5 sets of virtual speakers surrounding the listener at a 30° angle of elevation from the sound of the front speakers without using actual rear speakers.	

Selecting a Sound Field

Sound field	Effect	Notes
VIRTUAL SEMI-THEATER B	Adds the 3D sound imaging of VIRTUAL SEMI-MULTI DIMENSION to CINEMA STUDIO B. Reproduces the sound characteristics of the “Kim Novak Theater” and creates 5 sets of virtual speakers surrounding the listener at a 30° angle of elevation from the sound of the front speakers without using actual rear speakers.	
VIRTUAL SEMI-THEATER C	Adds the 3D sound imaging of VIRTUAL SEMI-MULTI DIMENSION to CINEMA STUDIO C. Reproduces the sound characteristics of the scoring stage and creates 5 sets of virtual speakers surrounding the listener at a 30° angle of elevation from the sound of the front speakers without using actual rear speakers.	
SMALL HALL	Reproduces the acoustics of a small rectangular concert hall.	Ideal for soft acoustic sounds.
LARGE HALL	Reproduces the acoustics of a large rectangular concert hall.	
OPERA HOUSE	Reproduces the acoustics of an opera house.	Ideal for musicals and opera.
JAZZ CLUB	Reproduces the acoustics of a jazz club.	
DISCO/CLUB	Reproduces the acoustics of a discotheque/dance club.	
CHURCH	Reproduces the acoustics of a stone church.	
LIVE HOUSE	Reproduces the acoustics of a 300-seat live house.	Great for rock or pop music.
ARENA	Reproduces the acoustics of a 1000-seat concert hall.	
STADIUM	Reproduces the feeling of a large open-air stadium.	Great for sporting events or electric (amplified) music.
GAME	Obtains maximum audio impact from video game software.	Be sure to set the game machine to stereo mode when using game software with stereo sound capabilities.

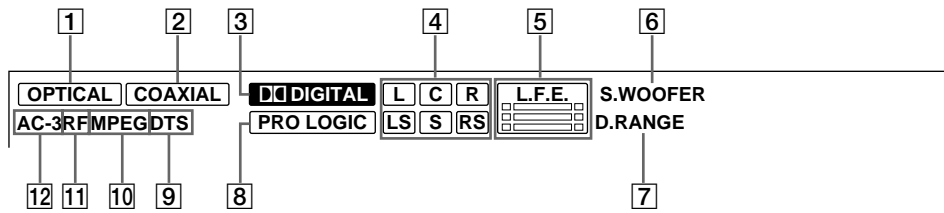
Notes

- The effects provided by VIRTUAL THEATER A, B, and C sound fields may cause increased noise in the playback signal.
- When listening to the “VIRTUAL” sound fields, you will not be able to hear any sounds coming directly from the rear speakers.

Use the buttons on the front panel to operate the following modes

SURROUND OFF (2ch) (Press the “2ch” button)	Outputs the sound from the front left and right speakers only. Standard two channel (stereo) sources completely bypass the sound field processing. Multi-channel surround formats are downmixed to two channels.	This allows you to play any source using only the front left and right speakers.
AUTO FORMAT DECODING (Press the “AUTO FORMAT” button)	Automatically detects the type of audio signal being input (Dolby Digital, DTS, MPEG, Dolby Pro Logic, or standard 2-channel stereo) and performs the proper decoding if necessary. This mode presents the sound as it was recorded/encoded, without adding any effects.	You can use this mode as a reference. Set the equalizer to OFF while using this mode to hear the source sound exactly as it was recorded.

Understanding the Multi-Channel Surround Displays



- 1** OPTICAL
Lights up when the source signal is a digital signal being input through the OPTICAL terminal.
- 2** COAXIAL
Lights up when the source signal is a digital signal being input through the COAXIAL terminal.
- 3** DIGITAL
This indicator lights when the sound field is on and the unit is decoding signals recorded in the Dolby Digital (AC-3) format.
- 4** Playback channel indicators
The letters light to indicate the channels being played back.
L: Front Left R: Front Right
C: Center (monaural) LS: Left Surround
RS: Right Surround
S: Surround (monaural or the rear components obtained by Pro Logic processing)
The boxes around the letters light to indicate the speakers used to playback the channels.
See the next page for details regarding the playback channel indicators.
- 5** L.F.E.
The letters "L.F.E." light up when the disc being played contains the LFE (Low Frequency Effect) channel. When the sound of the LFE channel signal is actually being reproduced, the bars underneath the letters lights up to indicate the level. Since the LFE signal is not recorded in all parts of the input signal the bar indication will fluctuate (and may turn off) during playback.
- 6** S.WOOFER
Lights when the sub woofer selection is set to "YES" and sound is being output from the sub woofer.
- 7** D. RANGE
Lights when dynamic range compression is active. See page 36 to adjust the dynamic range compression.
- 8** PRO LOGIC
Lights when this unit applies Pro Logic processing to two channel signals in order to output the center and surround channel signals.
- 9** DTS
Lights up when DTS signals are input.

Notes
 - When playing a DTS format disc, be sure that you have made digital connections and that DIGITAL/ANALOG is NOT set to ANALOG (see **5** on page 13).
 - You may hear some noise when starting playback from a DTS format LD or CD. This, however, is not a malfunction.
- 10** MPEG
Lights when MPEG signals are input.
- 11** RF
Lights when Dolby Digital (AC-3) RF signals are input from the LD (LD/DVD) player.
- 12** AC-3
Lights when Dolby Digital (AC-3) signals are input.

Understanding the Multi-Channel Surround Displays

Playback channel display

The display shows which channels are being played back and which speakers are being used. The letters (L, C, R, etc.) light to show the channels being played back. The boxes around the letters light to show which speakers are being used. The display varies depending on the number of speakers connected (“Speaker Setup and Playback Channel Display” column). This unit also displays the number of channels in the input signal (“Input Channel Display” column).

Although the table below shows almost all of the configurations available from multi channel surround signals, the ones marked “☆” are the most common.

Recording Format (Front/Rear)	Input Channel Display	Speaker Setup and Playback Channel Display			
		All speakers present	Rear speakers absent	Center speaker absent	Rear/center speakers absent
1/0	DOLBY DIGITAL [1/0]	DD DIGITAL C	DD DIGITAL C	DD DIGITAL C	DD DIGITAL C
	dts [1/0]	DTS C	DTS C	DTS C	DTS C
	MPEG [1/0]	MPEG C	MPEG C	MPEG C	MPEG C
2/0*	DOLBY DIGITAL [2/0]	L R	L R	L R	L R
	dts [2/0]	DTS L R	DTS L R	DTS L R	DTS L R
	MPEG [2/0]	MPEG L R	MPEG L R	MPEG L R	MPEG L R
3/0	DOLBY DIGITAL [3/0]	DD DIGITAL L C R	DD DIGITAL L C R	DD DIGITAL L C R	DD DIGITAL L C R
	dts [3/0]	DTS L C R	DTS L C R	DTS L C R	DTS L C R
	MPEG [3/0]	MPEG L C R	MPEG L C R	MPEG L C R	MPEG L C R
2/1	DOLBY DIGITAL [2/1]	DD DIGITAL L R S	DD DIGITAL L R S	DD DIGITAL L R S	DD DIGITAL L R S
	dts [2/1]	DTS L R S	DTS L R S	DTS L R S	DTS L R S
	MPEG [2/1]	MPEG L R S	MPEG L R S	MPEG L R S	MPEG L R S
3/1	DOLBY DIGITAL [3/1]	DD DIGITAL L C R S	DD DIGITAL L C R S	DD DIGITAL L C R S	DD DIGITAL L C R S
	dts [3/1]	DTS L C R S	DTS L C R S	DTS L C R S	DTS L C R S
	MPEG [3/1]	MPEG L C R S	MPEG L C R S	MPEG L C R S	MPEG L C R S
2/2	DOLBY DIGITAL [2/2]	DD DIGITAL L R LS RS	DD DIGITAL L R LS RS	DD DIGITAL L R LS RS	DD DIGITAL L R LS RS
	dts [2/2]	DTS L R LS RS	DTS L R LS RS	DTS L R LS RS	DTS L R LS RS
	MPEG [2/2]	MPEG L R LS RS	MPEG L R LS RS	MPEG L R LS RS	MPEG L R LS RS
3/2	☆ DOLBY DIGITAL [3/2]	DD DIGITAL L C R LS RS	DD DIGITAL L C R LS RS	DD DIGITAL L C R LS RS	DD DIGITAL L C R LS RS
	☆ dts [3/2]	DTS L C R LS RS	DTS L C R LS RS	DTS L C R LS RS	DTS L C R LS RS
	☆ MPEG [3/2]	MPEG L C R LS RS	MPEG L C R LS RS	MPEG L C R LS RS	MPEG L C R LS RS
2/0**	☆ DOLBY DIGITAL [2/0]	PRO LOGIC L C R S	PRO LOGIC L C R S	PRO LOGIC L C R S	PRO LOGIC L C R S
	☆ dts [2/0]	DTS L C R S	DTS L C R S	DTS L C R S	DTS L C R S
	☆ MPEG [2/0]	MPEG L C R S	MPEG L C R S	MPEG L C R S	MPEG L C R S
	☆ DOLBY PRO LOGIC	PRO LOGIC L C R S	PRO LOGIC L C R S	PRO LOGIC L C R S	PRO LOGIC L C R S
	☆ LINEAR PCM**	L R	L R	L R	L R
	☆ ANALOG STEREO	L R	L R	L R	L R

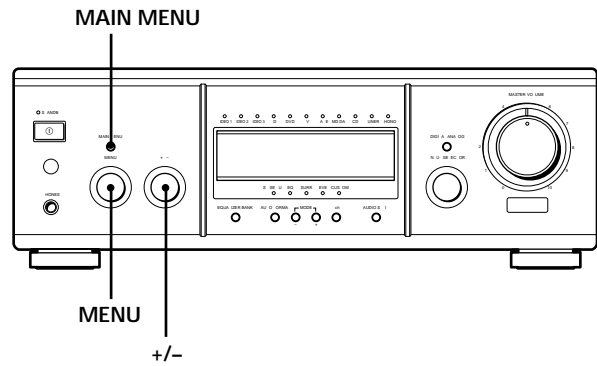
* Without Pro Logic

**When Pro Logic is ON or a “CINEMA” or “VIRTUAL” sound field is selected.

Settings and Adjustments

This chapter describes how to use the menu operations to change various settings, adjust the sound fields, and customize various aspects of the control amplifier's functionality.

Using the Menus



Use the menu operations to adjust various parameters and customize the control amplifier to suit your listening environment, your speaker, your components, and your personal preferences.

- 1** Press **MAIN MENU** repeatedly to display the menu you desire.
See “Menu Function Table” starting on the next page for a chart showing the menus and their respective parameters.
- 2** Turn **MENU** to select the desired parameter from the selected menu.
- 3** Turn **+/-** to select the setting you desire.
The new setting becomes effective and is stored automatically.
- 4** Repeat steps 1 through 3 to adjust all necessary parameters.

Notes

- Certain parameters may not be available for adjustment due to the setting of other parameters (etc.). Unavailable parameters appear dimmed when shown in the display.
- An **EQUALIZER BANK** (1~5) must be chosen before the **EQUALIZER** menu can be adjusted.

Menu Function Table

Menus (Push MAIN MENU)	Parameters (Turn MENU)	Range (Turn +/-)	Description
<SP SETUP>	FRONT SP [LARGE]	LARGE, SMALL	Pages 18~19
	CENTER SP [LARGE]	LARGE, SMALL, NO	
	REAR SP [LARGE]	LARGE, SMALL, NO	
	SUB WOOFER [YES]	YES, NO	
	FRONT 5.0 meter	From 1.0 to 12.0 m (in 0.1 m steps)	Pages 19~20
	CENTER 5.0 meter	From 1.0 to 12.0 m (in 0.1 m steps)	
	REAR 3.5 meter	From 1.0 to 12.0 m (in 0.1 m steps)	
	S.W 5.0 meter	From 1.0 to 12.0 m (in 0.1 m steps)	
	S.W PHASE [NORMAL]	NORMAL, REVERSE	Pages 20~21
	REAR POSI. [BEHIND]	SIDE, MIDDLE, BEHIND	
	REAR HIGHT [LOW]	HIGH, LOW	
	FRONT SP > 120 Hz	From 40 Hz to 200 Hz (10 Hz steps)	
	CENTER SP > 120 Hz	From 40 Hz to 200 Hz (10 Hz steps)	
	REAR SP > 120 Hz	From 40 Hz to 200 Hz (10 Hz steps)	
DIST. UNIT	meter, feet	Page 22	
<EQUALIZER>	FRONT BASS 0 dB	From -10.0 to +10.0 dB (in 0.5 dB steps)	Pages 32~33
	FRONT BASS 250 Hz	From 99 Hz to 1 kHz (in 21 steps)	
	FRONT MID 0 dB	From -10.0 to +10.0 dB (in 0.5 dB steps)	
	FRONT MID ??? kHz	From 198 Hz to 10 kHz (in 37 steps)	
	FRONT MID [WIDE]	WIDE, MIDDLE, NARROW	
	FRONT TREBLE 0 dB	From -10.0 to +10.0 dB (in 0.5 dB steps)	
	FRONT TREBLE 2.5 kHz	From 1.0 to 10 kHz (in 23 steps)	
	CENTER BASS 0 dB	From -10.0 to +10.0 dB (in 0.5 dB steps)	
	CENTER BASS 250 Hz	From 99 Hz to 1 kHz (in 21 steps)	
	CENTER MID 0 dB	From -10.0 to +10.0 dB (in 0.5 dB steps)	
	CENTER MID ??? kHz	From 198 Hz to 10 kHz (in 37 steps)	
	CENTER MID [WIDE]	WIDE, MIDDLE, NARROW	
	CENTER TREBLE 0 dB	From -10.0 to +10.0 dB (in 0.5 dB steps)	
	CENTER TREBLE 2.5 kHz	From 1.0 to 10 kHz (in 23 steps)	
	REAR BASS 0 dB	From -10.0 to +10.0 dB (in 0.5 dB steps)	
	REAR BASS 250 Hz	From 99 Hz to 1 kHz (in 21 steps)	
	REAR MID 0 dB	From -10.0 to +10.0 dB (in 0.5 dB steps)	
	REAR MID ??? kHz	From 198 Hz to 10 kHz (in 37 steps)	
	REAR MID [WIDE]	WIDE, MIDDLE, NARROW	
	REAR TREBLE 0 dB	From -10.0 to +10.0 dB (in 0.5 dB steps)	
	REAR TREBLE 2.5 kHz	From 1.0 to 8.6 kHz (in 23 steps)	
	PRESET (1~5) clear [YES]	NO, YES	

Menus (Push MAIN MENU)	Parameters (Turn MENU)	Range (Turn +/-)	Description
<SURROUND>	SURR. EFFECT 100%	From 0 to 150% (in 5% steps)	Page 34
	WALL S ___ ___ H	17 step	
	REVERB S ___ ___ L	17 step	
	BASS +0 dB -----	From -10.0 to +10.0 dB (in 1 dB steps)	Page 34
	BASS ??? Hz -----	From 99 to 1 kHz (in 21 steps)	
	MID +0 dB -----	From -10.0 to +10.0 dB (in 1.0 dB steps)	
	MID [WIDE] -----	WIDE, MIDDLE, NARROW	
	MID ??? Hz -----	From 198 Hz to 10 kHz (in 37 steps)	
	TREBLE +0 dB -----	From -10.0 to +10.0 dB (in 1.0 dB steps)	
TREBLE ??? Hz -----	From 1.0 to 10 kHz (in 23 steps)		
<LEVEL>	TEST TONE [LS] auto	OFF, AUTO, L, C, R, RS, LS, SW	Pages 35~36
	FRONT L ___ ___ R	17 step (in 0.5 dB steps)	
	REAR L ___ ___ R	17 step (in 0.5 dB steps)	
	CENTER LEVEL - 0 dB	From +10.0 to -20.0 dB, OFF (in 0.5 dB steps)	
	REAR LEVEL - 0 dB	From +10.0 to -20.0 dB, OFF (in 0.5 dB steps)	
	SUB WOOFER - 0 dB	From +10.0 to -20.0 dB, OFF (in 0.5 dB steps)	
	LFE MIX - 0 dB	From +0.0 to -20.0 dB, OFF (in 0.5 dB steps)	
	D. RANGE COMP STD	OFF, 0.1 - - 0.9, STD, MAX	
	DIALOG TRIM +0.0 dB	From +5.0 to -5.0 dB (in 0.5 dB steps)	
	SURR TRIM +0.0 dB	From +5.0 to -5.0 dB (in 0.5 dB steps)	
	MUTING [OFF]	OFF, ON	
	VOLUME -000 dB	0 - - -100 dB, -∞ dB (min. 0.5 dB step)	
	<CUSTOMIZE>	V. PROCESSOR [OFF]	OFF, ON
V: (video source) A: (audio source)			
AU INPUT [ANALOG]		AUTO, OPTICAL, COAXIAL, AC-3 RF, ANALOG	
DECODE MODE [AC-3]		AUTO, AC-3, DTS, MPEG	
DISP. DIMMER [100%]		100 - - - 25% (in 1% steps)	
OUTPUT LEVEL [NORM]		NORM, LOW	
AUTO FUNCTION [ON]		ON, OFF	
MEMORY CLEAR [YES]		NO, YES	Page 38
SLEEP 0:00:00		2:00:00, 1:30:00, 1:00:00, 0:30:00, OFF	Page 38

Adjusting the Speaker Settings <SP SETUP>

See “Multi-Channel Surround Setup” on page 18 for details on the parameters available in the SP SETUP menu.

■ Front speaker size (FRONT SP)

Initial setting : LARGE

■ Center speaker size (CENTER SP)

Initial setting : LARGE

■ Rear speaker size (REAR SP)

Initial setting : LARGE

■ Sub woofer selection (SUB WOOFER)

Initial setting : YES

■ Front speaker distance (FRONT)

Initial setting : 5.0 meter

■ Center speaker distance (CENTER)

Initial setting : 5.0 meter

■ Rear speaker distance (REAR)

Initial setting : 3.5 meter

■ Sub woofer distance (S.W)

Initial setting : 5.0 meter

■ Sub woofer phase polarity (S.W PHASE)

Initial setting : NORMAL

■ Rear speaker position (REAR POSI.)

Initial setting : BEHIND

■ Rear speaker height (REAR HIGHT)

Initial setting : LOW

■ Front speaker roll off frequency (FRONT)

Initial setting : > 120 Hz

■ Center speaker roll off frequency (CENTER)

Initial setting : > 120 Hz

■ Rear speaker roll off frequency (REAR)

Initial setting : > 120 Hz

■ Distance unit (DIST. UNIT)

Initial setting : METER

Adjusting the Equalization <EQUALIZER>

The EQUALIZER menu lets you adjust the equalization (low, mid, and high frequencies) of the front, center, and rear speakers individually. The equalizer bank lets you store up to 5 different equalizer settings.

The following menu is only available after pressing EQUALIZER BANK and selecting one of the equalizers (EQ PRESET 1~5).

■ Front speaker bass adjustment (Level/ Frequency)

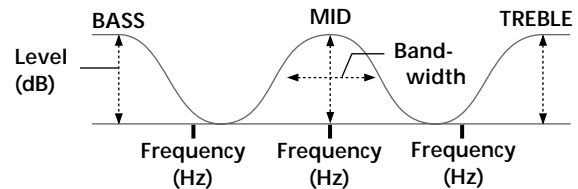
FRONT BASS +XX.XdB

FRONT BASS XXXHz

① Turn MENU to select the level (dB) or frequency (Hz).

② Turn +/- to adjust.

Repeat until you achieve the sound you desire.



- The level can be adjusted ± 10 dB in 0.5 dB steps.
- The frequency can be adjusted from 99 Hz to 1 kHz in 21 steps.

■ Front speaker midrange adjustment (Level/ Frequency)

FRONT MID +XX.XdB

FRONT MID XXXHz

Adjust as described in “Front speaker bass adjustment”.

- The level can be adjusted ± 10 dB in 0.5 dB steps.
- The frequency can be adjusted from 198 Hz to 10 kHz in 37 steps.

■ Front speaker midrange bandwidth

FRONT MID [WIDE]

This parameter lets you adjust the width of the midrange band.

- “WIDE” provides a wide band centered on the selected frequency, for general adjustments.
- “MIDDLE” provides a normal band.
- “NARROW” provides a narrow band centered on the selected frequency, for specific adjustments.

■ Front speaker treble adjustment (Level/Frequency)

FRONT TREBL +XX.XdB

FRONT TREBL XXXHz

Adjust as described in “Front speaker bass adjustment”.

- The level can be adjusted ± 10 dB in 0.5 dB steps.
- The frequency can be adjusted from 1.0 kHz to 10 kHz in 23 steps.

■ Center speaker bass adjustment (Level/Frequency)

CENTER BASS +XX.XdB

CENTER BASS XXXHz

Adjust as described in “Front speaker bass adjustment”.

- The level can be adjusted ± 10 dB in 0.5 dB steps.
- The frequency can be adjusted from 99 Hz to 1 kHz in 21 steps.

■ Center speaker midrange adjustment (Level/Frequency)

CENTER MID +XX.XdB

CENTER MID XXXHz

Adjust as described in “Front speaker bass adjustment”.

- The level can be adjusted ± 10 dB in 0.5 dB steps.
- The frequency can be adjusted from 198 Hz to 10 kHz in 37 steps.

■ Center speaker midrange bandwidth

CENTER MID [WIDE]

This parameter lets you adjust the width of the midrange band.

- “WIDE” provides a wide band centered on the selected frequency, for general adjustments.
- “MIDDLE” provides a normal band.
- “NARROW” provides a narrow band centered on the selected frequency, for specific adjustments.

■ Center speaker treble adjustment (Level/Frequency)

CENTER TRE. +XX.XdB

CENTER TRE. XXXHz

Adjust as described in “Front speaker bass adjustment”.

- The level can be adjusted ± 10 dB in 0.5 dB steps.
- The frequency can be adjusted from 1.0 kHz to 10 kHz in 23 steps.

■ Rear speaker bass adjustment (Level/Frequency)

REAR BASS +XX.XdB

REAR BASS XXXHz

Adjust as described in “Front speaker bass adjustment”.

- The level can be adjusted ± 10 dB in 0.5 dB steps.
- The frequency can be adjusted from 99 Hz to 1 kHz in 21 steps.

■ Rear speaker midrange adjustment (Level/Frequency)

REAR MID +XX.XdB

REAR MID XXXHz

Adjust as described in “Front speaker bass adjustment”.

- The level can be adjusted ± 10 dB in 0.5 dB steps.
- The frequency can be adjusted from 198 Hz to 10 kHz in 37 steps.

■ Rear speaker midrange bandwidth

REAR MID [WIDE]

This parameter lets you adjust the width of the midrange band.

- “WIDE” provides a wide band centered on the selected frequency, for general adjustments.
- “MIDDLE” provides a normal band.
- “NARROW” provides a narrow band centered on the selected frequency, for specific adjustments.

■ Rear speaker treble adjustment (Level/Frequency)

REAR TREBLE +XX.XdB

REAR TREBLE XXXHz

Adjust as described in “Front speaker bass adjustment”.

- The level can be adjusted ± 10 dB in 1 dB steps.
- The frequency can be adjusted from 1.0 kHz to 10 kHz in 23 steps.

■ Preset clear (PRESET x clear)

PRESET 1 clear [YES]

Initial setting : NO

To clear the currently selected equalizer preset, select [YES] and wait a few seconds. “Are you sure?” is displayed. If you select [YES] again and wait a few seconds, the unit clears the current equalizer and resets it to the factory preset. “PRESET x CLEARED !” is displayed as confirmation. (“x” is the number of the current equalizer preset.)

Customizing Sound Fields <SURROUND>

The SURROUND menu contains parameters that let you customize various aspects of the current sound field. The settings available in this menu are stored individually for each sound field.

■ Effect Level

SURR.EFFECT XXX%

Initial setting : (depends on sound mode)

This parameter lets you adjust the “presence” of the current digital cinema sound surround effect.

■ Wall type

WALL S | H

Initial setting : midpoint

When sound is reflected off soft material, such as a curtain, the high frequency elements are reduced. A hard wall is highly reflective and does not significantly effect the frequency response of the reflected sound. This parameter lets you control the level of the high frequencies to alter the sonic character of your listening environment by simulating a softer (S) or harder (H) wall. The midpoint designates a neutral wall (made of wood).

■ Reverberation

REVERB S | L

Initial setting : midpoint

Before sound reaches our ears, it is reflected (reverberated) many times between the left and right walls, ceiling, and floor. In a large room, sound takes more time to bounce from one surface to another than in a smaller room. This parameter lets you control the spacing of the early reflections to simulate a sonically larger (L) or smaller (S) room. The midpoint (0) designates a standard room with no adjustment.

■ Bass adjustment (Level/Frequency)

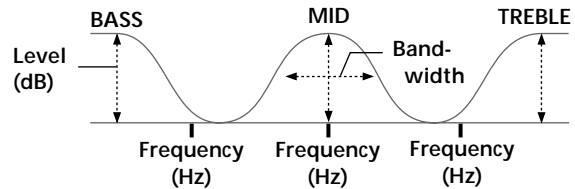
BASS +XX.XdB

BASS XXXHz

Unlike the equalizer in the equalizer menu (which allows you to individually adjust the overall sound quality of each set of speakers) these parameters allow you to individually adjust the tonal quality of each sound field.

- ① Turn MENU to select the level (dB) or frequency (Hz).
- ② Turn +/- to adjust.

Repeat until you achieve the sound you desire.



- The level can be adjusted ± 10 dB in 1 dB steps.
- The frequency can be adjusted from 99 Hz to 1 kHz in 21 steps.

■ Midrange adjustment (Level/Frequency)

MID +XX.XdB

MID XXXHz

Adjust as described in “Bass adjustment”.

- The level can be adjusted ± 10 dB in 1 dB steps.
- The frequency can be adjusted from 198 Hz to 10 kHz in 37 steps.

■ Midrange bandwidth

MID [NARROW]

This parameter lets you adjust the width of the midrange band.

- “WIDE” provides a wide band centered on the selected frequency, for general adjustments.
- “MIDDLE” provides a normal band.
- “NARROW” provides a narrow band centered on the selected frequency, for specific adjustments.

■ Treble adjustment (Level/Frequency)

TREBLE +XX.XdB


TREBLE XXXHz

Adjust as described in “Bass adjustment”.

- The level can be adjusted ± 10 dB in 1 dB steps.
- The frequency can be adjusted from 1.0 kHz to 10 kHz in 23 steps.

Adjusting the Speaker Levels <LEVEL>

The LEVEL menu contains parameters that let you modify the output level of each speaker and perform a variety of other adjustments to control the sound mix. The settings available in this menu effect all the sound fields.

 Most of these settings can also be adjusted directly using the remote. See “Adjusting the speaker volume” (page 22).

■ Test Tone

TEST TONE [LS] auto

Initial setting : automatic

Lets you turn the test tone on or off.

- AUTO outputs the test tone from each speaker in order automatically.
- L (left front), C (center), R (right front), RS (right surround), LS (left surround), or SW (sub woofer) outputs the test tone only from the corresponding speaker.
- The test tone can also be output using the supplied remote. See “Adjusting the speaker volume” (page 22).

■ Front balance

FRONT L ___ | ___ R

Initial setting : center

Lets you adjust the balance between the front left and right speakers.

- This setting can also be adjusted directly using the supplied remote. See “Adjusting the speaker volume” (page 22).

■ Rear Balance

REAR L ___ | ___ R

Initial setting : center

Lets you adjust the balance between the rear left and right speakers.

- This setting can also be adjusted directly using the supplied remote. See “Adjusting the speaker volume” (page 22).

■ Center level

CENT.LEVEL -XX.XdB

Initial setting : 0 dB

Lets you adjust level of the center speaker.

- The level can be adjusted in 1 dB steps from -20 dB to +10 dB.
- This setting can also be adjusted directly using the supplied remote. See “Adjusting the speaker volume” (page 22).

■ Rear level

REAR LEVEL -XX.XdB

Initial setting : 0 dB

Lets you adjust level of the rear (left and right) speakers.

- The level can be adjusted in 1 dB steps from -20 dB to +10 dB.
- This setting can also be adjusted directly using the supplied remote. See “Adjusting the speaker volume” (page 22).

■ Sub woofer level

SUB WOOFER -XX.XdB

Initial setting : 0 dB

Lets you adjust the level of the sub woofer.

- The level can be adjusted in 1 dB steps from -20 dB to +10 dB.

■ LFE (Low Frequency Effect) mix level

LFE MIX -XX.XdB

Initial setting : 0 dB

This parameter lets you attenuate the level of the LFE (Low Frequency Effect) channel output from the sub woofer without effecting the level of the bass frequencies sent to the sub woofer from the front, center or rear channels via the Dolby Digital (AC-3) bass redirection circuitry.

- The level can be adjusted in 1 dB steps from -20 dB to 0 dB (line level). 0 dB outputs the full LFE signal at the mix level determined by the recording engineer.
- Selecting OFF mutes the sound of the LFE channel from the sub woofer. However, the low frequency sounds of the front, center, or rear speakers are output from the sub woofer according to the settings made for each speaker in the speaker setup (page 18).

Adjusting the Speaker Levels <LEVEL>

■ Dynamic range compressor

D. RANGE COMP STD

Initial setting : OFF

Lets you compress the dynamic range of the sound track. This may be useful when you want to watch movies at low volumes late at night.

- OFF reproduces the sound track with no compression.
- STD reproduces the sound track with the dynamic range intended by the recording engineer.
- 0.1 ~ 0.9 allow you to compress the dynamic range in small steps to achieve the sound you desire.
- MAX provides a dramatic compression of the dynamic range.

Note

Dynamic range compression is not possible with DTS or MPEG sources.

About the Dynamic Range Compressor

This parameter allows you to compress the dynamic range of the soundtrack based on the dynamic range information included in the Dolby Digital signal. "STD" is standard compression, but because many sources have only light compression, you may not notice much difference when using 0.1~0.9.

Therefore, we recommend using the "MAX" setting. This greatly compresses the dynamic range and allows you to view movies late at night at low volumes. Unlike analog limiters, the levels are predetermined and provide a very natural compression.

■ Digital dialog trim adjustment

DIALOG TRIM +X.XdB

Initial setting : 0 dB

Lets you adjust the output of the center speaker. Increase this parameter if you are having trouble hearing the dialog. If you did not install a center speaker, this parameter adjusts the level of the center channel as it is mixed with the sound of the front speakers.

■ Digital surround trim adjustment

SURR TRIM +X.XdB

Initial setting : 0 dB

Lets you adjust the output of the rear speakers. Increase this parameter if you feel that the surround effects are too subtle. If you did not install rear speakers, this parameter adjusts the level of the rear channels as they are mixed with the sound of the front speakers.

■ Muting

MUTING [OFF]

Initial setting : off

Lets you mute the sound (same as MUTING on the remote control).

- ON to mutes the sound from all speakers.
- OFF restores the sound to the original volume.

■ Volume

VOLUME -50.0dB

Initial setting : 0 dB

Lets you adjust the master volume. (Same as the MASTER VOLUME control on the front panel.)

Adjustable Parameters for Each Sound Field

Menu		<SURROUND>			<LEVEL>					
Sound field	MODE	EFFECT LEVEL	WALL TYPE	REVERB TIME	LFE MIX	D.RANGE COMP	REAR BAL.	REAR LEVEL	CENTER LEVEL	WOOFER LEVEL
Off	2ch				●	●				
	NORMAL SURROUND				●	●	●	●	●	●
	CINEMA STUDIO A	●			●	●	●	●	●	●
	CINEMA STUDIO B	●			●	●	●	●	●	●
	CINEMA STUDIO C	●			●	●	●	●	●	●
	NIGHT THEATER	●	●	●	●	●	●	●	●	●
	MONO MOVIE	●	●	●	●	●	●	●	●	●
	STEREO MOVIE	●	●	●	●	●	●	●	●	●
	V. MULTI REAR				●	●	●	●	●	●
	V. MULTI DIMENSION				●	●	●	●	●	●
	V. THEATER A	●			●	●	●	●	●	●
	V. THEATER B	●			●	●	●	●	●	●
	V. THEATER C	●			●	●	●	●	●	●
	V. ENHANCED A				●	●			●	●
	V. ENHANCED B				●	●			●	●
	V. SEMI-M.DIMENSION				●	●			●	●
	V. SEMI-THEATER A	●			●	●			●	●
	V. SEMI-THEATER B	●			●	●			●	●
	V. SEMI-THEATER C	●			●	●			●	●
	SMALL HALL	●	●	●	●	●	●	●	●	●
	LARGE HALL	●	●	●	●	●	●	●	●	●
	OPERA HOUSE	●	●	●	●	●	●	●	●	●
	JAZZ CLUB	●	●	●	●	●	●	●	●	●
	DISCO/CLUB	●	●	●	●	●	●	●	●	●
	CHURCH	●	●	●	●	●	●	●	●	●
	LIVE HOUSE	●	●	●	●	●	●	●	●	●
	ARENA	●	●	●	●	●	●	●	●	●
	STADIUM	●	●	●	●	●	●	●	●	●
	GAME	●	●	●	●	●	●	●	●	●
	AUTO FORMAT DECODE				●	●	●	●	●	●

Other Settings <CUSTOMIZE>

The CUSTOMIZE menu allows you to customize various aspects of the control amplifier's operation.

■ Video processor mode

DVD: PROCESSOR [OFF]

Initial setting : OFF

Lets you route the video signals to a video processor connected to the PROCESSOR jacks on the rear panel.

- ON : Routes the signals to the PROCESSOR jacks.
- OFF : Set to this position when not using the video processor, or if you do not connect a video processor.

■ Audio split (AU SPLIT)

V:VIDEO3 A:CD

Use to switch the audio source. (Same as the AUDIO SPLIT button on the front panel.) See "[4] AUDIO SPLIT button" on page 13 for details.

■ Audio input mode (AU INPUT)

DVD: AUDIO [AUTO]

Initial setting : AUTO

Use to switch the input for the current component. (Same as the DIGITAL/ANALOG button on the front panel.) See "[5] DIGITAL/ANALOG button" on page 13 for details.

■ Digital input mode

DVD: DECODE [AUTO]

Initial setting : AUTO

Lets you specify the type of signal being input to currently the selected digital audio jack. The settings are stored independently for each jack.

- AUTO : The unit automatically switches between MPEG, DTS, Dolby Digital (AC-3), and PCM.
- AC-3 : All input signals are treated as Dolby Digital (AC-3) signals. If a MPEG, DTS, or PCM signal is input to a jack set to AC-3, no sound will be heard.
- DTS : All input signals are treated as DTS signals. If a Dolby Digital (AC-3), MPEG, or PCM signal is input to a jack set to DTS, no sound will be heard.
- MPEG : All input signals are treated as MPEG signals. If a Dolby Digital (AC-3), DTS, or PCM signal is input to a jack set to MPEG, no sound will be heard.
- PCM : All input signals are treated as PCM signals. If a Dolby Digital (AC-3), DTS, or MPEG signal is input to a jack set to PCM, no sound will be heard. If a jack is set to "AUTO", and a CD player or similar component connected to that jack sounds interrupted when playback begins, select "PCM" for that jack.

■ Display dimmer control

DISP. DIMMER XXX%

Initial setting : 100%

Lets you adjust the brightness of the display window. It can be adjusted in 1% steps from 25 to 100%.

■ Output level

OUTPUT LEVEL [NORM]

Initial setting : NORMAL

Lets you set the output level.

- NORMAL : Standard preamp output level (1V).
- LOW : Lowers the output level to 250 mV (allowing you to connect this unit's outputs to another preamp.)

■ CONTROL A1 auto function

AUTO FUNCTION [ON]

Initial setting : ON

When a component connected via a CONTROL A1 cord is played, the power to this unit is turned on and the function selector is automatically set for that component. When you do not want linked control of connected components, select [OFF].

■ Remote control operation mode

REMOTE [2WAY ONLY]

Initial setting : 2WAY ONLY

Lets you select remote commander operation mode.

- 2WAY ONLY : If you select this mode, you can operate the amplifier by the supplied "2 way remote commander" only.
- 2WAY + 1WAY : If you select this mode, you can operate the amplifier by the non-2 way remote commander⁽¹⁾ in addition to the supplied remote commander. We recommend to use Sony's RM-PP402⁽²⁾⁽³⁾ for this non-2 way remote commander.

⁽¹⁾ You can program the remote codes of the non-2 way remote commander to the ordinarily learning remote commander that is available in the market.

⁽²⁾ RM-PP402 is usually not available at stores. Please contact your authorized Sony dealer or authorized Sony service center.

⁽³⁾ You can use 5.1CH button instead of LD button when you use RM-PP402 in case of using this amplifier.

■ Memory clear

MEMORY CLEAR [YES]

Initial setting : NO

To clear the memory, select [YES] and wait a few seconds. "Are you sure?" is displayed. Select [YES] again. The unit automatically turns off, and then turns on again. The memory is cleared.

■ Sleep timer

SLEEP X:XX:XX

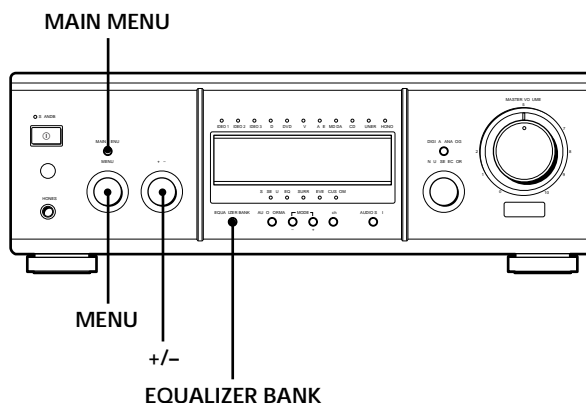
Initial setting : OFF

Lets you set the control amplifier to turn off automatically after a certain time. Simply select the how long you would like to wait before the unit turns itself off. Countdown begins automatically.

To cancel the sleep function, select [OFF] before the countdown is complete.

Other Operations

This chapter describes the operations necessary to store your custom equalization and surround settings for instant recall.



Brief descriptions of buttons used to create custom equalizer settings

EQUALIZER BANK button: Press repeatedly to select the equalizer you want to adjust.

MAIN MENU button: Press repeatedly to select the desired menu (<SURROUND> or <EQUALIZER>).

MENU knob: Turn to select a parameter from the current menu.

+/- knob: Turn to adjust the selected parameter.

Viewing detailed information about the audio source

You can view information about the audio source currently selected. When a digital audio source is selected, the sampling frequency and bit rate of the audio signal can also be viewed. (Items which can be displayed may differ depending on the source.)


Turn +/- counterclockwise to display the audio information (except during menu operations). Then turn +/- in either direction to scroll the information.

Turning +/- immediately after pressing MODE +/- adjusts surround modes. About two seconds after using MODE +/-, you can use +/- to display the audio information. Also, after using INPUT SELECTOR, etc., you can turn +/- to display the audio information when the surround display returns.

Creating Custom Equalizer Settings

Any changes you make to the preset equalizers (EQ PRESET 1~5) are stored automatically.

- 1 Press **EQUALIZER BANK** repeatedly to select the equalizer you want to adjust (EQ PRESET 1~5).
- 2 Press **MAIN MENU** repeatedly to display "<EQUALIZER>".
- 3 Turn **MENU** to select the desired parameter, then turn **+/-** to adjust.
These parameters let you adjust the sound of each speaker individually (see page 32).
The adjustments are stored automatically.

 You can turn off the equalization without erasing the equalizer.
Press the **EQUALIZER BANK** repeatedly to select "EQUALIZER OFF".

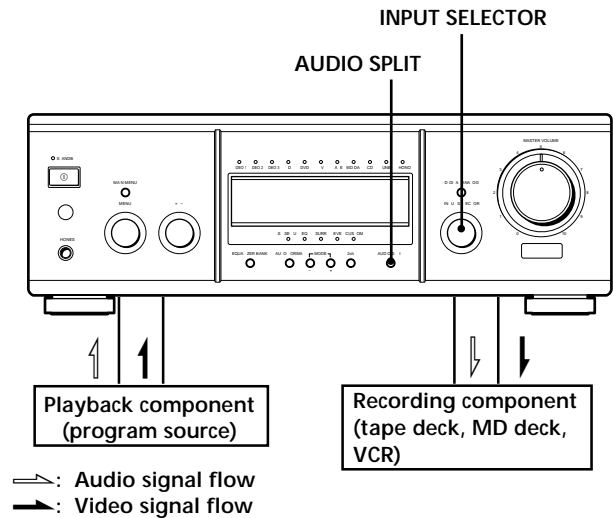
Clearing Stored Equalizer Settings

- 1 Press **EQUALIZER BANK** repeatedly to select the equalizer you want to clear (EQ PRESET 1-5).
- 2 Press **MAIN MENU** repeatedly to display "<EQUALIZER>".
- 3 Turn **MENU** to display "<PRESET x clear [NO]>" ("x" is the number of the current equalizer preset).
- 4 Turn **+/-** to display "<PRESET x clear [YES]>".
A few seconds later, "Are you sure?" is displayed.
- 5 Once again, turn **+/-** to display "[YES]".
A few seconds later, "PRESET x CLEARED !" is displayed and the contents of the selected equalizer bank are restored to the factory presets.

Recording

Your control amplifier makes it easy to record to and from the components connected to it. You don't have to connect the playback and recording components directly to each other: once you select a program source on the control amplifier, you can record and edit as you normally would using the controls on each component.

Before you begin, make sure you've connected all components properly.



Recording on an audio tape or MiniDisc

You can record on a cassette tape or MiniDisc using the control amplifier. See the instruction manual of your tape deck or MD deck if you need help.

- 1 Turn **INPUT SELECTOR** to select the component to be recorded.
- 2 Prepare the component for playing.
For example, insert a CD into the CD player.
- 3 Insert a blank tape or MD into the recording deck and adjust the recording level, if necessary.
- 4 Start recording on the recording deck, then start playback on the playback component.


Notes

- You cannot record a digital audio signal using a component connected to the analog TAPE REC OUT or MD/DAT REC OUT jacks. To record a digital audio signal, connect a digital component to the MD/DAT OPTICAL OUT jack.
- Sound adjustments do not affect the signal output from the TAPE REC OUT or MD/DAT REC OUT jacks.

Recording on a video tape

You can record from a VCR, a TV, or an LD player using the control amplifier. You can also add audio from a variety of audio sources when editing a video tape. See your VCR or LD player's instruction manual if you need help.

- 1 Turn INPUT SELECTOR to select the program source to be recorded.
- 2 Prepare the component for playing.
For example, insert the laser disc you want to record into the LD player.
- 3 Insert a blank video tape into the VCR (VIDEO 1, VIDEO 2, or VIDEO 3) for recording.
- 4 Start recording on the recording VCR, then start playing the video tape or laser disc you want to record.

 You can record the sound from any audio source onto a video tape while copying from a video tape or laser disc. After locating the point where you want to start recording from another audio source, select the program source, then start playback. The audio from that source will be recorded onto the audio track of the video tape instead of the audio from the original medium.

For example, if you want to record video from the component connected to the VIDEO 1 jacks and audio from the component connected to the CD jacks:

- 1 Turn INPUT SELECTOR to select VIDEO 1.
- 2 Press AUDIO SPLIT to display "V:VIDEO1 A:(audio component)"
- 3 Press AUDIO SPLIT repeatedly to select the CD player as the audio component ("V:VIDEO1 A:CD").

See "[4] AUDIO SPLIT button" on page 13 for details on use of the AUDIO SPLIT button.

To resume audio recording from the original medium, hold down AUDIO SPLIT for more than 2 seconds to cancel. (Please note that the selected audio component will switch once before cancelation.)

Notes

- You cannot record a digital audio signal using a component connected to the analog TAPE REC OUT, MD/DAT REC OUT, VIDEO 1 REC OUT, VIDEO 2 REC OUT, or VIDEO 3 REC OUT jacks. To record a digital audio signal, connect a digital component to the MD/DAT OPTICAL OUT jack.
- You cannot, however, record multi channel surround digital signals from a DVD, etc.

CONTROL-A1 Control System

Getting started

"CONTROL A1" is the name of the remote control system that controls the audio components in the Sony S-Link™ bus-system. (S-Link™ is a general term for the Sony audio/visual component control system.) This section explains the basic functions of the CONTROL A1 Control System. Certain components have special functions, like "CD Synchro Dubbing" on cassette decks, that require CONTROL A1 connections. For detailed information regarding specific operations, be sure to also refer to the Operating Instructions supplied with your component(s).

The CONTROL A1 Control System was designed to simplify the operation of audio systems composed of separate Sony components. CONTROL A1 connections provide a path for the transmission of control signals which enable automatic operation and control features usually associated with integrated systems. Currently, CONTROL A1 connections between a Sony CD player, amplifier (receiver), MD deck and tape deck provide automatic function selection and synchronized recording.

In the future the CONTROL A1 connection will work as a multifunction bus allowing you to control various functions for each component.

Note

The CONTROL A1 Control System is designed to maintain upward compatibility as the Control System is upgraded to handle new functions. In this case, however, older components will not be compatible with the new functions.

Compatibility with the former CONTROL A System

Basically speaking, CONTROL A is not compatible with CONTROL A1.

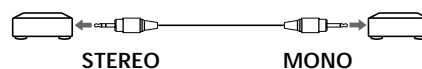
Certain CONTROL A components, however, can be connected to CONTROL A1 components using a special connecting cord.

- CDP-CX151 Not compatible
- CDP-CX153 Can be connected*

* Use the Sony RK-G139HG (1 m) monaural mini-plug ↔ stereo mini-plug connecting cord or a similar cord (less than 2 meters long).

To the CONTROL A
component

To the CONTROL A1
component

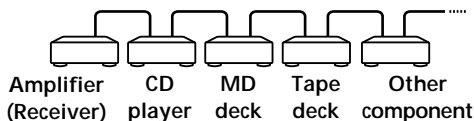


Be sure to connect the STEREO mini-plug to the CONTROL A component and the MONO mini-plug to the CONTROL A1 component.

Connections

Connect monaural (2P) mini-plug cords in series to the CONTROL A1 jacks on the back of each component. You can connect up to ten CONTROL A1 compatible components in any order. However, you can connect only one of each type of component (i.e., 1 CD player, 1 MD deck, 1 tape deck and 1 receiver). (You may be able to connect more than one CD player or MD deck, depending on the model. Refer to the operating instructions supplied with the respective component for details.)

Example

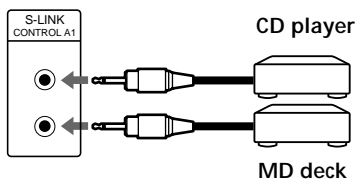
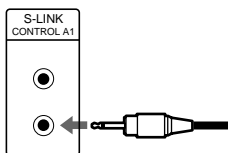


In the CONTROL A1 control system, the control signals flow both ways, so there is no distinction of IN and OUT jacks. If a component has more than one CONTROL A1 jack, you can use either one, or connect different components to each jack.

About the connecting cord

Some CONTROL A1 compatible components are supplied with a connecting cord as an accessory. In this case, use the connecting cord for your connection. When using a commercially available cord, use a monaural (2P) mini-plug cord less than 2 meters long, with no resistance (like the Sony RK-G69HG).

Jacks and connection examples



Basic functions

The CONTROL A1 functions will operate as long as the component you want to operate is turned on, even if all of the other connected components are not turned on.

Automatic function selection

When you connect a CONTROL A1 compatible Sony amplifier (or receiver) to other Sony components using monaural mini-plug cords, the function selector on the amplifier (or receiver) automatically switches to the correct input when you press the play button on one of the connected components.

Notes

- You must connect a CONTROL A1 compatible amplifier (receiver) using a monaural mini-plug cord in order to take advantage of the automatic function selection feature.
- This function only works when the components are connected to the amplifier (or receiver) inputs according to the names on the function buttons. Certain receivers allow you to switch the names of the function buttons. In this case, refer to the Operating Instructions supplied with the receiver.
- When recording, do not play any components other than the recording source. It will cause the automatic function selection to operate.

Synchronized recording

This function lets you conduct synchronized recording between the selected source and recorder components.

- 1 Set the function selector on the amplifier (or receiver) to the source component.
- 2 Set the source component to pause mode (make sure both the ► and || indicators light together).
- 3 Set the recorder component to the REC-PAUSE mode.
- 4 Press PAUSE on the recorder component. The source component is released from the pause mode, and recording begins shortly thereafter. When playback ends from the source component, recording stops.

Notes

- Do not set more than one component to the pause mode.
- Certain recorder components may be equipped with a special synchronized recording function that uses the CONTROL A1 Control System, like "CD Synchro Dubbing". In this case, refer to the Operating Instructions supplied with the recorder component.

Additional Information

Troubleshooting

If you experience any of the following difficulties while using the control amplifier, use this troubleshooting guide to help you remedy the problem. Also, see “Checking the connections” on page 17 to verify that the connections are correct. Should any problem persist, consult your nearest Sony dealer.

There’s no sound or only a very low-level sound is heard.

- ➔ Check that all components are connected securely.
- ➔ Make sure that you’ve selected the correct component on the control amplifier.
- ➔ Press MUTING on the remote if “MUTING” appears in the display.
- ➔ If headphones are connected, disconnect them.

The left and right sounds are unbalanced or reversed.

- ➔ Check that all components are connected correctly and securely.

Severe hum or noise is heard.

- ➔ Check that all components are connected securely.
- ➔ Check that the connecting cords are away from a transformer or motor, and at least 3 meters (10 feet) away from a TV set or fluorescent light.
- ➔ Move your TV away from the audio components.
- ➔ Make sure you’ve grounded SIGNAL GND \hbar terminal.
- ➔ The plugs and jacks are dirty. Wipe them with a cloth slightly moistened with alcohol.

No sound is heard from the center speaker.

- ➔ Make sure the sound field function is on (press AUTO FORMAT).
- ➔ Adjust the speaker volume (see page 22).
- ➔ Make sure the center speaker size parameter is set to either SMALL or LARGE (see page 18).

Troubleshooting

No sound or only a very low-level sound is heard from the rear speakers.

- ➔ Make sure the sound field function is on (press AUTO FORMAT).
- ➔ Adjust the speaker volume (see page 22).
- ➔ Make sure the rear speaker size parameter is set to either SMALL or LARGE (see page 18).

Recording cannot be done.

- ➔ Check that the components are connected correctly.
- ➔ Select the source component by rotating the INPUT SELECTOR control.
- ➔ When recording from a digital component, be sure to press DIGITAL/ANALOG to select "ANALOG" (see page 13) before recording with a component connected to the analog MD/DAT, TAPE, VIDEO 1, VIDEO 2, or VIDEO 3 terminals.
- ➔ When recording from a digital component, be sure to press DIGITAL/ANALOG to select "DIGITAL" (see page 13) before recording with the component connected to the MD/DAT OPTICAL OUT terminals.

The surround effect cannot be obtained.

- ➔ Make sure the sound field function is on (press AUTO FORMAT).


No picture or an unclear picture appears on the TV screen or monitor.

- ➔ Select the appropriate function on the control amplifier.
- ➔ Set your TV to the appropriate input mode.
- ➔ Move your TV away from the audio components.

The audio output does not correspond to the video image on the TV screen or monitor.

- ➔ Check the source of the audio signal by pressing AUDIO SPLIT to display "V:(video component) A:(audio component)". Hold down AUDIO SPLIT for more than 2 seconds to cancel the function and restore both audio and video to the selected video component.

The remote does not function.

- ➔ Point the remote at the remote sensor  on the control amplifier.
- ➔ Remove any obstacles in the path between the remote and the control amplifier.
- ➔ Replace all batteries in the remote with new ones, if they are weak.
- ➔ Make sure you select the correct function on the remote.
- ➔ If the remote is set to operate the TV only, use the remote to select a source or component other than TV before operating the control amplifier or other component.

Reference sections for clearing the control amplifier's memory

To clear	See
All memorized settings	Page 17
Customized equalizers	Page 40

Specifications

Audio section

Harmonic distortion

Less than 0.05% (with sound field, and equalizer bypassed)

Frequency response

PHONO:

20 Hz ~ 20 kHz

RIAA ± 0.5 dB

LINE (TUNER, CD, MD/DAT, TAPE, TV (TV/DBS), DVD, LD, VIDEO 1, 2, and VIDEO 3):

20 Hz ~ 20 kHz

+0/-0.2 dB (with sound field, and equalizer bypassed)

Signal-to-noise ratio

DIGITAL IN: 100 dB

(20 kHz LPF, A)

PHONO: 82 dB (A) *

LINE: 94 dB

(20 kHz LPF, A) **

* Measured at REC OUT

** 2.5 V input level

Inputs (Analog)

PHONO:

Sensitivity: 5 mV

Impedance:

50 kilohms

LINE (TUNER, CD, MD/DAT, TAPE, TV (TV/DBS), DVD, LD, VIDEO 1, 2, and VIDEO 3):

Sensitivity: 250 mV

Impedance:

50 kilohms

Inputs (Digital)

DVD (coaxial):

Sensitivity: 0.5 Vp-p

Impedance: 75 ohms

LD (AC-3 RF):

Impedance: 75 ohms

LD (coaxial):

Sensitivity: 0.5 Vp-p

Impedance: 75 ohms

CD (coaxial):

Sensitivity: 0.5 Vp-p

Impedance: 75 ohms

CD, MD/DAT, TV (TV/DBS), LD (Optical)

DVD (optical)

Outputs (Analog) MD/DAT, TAPE (REC OUT); VIDEO

1, 2, 3 (REC OUT):

Voltage: 250 mV,

Impedance:

1 kilohm

PRE OUT (FRONT L/R, CENTER, REAR L/R, WOOFER):

Voltage: 1 V

Impedance:

200 ohms

PHONES:

Accepts low- and

high-impedance

headphones

Outputs (Digital)

MD/DAT (Optical)

Sampling Frequency

48 kHz

EQ

BASS:

100 Hz ~ 1.0 kHz

(21 steps)

MID:

99 Hz ~ 8.6 kHz

(41 steps)

TREBLE:

1.0 kHz ~ 10 kHz

(21 steps)

Gain levels:

± 10 dB, 1 dB step

Decodable Digital Formats

Dolby Digital (AC-3),

MPEG, DTS,

Linear PCM

Specifications

Video section

Inputs 1 Vp-p 75 ohms

Outputs 1 Vp-p 75 ohms

S video inputs

Luminance:

1 Vp-p 75 ohms

Chroma: 0.286 Vp-p
75 ohms

S video outputs

Luminance:

1 Vp-p 75 ohms

Chroma: 0.286 Vp-p
75 ohms

General

Power requirements

European models :

230 V AC, 50/60Hz

USA and Canadian
models :

120 V AC, 60Hz

Power consumption

72 W

AC outlets

European models :

1 switched, 100 W

USA and Canadian
models :

2 switched,
total 120 W/1 A

Dimensions

430 × 150 × 387 mm

(17 × 6 × 15¹/₄

inches) including
projecting parts and
controls

Mass (Approx.)

12.8 kg (28 lb 04 oz)

Supplied accessories See page 4.

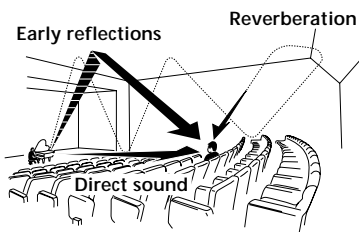
Design and specifications are subject
to change without notice.

Glossary

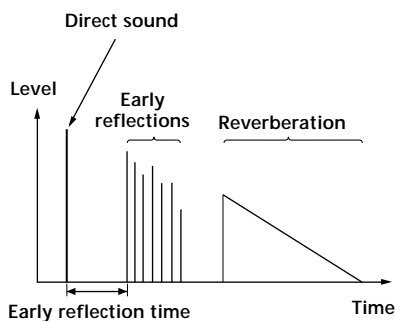
Surround sound

Sound that consists of three elements: direct sound, early reflected sound (early reflections) and reverberative sound (reverberation). The acoustics of the surrounding space affect the way these three sound elements are heard. Surround sound combines these sound elements in such a way that you actually can sense the size of the venue, as well as its type.

- Types of sound



- Transition of sound from rear speakers



Dolby Pro Logic Surround

As one method of decoding Dolby Surround, Dolby Pro Logic Surround produces four channels from two-channel sound. Compared with the former Dolby Surround system, Dolby Pro Logic Surround reproduces left-to-right panning more naturally and localizes sounds more precisely. To take full advantage of Dolby Pro Logic Surround, you should have one pair of rear speakers and a center speaker. The rear speakers output monaural sound.

Dolby Digital (AC-3)

This sound format for movie theaters is more advanced than Dolby Pro Logic Surround. In this format, the rear speakers output stereo sound with an expanded frequency range and a subwoofer channel for deep bass is independently provided. This format is also called "5.1" because the subwoofer channel is counted as 0.1 channel (since it functions only when a deep bass effect is needed). All six channels in this format are recorded separately to realize superior channel separation. Furthermore, since all the signals are processed digitally, less signal degradation occurs. The name "AC-3" comes from the fact that it is the third audio coding method to be developed by the Dolby Laboratories Licensing Corporation.

Digital Cinema Sound

This is the generic name of the surround sound produced by digital signal processing technology developed by Sony. Unlike previous surround sound fields mainly directed at the reproduction of music, Digital Cinema Sound is designed specifically for the enjoyment of movies.

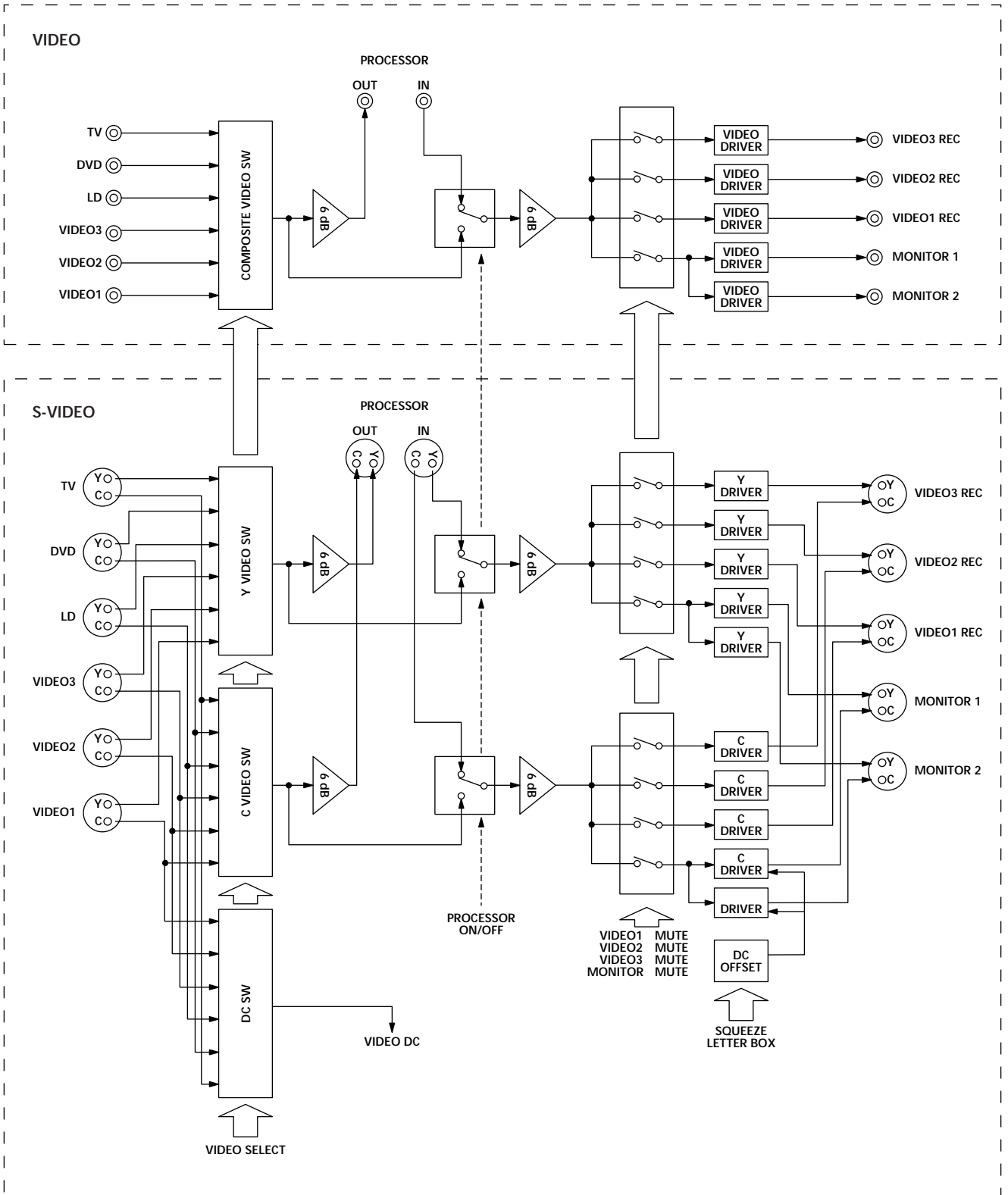
DTS

Digital audio compression technology that the Digital Theater Systems, Inc. developed. This technology conforms to 5.1-channel surround. The rear channel is stereo and there is discrete subwoofer channel in this format. The good channel separation is realized because the all channel data is recorded discrete and processed in digital.

MPEG AUDIO

International standard coding system to compress audio digital signals authorized by ISO/IEC. MPEG 1 conforms up to 2-channel stereo. MPEG 2 used on DVDs conforms up to 7.1-channel surround. It realizes the backward compatibility – you can play the MPEG 2 sound track with the player conforms to MPEG 1.

Video Signal Block Diagram



Index

A

AC-3. *See Dolby Digital (AC-3)*

Adjusting

- brightness of the display 38
- equalizer 32
- speaker volumes 22
- surround parameters 37

B

Basic operations 12~15

Battery 4

C

Changing

- effect level 34

Checking the connections 17

Clearing control amplifier's

memory 17

Connecting. *See Hookups*

Customizing sound fields 34

D

Digital Cinema Sound 47

Dolby Digital (AC-3) 47

Dolby Pro Logic Surround 47

Dubbing. *See Recording*

DTS 47

E, F, G

Editing. *See Recording*

Effect level 34

H, I, J, K, L

Hookups

- AC power cord 11
- audio components 8
- digital components 6, 7
- power amplifier(s) 5
- S-LINK CONTROL A1 10, 11
- video components 9

M, N, O

MPEG AUDIO 47

P, Q

Parameter 30, 31, 37

R

Recording

on an audio tape or MD 40

on a video tape 41

S

Selecting

component 12

sound field 23

Sound field

adjustable parameters 37

customizing 34

pre-programmed 23~26

resetting 38

selecting 23

Speakers

adjusting speaker volume 22

placement 18

Supplied accessories 4

Surround sound 18~38

T

Test tone 22

U, V, W, X, Y, Z

Unpacking 4

AVERTISSEMENT

Afin d'éviter tout risque d'incendie ou d'électrocution, ne pas exposer cet appareil à la pluie ou à l'humidité.

Afin d'éviter tout risque de choc électrique, ne pas ouvrir le coffret. Confier toute réparation à un technicien qualifié uniquement.

N'installez pas l'appareil dans un espace confiné comme dans une bibliothèque ou un meuble encastré.

Précautions

Sécurité

Si un solide ou un liquide tombait dans le coffret, débranchez l'amplificateur de contrôle et faites-le vérifier par un professionnel avant de le remettre en service.

Sources d'alimentation

- Avant de mettre en service l'amplificateur de contrôle, vérifiez que la tension de fonctionnement correspond à celle du courant secteur local. La tension de fonctionnement est indiquée sur la plaque signalétique à l'arrière de l'amplificateur de contrôle.
- L'amplificateur de contrôle n'est pas déconnecté de la source d'alimentation tant qu'il est branché sur une prise murale, même si vous le mettez hors tension.
- Si vous ne comptez pas utiliser l'amplificateur de contrôle pendant un certain temps, débranchez-le de la prise murale. Pour débrancher le cordon, tirez sur la fiche et jamais sur le cordon proprement dit.
- Si le cordon d'alimentation secteur doit être remplacé, adressez-vous à un professionnel uniquement.

Installation

- Installez l'amplificateur de contrôle dans un endroit bien ventilé pour éviter tout risque de surchauffe interne et prolonger la durée de vie des composants.
- N'installez pas l'amplificateur de contrôle près d'une source de chaleur, dans un endroit en plein soleil, poussiéreux ou exposé à des chocs mécaniques.
- Ne posez rien sur le coffret qui puisse bloquer les orifices de ventilation et provoquer un mauvais fonctionnement.

Fonctionnement

Avant de raccorder d'autres appareils, mettez l'amplificateur de contrôle hors tension et débranchez-le.

Nettoyage

Nettoyez le coffret, le panneau et les commandes avec un chiffon doux légèrement imprégné d'une solution détergente douce. N'utilisez pas de tampon abrasif, poudre à récurer ou solvant, comme de l'alcool ou de la benzine.

En cas de question ou de problème concernant l'amplificateur de contrôle, consultez le revendeur Sony le plus proche.


Au sujet de ce manuel

Les instructions de ce mode d'emploi sont destinées au modèle TA-E900ES. Vérifiez le numéro de votre modèle dans le coin inférieur droit du panneau avant. Sauf indication contraire, le modèle européen est le modèle auquel se réfèrent les illustrations dans ce mode d'emploi. Toute différence de fonctionnement est clairement indiquée dans le texte, par exemple, " Etats-Unis/Canada seulement".

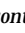
Type de différence

	Modèle	Etats-Unis/Canada	Europe
Caractéristique			
Entrées et sélecteur TV/DBS		●	
Entrées et sélecteur TV			●

Conventions

- Les instructions dans ce manuel décrivent les commandes de l'amplificateur de contrôle. Vous pouvez aussi utiliser les touches de la télécommande qui ont le même nom ou un nom similaire. Pour les détails sur l'utilisation de la télécommande, reportez-vous au mode d'emploi séparé fourni avec la télécommande.
- L'icône suivante est utilisée dans ce mode d'emploi:
 Indique des conseils et suggestions pouvant faciliter certaines opérations.

Cet amplificateur de contrôle intègre les systèmes surround Dolby* Digital (AC-3) et Pro Logic, le système surround DTS** Digital et le système surround numérique multicanaux MPEG.

* *Fabriqué sous licence de Dolby Laboratories. "Dolby", "AC-3", "Pro Logic" et le symbole double-D  sont des marques commerciales de Dolby Laboratories. Projet non publié confidentiel. ©1992-1997 Dolby Laboratories, Inc. Tous droits réservés.*

** *Fabriqué sous licence de Digital Theater Systems, Inc. Brevet enregistré sous le No. 5.451.942 aux Etats-Unis et brevets enregistrés ou en cours d'homologation dans d'autres pays. "DTS" et "DTS Digital Surround" sont des marques de Digital Theater Systems, Inc. © 1996 Digital Theater Systems, Inc. Tous droits réservés.*

TABLE DES MATIÈRES

Raccordement des appareils 4

- Déballage 4
- Raccordement d'un amplificateur de puissance 5
- Raccordement d'appareils numériques 6
- Raccordement d'appareils audio 8
- Raccordement d'appareils vidéo 9
- Autres raccords 10

Nomenclature et opérations élémentaires 12

- Description des éléments du panneau avant 12
- Description des éléments du panneau arrière 15

Utilisation du son surround 16

- Avant d'utiliser l'amplificateur de contrôle 17
- Configuration du surround multicanaux 18
- Sélection d'un champ sonore 23
- Signification des diverses indications du surround multicanaux 27

Réglages 29

- Utilisation des menus 29
- Tableau des fonctions du menu 30
- Réglage des paramètres d'enceinte <SP SETUP> 32
- Réglage de l'égalisation <EQUALIZER> 32
- Personnalisation des champs sonores <SURROUND> 34
- Réglage du niveau des enceintes <LEVEL> 35
- Autres réglages <CUSTOMIZE> 38

Autres opérations 39

- Création de courbes d'égalisation personnalisées 40
- Enregistrement 40
- Système de commande CONTROL-A1 41

Informations complémentaires 43

- Guide de dépannage 43
- Spécifications 45
- Glossaire 47
- Schéma général des signaux vidéo 48
- Index 49

Raccordement des appareils


Ce chapitre explique comment raccorder divers appareils audio et vidéo à l'amplificateur de contrôle. Veuillez lire les paragraphes concernant les appareils que vous avez avant de les raccorder à l'amplificateur de contrôle.

Déballage

Vérifiez si vous avez bien reçu les accessoires avec l'appareil:

- Cordons audio (3)
- Télécommande RM-TP501E (1)
- Piles alcalines LR6 (format AA) (4)
- Pile bouton au lithium (CR-2032) (1)

Mise en place des piles dans la télécommande

Insérez quatre piles alcalines de format AA (LR6) et une pile bouton au lithium en faisant correspondre les bornes + et - avec le schéma dans le logement. Pour utiliser la télécommande, dirigez-la vers le capteur  de l'amplificateur de contrôle.

Pour les détails, reportez-vous au mode d'emploi fourni avec la télécommande.

Remarques

- Ne laissez pas la télécommande dans un endroit extrêmement chaud ou humide.
- N'insérez pas des piles neuves avec des piles usées.
- N'insérez pas différents types de piles. La télécommande ne fonctionne qu'avec des piles alcalines.
- N'exposez pas le détecteur infrarouge aux rayons directs du soleil ni à un éclairage puissant. Vous éviterez ainsi les problèmes de fonctionnement.
- Si vous prévoyez de ne pas utiliser la télécommande pendant un certain temps, enlevez les piles pour éviter tout dommage dû à une fuite d'électrolyte et à la corrosion.

Avant de commencer

- Mettez tous les appareils hors tension avant d'effectuer les liaisons.
- Ne raccordez les cordons d'alimentation secteur que lorsque toutes les liaisons sont terminées.
- Enfoncez les fiches à fond dans les prises pour éviter tout bourdonnement et bruit.
- Lors du raccordement d'un cordon audio/vidéo, branchez les fiches sur les prises de même couleur: jaune (vidéo) à jaune, blanc (audio, gauche) à blanc et rouge (audio, droit) à rouge.

Raccordement d'un amplificateur de puissance

Raccordez les prises d'entrée arrière, centrale et avant de votre amplificateur de puissance 5 canaux (TA-N9000ES Sony, etc.) aux prises PRE OUT de l'amplificateur de contrôle. Pour les détails, reportez-vous au mode d'emploi fourni avec votre amplificateur de puissance. Raccordez un caisson de grave amplifié à une des prises PRE OUT WOOFER. Le même signal est fourni par chacune des prises PRE OUT WOOFER.

Cordons nécessaires

Cordons audio (3 cordons sont fournis)

Lorsque vous raccordez des appareils, veillez à insérer les fiches dans les prises de même couleur.

Blanc (G)  Blanc (G)

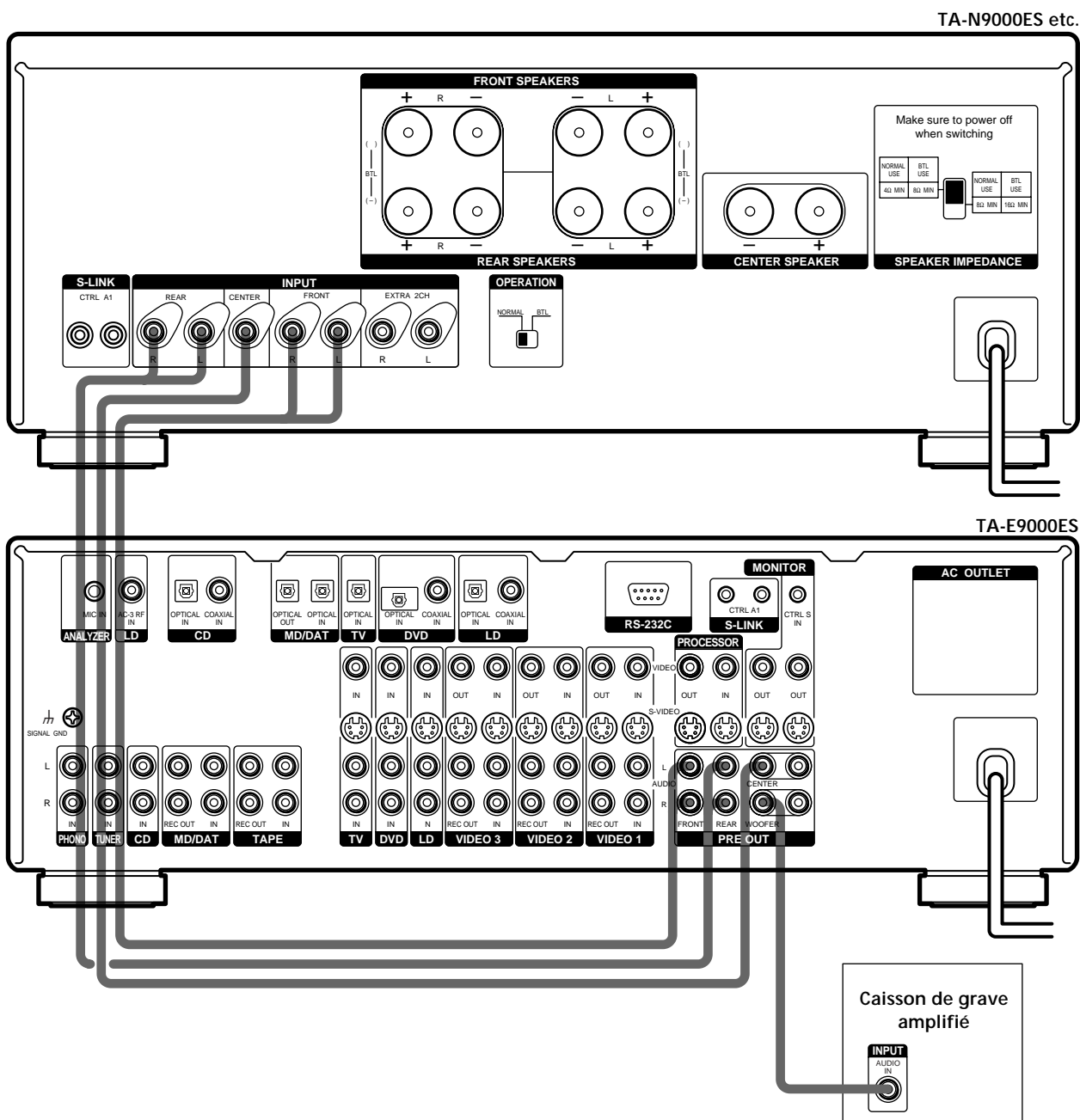
Rouge (D)  Rouge (D)

Cordons audio monophoniques (non fournis)

Pour les prises PRE OUT CENTER et PRE OUT WOOFER.

Un des cordons audio fournis peut aussi être séparé et utilisé comme deux cordons monophoniques indépendants.

Noir  Noir



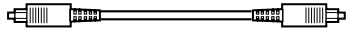
Raccordement d'appareils numériques

Reliez les prises de sortie numérique de votre lecteur DVD, LD et tuner TV (etc.) aux prises d'entrée numérique de l'amplificateur de contrôle pour restituer chez vous le son surround multicanaux d'un cinéma.

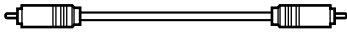
Si votre lecteur LD (ou LD/DVD) est muni d'une prise de sortie AC-3 RF OUT, veillez à raccorder cette prise à la prise LD AC-3 RF IN de l'amplificateur de contrôle. Vous pourrez ainsi écouter le son surround multicanaux d'un logiciel LD encodé avec Dolby Digital (AC-3).

Cordons nécessaires

Cordons numériques optiques (non fournis)


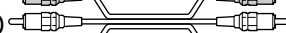

Noir  Noir

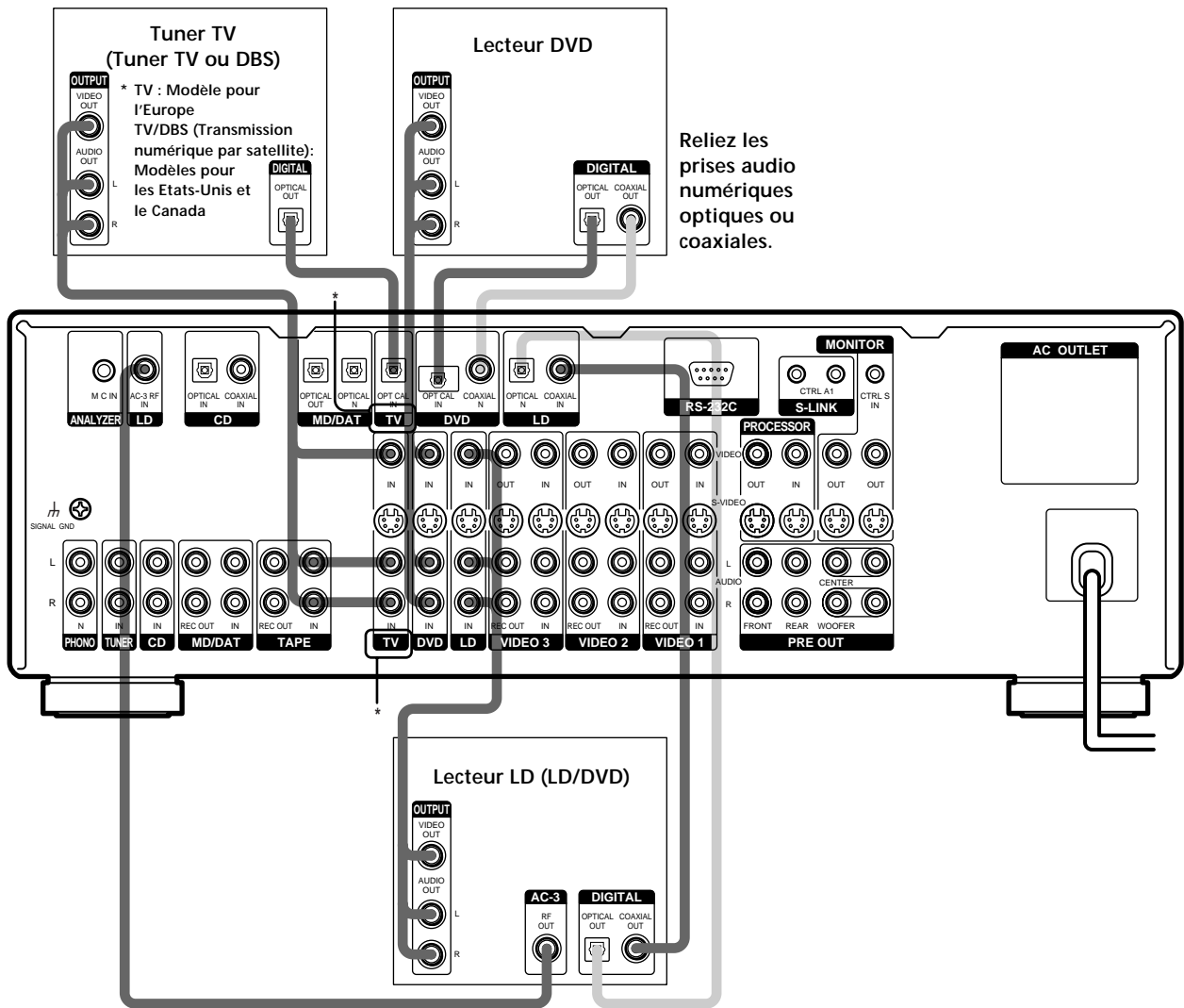
Cordon numérique coaxial (non fourni)

Jaune  Jaune

Cordons audio/vidéo (non fournis)

Lorsque vous raccordez des appareils, veillez à insérer les fiches dans les prises de même couleur.

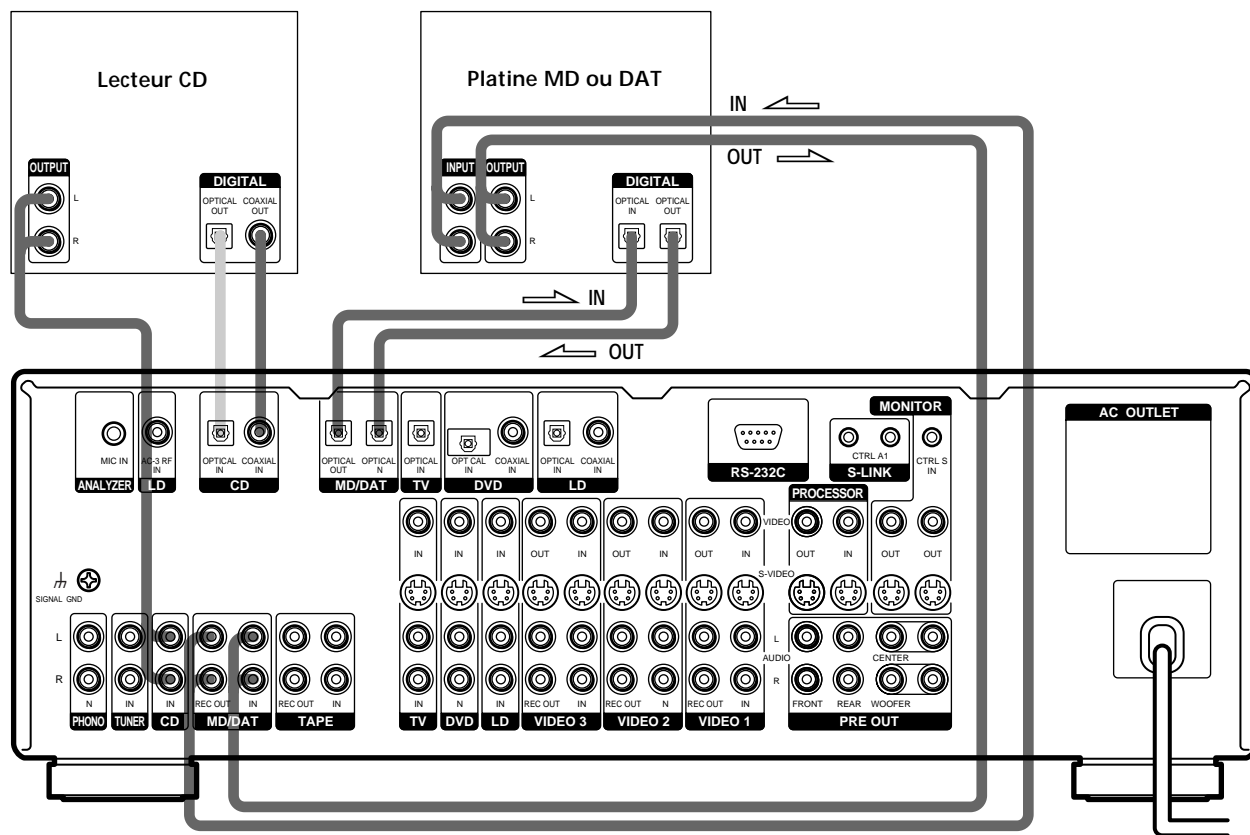
Jaune (vidéo)  Jaune (vidéo)
 Blanc (G/audio)  Blanc (G/audio)
 Rouge (D/audio)  Rouge (D/audio)



Reliez les prises audio numériques optiques ou coaxiales.

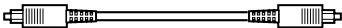
Reliez la prise de sortie numérique de votre platine MD ou DAT à la prise d'entrée numérique de l'amplificateur de contrôle et la prise d'entrée numérique de la platine MD ou DAT à la prise de sortie numérique de l'amplificateur de contrôle. Ces liaisons vous permettent d'effectuer des enregistrements numériques de CD et d'émissions de télévision.

Reliez les prises audio numériques optiques ou coaxiales.



Cordons nécessaires

Cordons numériques optiques (non fournis)

Noir  Noir

Cordons audio (non fournis)

Lorsque vous raccordez des appareils, veillez à insérer les fiches dans les prises de même couleur.

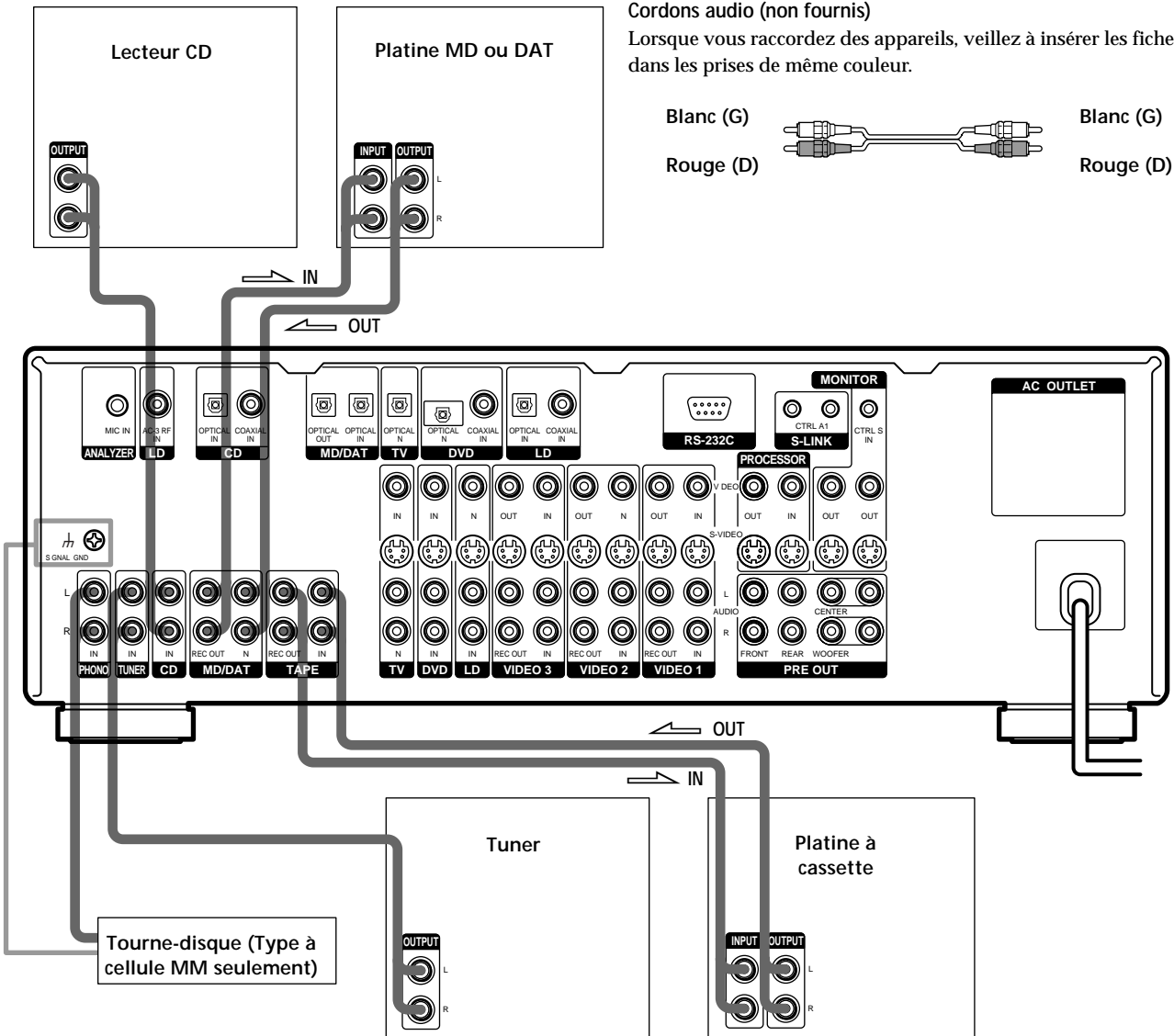
Blanc (G)  Blanc (G)

Rouge (D)  Rouge (D)

Remarques

- Notez que vous ne pouvez pas effectuer d'enregistrement numérique d'un signal numérique surround multicanaux.
- Toutes les prises COAXIAL IN et la prise DVD OPTICAL IN sont compatibles avec les fréquences d'échantillonnage de 32 kHz, 44,1 kHz, 48 kHz et 96 kHz et l'adressage 24 bits. Les prises CD, MD/DAT, et LD OPTICAL IN ne sont pas compatibles avec les signaux numériques 96 kHz/24 bits.
- Il n'est pas possible d'enregistrer des signaux analogiques sur MD/DAT, TAPE et VIDEO avec des liaisons numériques seulement. Veillez à relier vos appareils numériquement et analogiquement.

Raccordement d'appareils audio




Remarque sur le raccordement des appareils audio

Si votre tourne-disque a un fil de terre, raccordez-le à la borne SIGNAL GND \hbar de l'amplificateur de contrôle.

Raccordement d'appareils vidéo

Remarque sur le raccordement des appareils vidéo

Vous pouvez raccorder les prises de sortie audio du téléviseur aux prises TV (TV/DBS) AUDIO IN de l'amplificateur de contrôle pour appliquer les effets sonores au son du téléviseur. Dans ce cas, ne reliez pas la prise de sortie vidéo du téléviseur à la prise TV (TV/DBS) VIDEO IN de l'amplificateur de contrôle. Si vous raccordez un tuner TV autonome, reliez les prises de sortie audio et vidéo à l'amplificateur de contrôle de la façon indiquée ci-dessus.

 Pour raccorder un appareil qui altère le signal vidéo Utilisez les prises PROCESSOR. Vous pouvez raccorder un titreur ou processeur vidéo (etc.). Quand vous fournissez les signaux vidéo reçus à cet appareil à partir des prises PROCESSOR OUT et fournissez le signal altéré aux prises PROCESSOR IN, ce signal est fourni par les prises MONITOR OUT et VIDEO REC OUT (voir le "Schéma général des signaux vidéo" à la page 48 pour les détails). Pour utiliser les prises PROCESSOR, réglez le paramètre "V. PROCESSOR" du menu CUSTOMIZE sur "ON" (voir page 38).

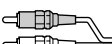
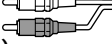

Remarques sur les prises S-VIDEO

- Quand vous utilisez les prises S-VIDEO au lieu des prises VIDEO, votre moniteur peut aussi être raccorder par l'intermédiaire d'une prise S-VIDEO. Les signaux S-vidéo sont transmis par un bus différent des signaux vidéo et ne seront pas fournis par les prises VIDEO.
- La prise S-VIDEO MONITOR OUT de cet appareil est capable de commuter automatiquement entre les formats d'écran large et normal. Pour déterminer si vos appareils vidéo et/ou votre moniteur sont compatibles avec la commutation automatique de format, reportez-vous aux modes d'emploi fournis avec vos appareils.


Cordons nécessaires

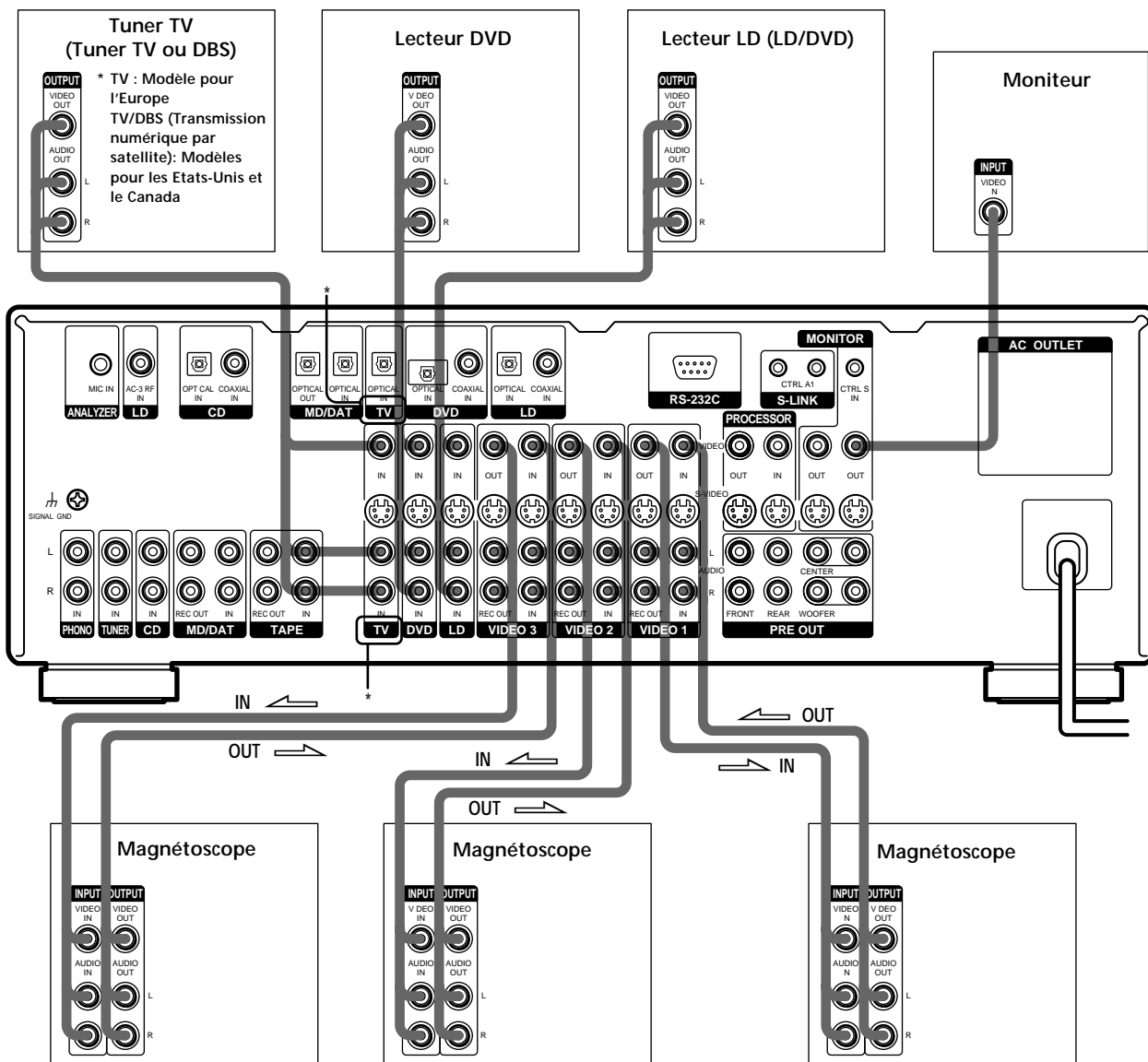
Cordons audio/vidéo (non fournis)

Lorsque vous raccordez des appareils, veillez à insérer les fiches dans les prises de même couleur.

Jaune (vidéo)  Jaune (vidéo)
Blanc (G/audio)  Blanc (G/audio)
Rouge (D/audio)  Rouge (D/audio)

Cordon vidéo pour le raccordement d'un moniteur TV (non fourni)

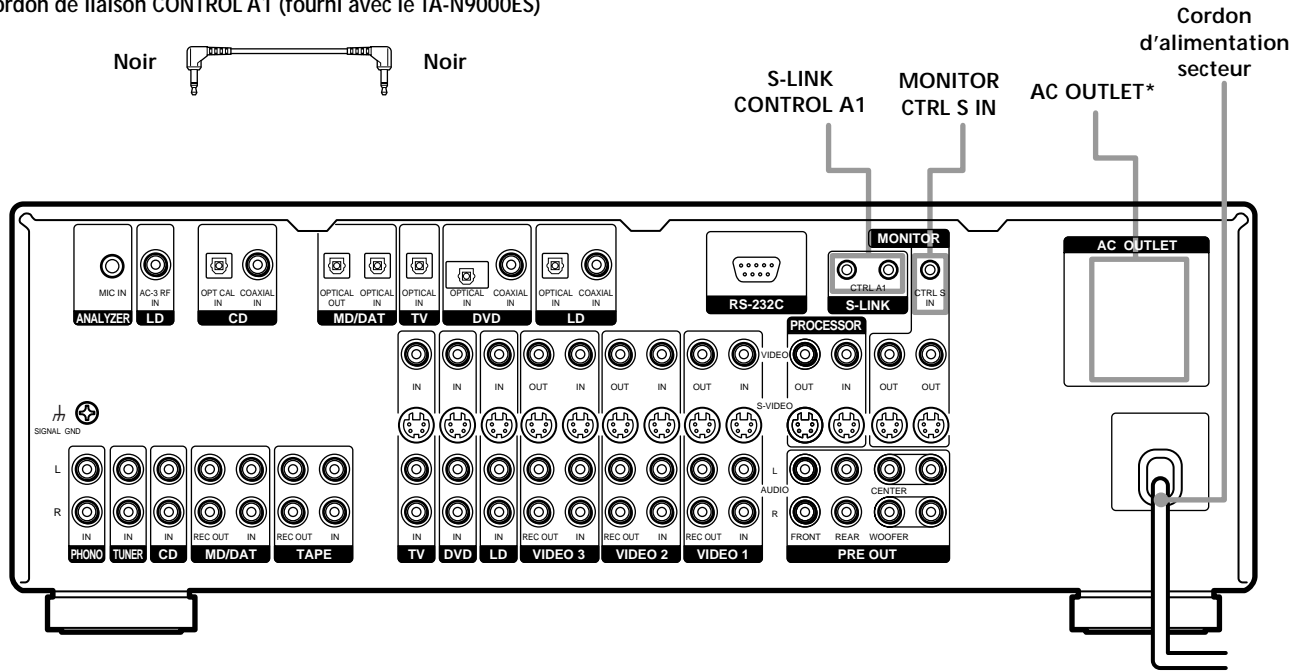
Jaune  Jaune



Autres raccords

Cordons nécessaires

Cordon de liaison CONTROL A1 (fourni avec le TA-N9000ES)



* La configuration, la forme et le nombre de prises secteur sur le panneau arrière dépendent du pays où l'amplificateur de contrôle est commercialisé.

A une prise murale

Raccordement à la prise S-LINK CONTROL A1

- Pour mettre votre amplificateur de puissance cinq canaux TA-N9000ES sous ou hors tension automatiquement à la mise sous ou hors tension de l'amplificateur de contrôle avec la télécommande fournie**

Utilisez un cordon CONTROL A1 (fourni avec le TA-N9000ES) pour raccorder la prise S-LINK CTRL A1 de l'amplificateur de puissance cinq canaux à la prise S-LINK CTRL A1 de l'amplificateur de contrôle. Si vous avez plus d'un amplificateur de puissance cinq canaux TA-N9000ES, utilisez des cordons CONTROL A1 supplémentaires pour les raccorder les uns aux autres. Seul un amplificateur de puissance doit être raccordé directement à l'amplificateur de contrôle. Reportez-vous à "Système de commande CONTROL-A1" à la page 41 et au mode d'emploi fourni avec l'amplificateur de puissance pour les détails.

- Si vous avez un lecteur CD, une platine à cassette ou une platine MD Sony, compatible avec le système S-LINK CONTROL A1**

Utilisez un cordon CONTROL A1 (non fourni) pour relier la prise S-LINK CTRL A1 du lecteur CD, de la platine à cassette ou de la platine MD à la prise S-LINK CTRL A1 de l'amplificateur de contrôle. Consultez "Système de commande CONTROL-A1" à la page 41, et le mode d'emploi fourni avec le lecteur CD, la platine à cassette ou la platine MD pour les détails.

Remarque

Si vous effectuez une liaison CONTROL A1 entre l'amplificateur de contrôle et une platine MD qui est aussi raccordée à un ordinateur, ne faites pas fonctionner l'amplificateur de contrôle quand vous utilisez l'Editeur MD Sony. Un dysfonctionnement peut s'ensuivre.
- Si vous avez un changeur CD Sony avec sélecteur COMMAND MODE**

Si le sélecteur COMMAND MODE du changeur CD peut être réglé sur CD 1, CD 2 ou CD 3, veillez à le régler sur "CD 1" et à raccorder le changeur aux prises CD de l'amplificateur de contrôle. Mais si vous avez un changeur CD Sony avec prises VIDEO OUT, réglez le mode de commande sur "CD 2" et raccordez le changeur aux prises VIDEO 2 de l'amplificateur de contrôle.

Raccordement à MONITOR CTRL S IN (Modèles pour les Etats-Unis et le Canada seulement)

Si vous avez un moniteur TV équipé d'une prise CTRL S OUT

Utilisez un cordon CONTROL S (non fourni) pour raccorder la prise CTRL S OUT du moniteur à la prise MONITOR CTRL S IN de l'amplificateur de contrôle. Vous pouvez ainsi mettre votre moniteur TV Sony automatiquement sous tension à la mise sous tension de l'amplificateur de contrôle avec la télécommande fournie. Consultez le mode d'emploi fourni avec votre moniteur TV Sony pour les détails.

Raccordement du cordon d'alimentation secteur

Avant de raccorder le cordon d'alimentation secteur de l'amplificateur de contrôle à une prise murale:

- Tournez la commande MASTER VOLUME complètement vers la gauche (position 0).

Raccordez le(s) cordon(s) d'alimentation secteur de l'autre ou des autres appareils audio/vidéo à une ou plusieurs prise(s) murale(s).

Si vous avez raccordé des appareils audio/vidéo à la (aux) prise(s) AC OUTLET de l'amplificateur de contrôle, ils seront alimentés par ce dernier. Ainsi, votre chaîne complète se mettra sous ou hors tension en même temps que l'amplificateur de contrôle.

Attention

Vérifiez que la consommation électrique totale de tous les appareils raccordés à la (aux) prise(s) AC OUTLET de l'amplificateur de contrôle ne dépasse pas le nombre de watts indiqué sur le panneau arrière. Ne raccordez pas d'appareils électriques à haute consommation, comme un fer à repasser, un ventilateur ou un téléviseur à cette prise.

Nomenclature et opérations élémentaires

Ce chapitre vous indique l'emplacement et la fonction des touches et commandes du panneau avant et des prises variées du panneau arrière. Il décrit aussi les opérations élémentaires.

Description des éléments du panneau avant

1 Commutateur ①

Sert à mettre l'amplificateur de contrôle sous et hors tension.

- Avant de mettre l'amplificateur de contrôle sous tension, assurez-vous que la commande MASTER VOLUME a été complètement tournée vers la gauche pour éviter d'endommager les haut-parleurs d'enceintes.

Indicateur STANDBY

Cet indicateur s'allume quand l'amplificateur de contrôle est mis hors tension (mode de veille) et s'éteint quand l'amplificateur de contrôle est mis sous tension.

2 Sélecteur INPUT SELECTOR

Tournez cette commande pour sélectionner l'appareil que vous souhaitez utiliser.

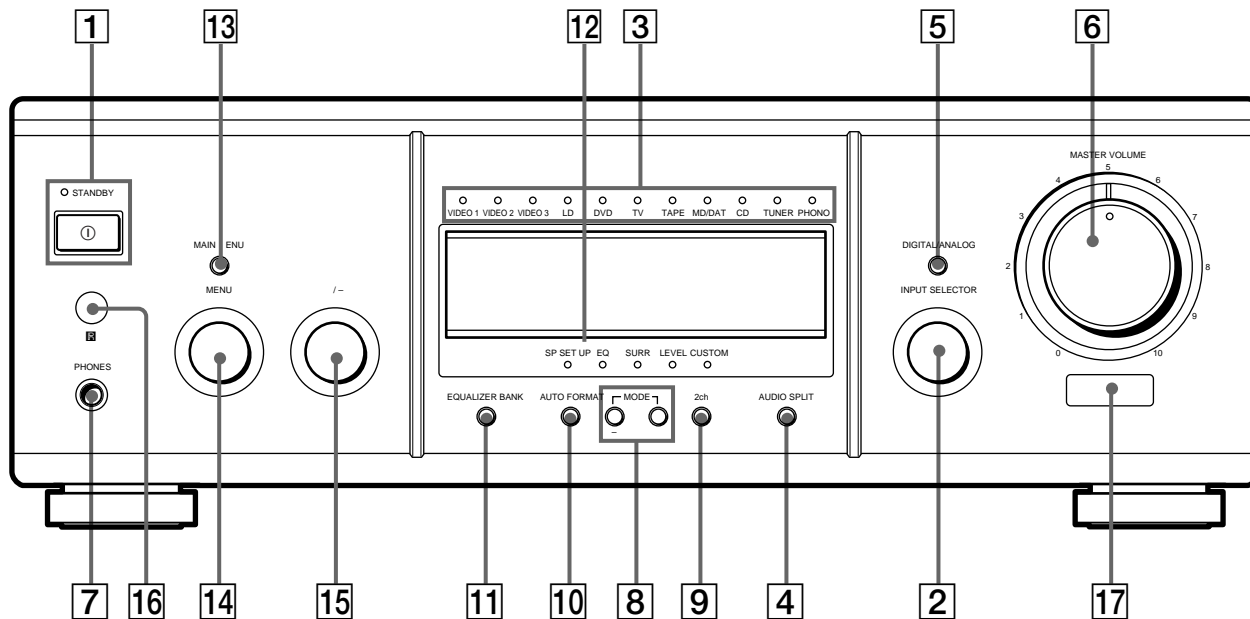
Pour sélectionner	Tournez la commande pour allumer
un magnétoscope	VIDEO 1, VIDEO 2 ou VIDEO 3
un lecteur LD	LD
un lecteur DVD	DVD
un téléviseur	TV (Europe seulement)
un téléviseur ou un récepteur DBS	TV/DBS (Etats-Unis/Canada seulement)
une platine à cassette	TAPE
une platine MD ou DAT	MD/DAT
un lecteur CD	CD
un tuner	TUNER
un tourne-disque	PHONO

Après avoir sélectionné l'appareil, mettez-le sous tension et reproduisez la source de programme.

- Après avoir sélectionné le magnétoscope, le lecteur LD ou le lecteur DVD, mettez le téléviseur sous tension et réglez l'entrée vidéo du téléviseur.

3 Indicateurs d'entrée

Ces indicateurs s'allument pour indiquer la/les source(s) de programme actuelle(s).



4 Touche AUDIO SPLIT

Appuyez sur cette touche pour sélectionner et reproduire une source audio en combinaison avec l'appareil sélectionné.

- 1 Tournez INPUT SELECTOR pour sélectionner un appareil vidéo.
- 2 Appuyez sur AUDIO SPLIT à plusieurs reprises pour sélectionner une source audio différente ou appuyez une fois sur AUDIO SPLIT pour afficher les réglages actuels et tournez +/- pour sélectionner la source audio différente. L'affichage passe à "V:XXX A:XXX" pour indiquer les sources vidéo (V:XXX) et audio (A:XXX).

Pour annuler AUDIO SPLIT

Appuyez en continu sur AUDIO SPLIT pendant au moins deux secondes.

Indicateurs d'entrée

Normalement, l'indicateur au-dessus de l'entrée sélectionnée s'allume en orange. Néanmoins, quand AUDIO SPLIT est utilisé pour sélectionner une source audio différente, l'indicateur d'entrée vidéo s'allume en vert et l'indicateur d'entrée audio en orange.

Remarque

Quand vous utilisez AUDIO SPLIT, l'entrée (numérique/analogique) de la source audio sélectionnée est automatiquement réglée sur "AUTO" (voir "5 Touche DIGITAL/ANALOG" pour les détails).

5 Touche DIGITAL/ANALOG

Appuyez sur cette touche pour sélectionner des signaux audio numériques ou analogiques pour vos appareils numériques (DVD, LD, TV (TV/DBS), CD et MD/DAT).

A chaque pression sur cette touche, l'entrée de l'appareil actuellement sélectionné change de la façon suivante:

Sélectionnez	Pour
AUTO	Donner la priorité aux signaux numériques quand des connexions numériques et analogiques sont présentes. S'il n'y a pas de signal numérique, les signaux analogiques seront sélectionnés. L'ordre de priorité est le suivant: ① AC-3 RF ② DIGITAL (OPTICAL) ou (COAXIAL) ③ ANALOG
ANALOG	Spécifier l'entrée des signaux audio analogiques via les prises AUDIO IN (L et R).
DIGITAL (OPTICAL)	Spécifier l'entrée des signaux audio numériques via les prises DIGITAL OPTICAL IN.
DIGITAL (COAXIAL)	Spécifier l'entrée des signaux audio numériques via la prise DIGITAL COAXIAL IN. (CD, DVD, LD seulement)
AC-3 RF	Spécifier l'entrée des signaux de fréquences radio à la prise AC-3 RF IN. (LD seulement)

La touche DIGITAL/ANALOG s'allume quand INPUT SELECTOR est utilisé pour sélectionner un appareil dont l'entrée est réglée sur autre chose que "AUTO".


Description des éléments du panneau avant

6 Commande MASTER VOLUME

Après avoir mis l'appareil sélectionné sous tension, tournez cette commande pour régler le volume.

7 Prise PHONES

Utilisez cette prise pour raccorder un casque stéréo. Le raccordement d'un casque coupe la sortie des prises PRE OUT.

 Le son fourni par la prise PHONES de cet amplificateur peut être reproduit en surround virtuel

Lorsque vous écoutez des enregistrements effectués dans le format audio multicanal (Dolby Digital, Dolby Pro Logic, DVD codé en DTS, etc.), le surround virtuel simule la restitution du son sur plusieurs enceintes installées à des positions précises autour de l'auditeur. Lorsque vous raccordez un casque, "V. MOVIE PHONES" apparaît sur l'afficheur. Le surround virtuel s'active automatiquement à la lecture d'enregistrements de format audio multicanal. Cependant, si vous appuyez sur 2ch ou AUTO FORMAT, ou utilisez ce mode lorsque le champ sonore est désactivé, vous obtiendrez un mixage stéréo des 2 canaux sur le casque.

8 Touches MODE +/-

Appuyez sur ces touches à plusieurs reprises pour sélectionner le champ sonore souhaité. Pour les détails, voir "Sélection d'un champ sonore" à la page 23.

9 Touche 2ch


Appuyez sur cette touche pour désactiver les champs sonores et fournir le son de la source sélectionnée par les enceintes avant gauche et droite seulement. Pour les détails, voir "SURROUND OFF (2ch)" à la page 26.

10 Touche AUTO FORMAT

Appuyez sur cette touche pour régler l'appareil de telle façon qu'il puisse détecter automatiquement le type de signaux reçus et effectuer le décodage correct. Ce mode présente le son tel qu'il a été enregistré/codé sans effets spéciaux. Pour les détails, voir "AUTO FORMAT DECODING" à la page 26.

11 Touche EQUALIZER BANK

Appuyez sur cette touche à plusieurs reprises pour sélectionner un égaliseur (EQ PRESET 1-5) ou désactiver l'égaliseur (EQUALIZER OFF).

 Pour maintenir la plus grande fidélité possible à la source originale

Effectuez les opérations suivantes pour contourner les circuits de champs sonores et de l'égaliseur.

1 Appuyez sur EQUALIZER BANK pour désactiver l'égaliseur.

2 • Quand vous écoutez des sources multicanal, appuyez sur AUTO FORMAT pour annuler le traitement de champ sonore.

• Quand vous écoutez des sources deux canaux (stéréo), appuyez sur 2ch pour annuler le traitement de champ sonore.

Vous obtiendrez un son très fidèle à la source de programme.

12 Indicateurs de menu

Ces indicateurs s'allument pour indiquer le menu sélectionné à l'aide de la touche MAIN MENU (13).

13 Touche MAIN MENU

Appuyez sur cette touche à plusieurs reprises pour sélectionner un des menus suivants. L'indicateur de menu correspondant (12) s'allumera aussi.

Quand le menu est	Vous pouvez
SP SETUP	Spécifier la taille des enceintes, leur position et leur fréquence de recouvrement (page 18).
EQUALIZER	Ajuster la courbe d'égalisation (grave/médium/aigu) des enceintes avant, centrale et arrière ou supprimer les préséglages mémorisés de l'égaliseur (page 32).
SURROUND	Régler les divers paramètres surround (niveau de l'effet, type de paroi, etc.), et ajuster la tonalité d'ensemble du champ sonore (page 34).
LEVEL	Ajuster la balance des enceintes, le volume, et la plage dynamique d'ensemble, etc. (page 35).
CUSTOMIZE	Effectuer une série de réglages variés et personnaliser la façon dont l'amplificateur de contrôle fonctionne (page 38).

14 Bouton MENU

Tournez ce bouton pour sélectionner un paramètre du menu actuel.

15 Bouton +/-

Tournez ce bouton pour changer le réglage du paramètre sélectionné.

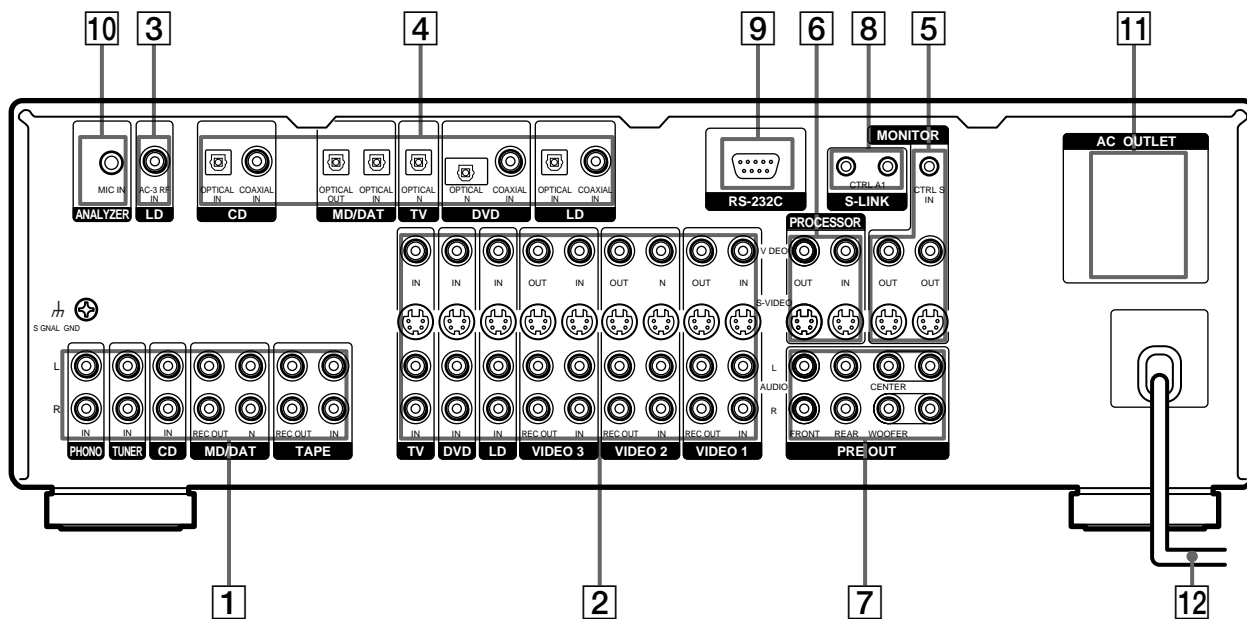
16 Capteur IR

Reçoit les signaux infrarouges transmis par la télécommande.

17 Emetteur IR

Transmet les signaux infrarouges à la télécommande.

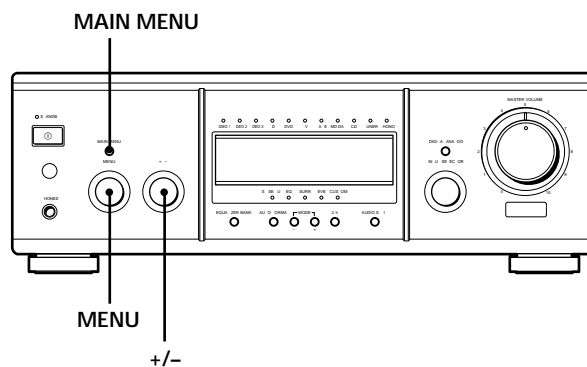
Description des éléments du panneau arrière



- 1** Prises audio IN et REC OUT
Raccordez ces prises aux sorties et entrées audio analogiques de vos appareils audio (voir page 8).
- 2** Prises vidéo IN et REC OUT
Raccordez ces prises aux sorties et entrées vidéo et audio analogiques de vos appareils vidéo (voir page 9).
- 3** Prise LD AC-3 RF IN
Raccordez cette prise à la prise AC-3 RF OUT de votre lecteur LD (LD/DVD) (voir page 6).
- 4** Prises numériques IN et OUT
Raccordez ces prises aux sorties et entrées numériques optiques ou coaxiales de vos appareils audio et vidéo (voir pages 6 et 7).
- 5** Prises MONITOR
Raccordez ces prises à l'entrée vidéo de votre téléviseur ou moniteur (voir page 9).
- 6** Prises PROCESSOR
Utilisez ces prises pour raccorder un processeur vidéo ou un titre vidéo pour altérer les signaux vidéo fournis à cet appareil. Pour les détails, voir "Raccordement d'appareils vidéo" à la page 9 et "Schéma général des signaux vidéo" à la page 48. Pour utiliser les prises PROCESSOR, réglez le paramètre "V. PROCESSOR" du menu CUSTOMIZE sur "ON" (voir page 38).
- 7** Prises PRE OUT
Raccordez ces prises à votre/vos amplificateur(s) de puissance (voir page 5).
- 8** Prises S-LINK
Utilisez ces prises pour raccorder d'autres appareils Sony (voir page 10).
- 9** Prise RS-232
Pour l'utilisation avec des mises à jour ultérieures.
- 10** Prise ANALYZER
Pour l'utilisation avec des mises à jour ultérieures.
- 11** Prise(s) AC OUTLET
L'alimentation est fournie ou non par la ou les prises de courant en fonction de la mise sous ou hors tension de l'amplificateur de contrôle.
- 12** Cordon d'alimentation secteur
Raccordez ce cordon à une prise murale.

Utilisation du son surround

Ce chapitre indique comment positionner chaque enceinte, et comment régler vos enceintes pour obtenir un son surround multicanaux. Il indique aussi comment régler l'amplificateur de contrôle pour obtenir un son surround. Vous bénéficierez aussi d'un son surround multicanaux à la lecture de disques codés dans le format Dolby Digital, DTS ou MPEG.



Brève description des touches utilisées pour le réglage du système acoustique

Touche MAIN MENU : Appuyez à plusieurs reprises sur cette touche pour sélectionner le menu souhaité. (<SP SETUP>, etc.)

Bouton MENU : Tournez ce bouton pour sélectionner un paramètre du menu actuel.

Bouton +/- : Tournez ce bouton pour régler le paramètre sélectionné.

Réglage des enceintes

- 1 Appuyez sur ① pour mettre l'amplificateur de contrôle sous tension.
- 2 Appuyez sur MAIN MENU à plusieurs reprises pour afficher "<SP SETUP>".
- 3 Tournez MENU pour sélectionner le paramètre que vous souhaitez ajuster.
- 4 Tournez +/- pour sélectionner le réglage souhaité. Le nouveau réglage devient effectif et est stocké automatiquement.
Pour des détails concernant les diverses valeurs disponibles pour chaque paramètre, voir pages 18-22.

Avant d'utiliser l'amplificateur de contrôle

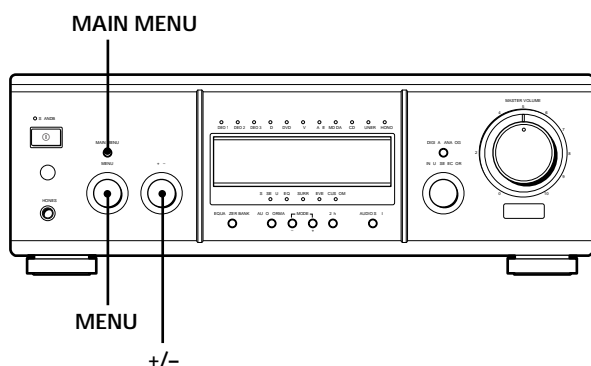
Avant de mettre l'amplificateur de contrôle sous tension

Assurez-vous que:

- Vous avez tourné la commande MASTER VOLUME complètement vers la gauche (position 0).

Annulation de la mémoire de l'amplificateur de contrôle

La première fois que vous utilisez l'amplificateur de contrôle, ou si vous voulez supprimer tous les pré-réglages effectués, annulez la mémoire de l'amplificateur de contrôle en procédant de la façon suivante.



1 Appuyez à plusieurs reprises sur MAIN MENU pour afficher "<CUSTOMIZE>".

2 Tournez "MENU" pour afficher "MEMORY CLEAR [NO]".

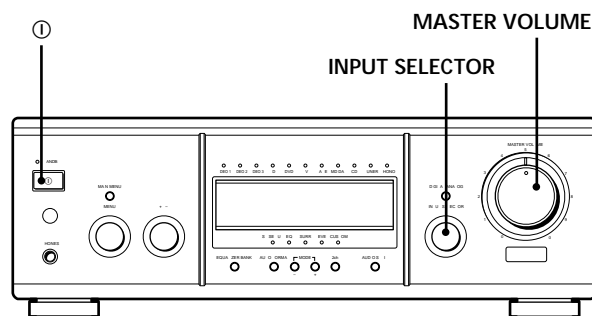
3 Tournez "+/-" pour afficher "MEMORY CLEAR [YES]".

Après quelques "Are you sure? (Etes-vous sûr?)" est affiché. Tournez +/- pour afficher de nouveau [YES] et attendez quelques secondes. L'appareil se met hors tension puis à nouveau sous tension et tous les réglages suivants sont ramenés à leur valeur d'usine ou supprimés.

- Tous les réglages de menu (réglage des enceintes, réglages de l'égaliseur, paramètres de champ sonore, etc.).
- Les réglages de l'égaliseur dans la banque de mémoire de l'égaliseur.

Vérification des raccordements

Après avoir raccordé tous les appareils à l'amplificateur de contrôle, procédez de la façon suivante pour vérifier si tous les raccordements sont corrects.



1 Appuyez sur ① pour mettre l'amplificateur de contrôle sous tension.

2 Tournez INPUT SELECTOR pour sélectionner un appareil (source de programme) qui a été relié (ex. lecteur CD ou platine à cassette) à l'amplificateur de contrôle.

3 Mettez l'appareil sous tension et commencez la lecture.

4 Tournez MASTER VOLUME pour augmenter le volume.

Si vous n'obtenez pas une sortie sonore normale après avoir effectué les opérations précédentes, recherchez-en la raison en vérifiant les points suivants et prenez les mesures nécessaires pour résoudre le problème.

Aucun son quel que soit l'appareil sélectionné.

- ➔ Assurez-vous que l'amplificateur de contrôle, le/ les amplificateur(s) de puissance et tous les appareils sont sous tension.
- ➔ Assurez-vous que la commande MASTER VOLUME n'est pas réglée sur 0.
- ➔ Si "MUTING" apparaît sur l'afficheur, appuyez sur MUTING de la télécommande pour mettre la fonction de coupure de son hors service.

Aucun son fourni par un appareil particulier

- ➔ Assurez-vous que l'appareil est raccordé correctement aux prises d'entrée audio prévues pour cet appareil.
- ➔ Assurez-vous que le ou les cordons utilisés pour la liaison sont bien insérés dans les prises de l'amplificateur de contrôle et de l'appareil.

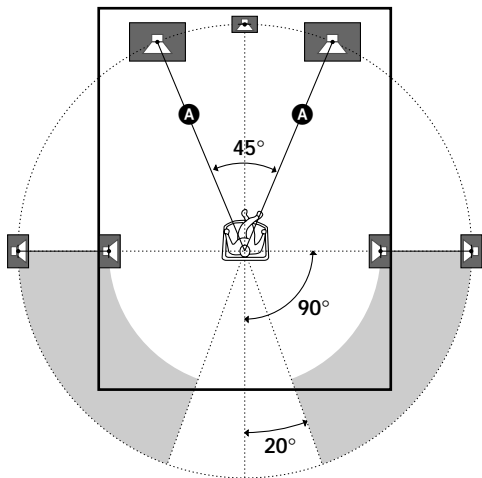
Si le problème n'est pas mentionné ci-dessus, reportez-vous à "Guide de dépannage" à la page 43.

Configuration du surround multicanaux

Pour obtenir le meilleur son surround possible, toutes les enceintes doivent être à égale distance de la position d'écoute (A).

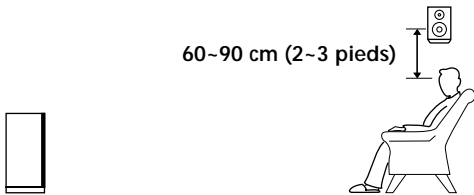
L'emplacement idéal des enceintes arrière est sur les deux côtés de la position d'écoute dans les zones indiquées en gris sur l'illustration. Même si les enceintes ne peuvent pas être placées à égale distance de la position d'écoute, il est possible de les placer (y compris le caisson de grave) à une distance de 1 à 12 m (3 à 40 pieds) de la position d'écoute. Dans ce cas, en réglant de façon précise la distance de chaque enceinte, la sortie sonore se réglera automatiquement pour produire l'effet surround optimal.

Utilisation du son surround

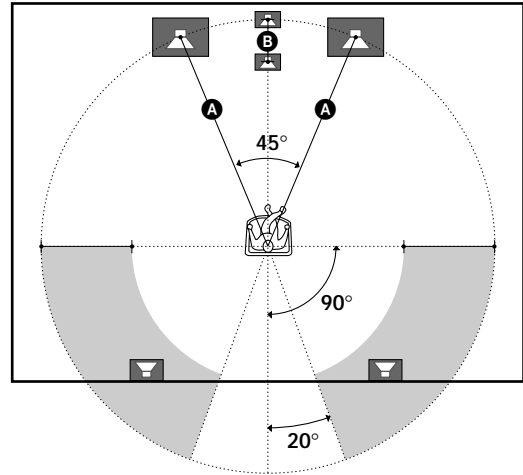


Remarques

- La distance entre les enceintes les plus proches et les enceintes les plus éloignées de la position d'écoute ne doit pas être supérieure à 8,4 m (27 pieds).
- Quand vous installez les enceintes arrière sur les côtés de la position d'écoute, la hauteur idéale des enceintes est d'environ 60 à 90 cm (2 à 3 pieds) au dessus de la hauteur des oreilles.



Selon la forme de votre pièce (etc.), vous voudrez peut-être installer les enceintes arrière derrière votre position d'écoute et non pas sur les murs latéraux (zone en gris). L'avantage est que vous pourrez utiliser des enceintes de sol de plus grandes dimensions et mieux adaptées à vos enceintes avant.



Remarque

Si vous installez les enceintes arrière derrière vous, veuillez à vérifier le réglage de position d'enceintes dans le menu SP SETUP quand vous utilisez un des champs sonores quelconques "VIRTUAL" (voir pages 20 et 23-24 pour les détails).

Réglage des enceintes

- 1 Appuyez sur ① pour mettre l'amplificateur de contrôle sous tension.
- 2 Appuyez à plusieurs reprises sur MAIN MENU pour afficher "SP SETUP".
- 3 Tournez MENU pour sélectionner le paramètre que vous souhaitez ajuster.
- 4 Tournez +/- pour sélectionner le réglage souhaité. Le nouveau réglage devient effectif et est stocké automatiquement.
- 5 Répétez les étapes 3 et 4 jusqu'à ce que tous les paramètres suivants soient réglés. Le menu s'éteint quand vous utilisez un des autres boutons ou touches.

■ Taille des enceintes avant

FRONT SP [LARGE]

Réglage initial : LARGE

- Si vous raccordez des enceintes avant de grande taille qui restituent efficacement les basses fréquences, sélectionnez "LARGE". Normalement, sélectionnez "LARGE".
- Si le son présente de la distorsion, ou s'il vous semble que les effets surround sont médiocres quand vous utilisez le son surround multicanaux, sélectionnez "SMALL" pour activer le circuit de réaiguillage du grave. Les basses fréquences de la voie avant seront restituées par le caisson de grave.

■ Taille de l'enceinte centrale

CENTER SP [LARGE]

Réglage initial : LARGE

- Si vous raccordez une enceinte centrale de grande taille qui reproduit efficacement les basses fréquences, sélectionnez "LARGE". Normalement, sélectionnez "LARGE".
- Si le son présente de la distorsion, ou s'il vous semble que les effets surround sont médiocres quand vous utilisez le son surround multicanaux, sélectionnez "SMALL" pour activer le circuit de réaiguillage du grave. Les basses fréquences de la voie centrale seront restituées par les enceintes avant (si elles sont réglées sur "LARGE") ou par le caisson de grave.*¹
- Si vous ne raccordez pas d'enceinte centrale, sélectionnez "NO".
Le son de la voie centrale sera fourni par les enceintes avant.*²

■ Taille des enceintes arrière

REAR SP [LARGE]

Réglage initial : LARGE

- Si vous raccordez des enceintes arrière de grande taille qui reproduisent efficacement les basses fréquences, sélectionnez "LARGE". Normalement, sélectionnez "LARGE".
- Si le son présente de la distorsion, ou s'il vous semble que les effets surround sont médiocres quand vous utilisez le son surround multicanaux, sélectionnez "SMALL" pour activer le circuit de réaiguillage du grave. Les basses fréquences de la voie arrière seront restituées par le caisson de grave ou d'autres enceintes réglées sur "LARGE".
- Si vous ne raccordez pas d'enceintes arrière, sélectionnez "NO". Le son de la voie arrière sera fourni par les enceintes avant.*³

🔊 *1~*3 correspondent aux modes Dolby Pro Logic suivants

*¹ NORMAL

*² PHANTOM

*³ 3 STEREO

(*² + *³ = mode 2 voies).

🔊 Au sujet de la taille des enceintes (LARGE et SMALL)

De façon interne, les réglages LARGE et SMALL de chaque enceinte déterminent si le processeur de son interne doit couper ou non le signal grave d'une voie. Lorsque le grave d'une voie est coupé, le circuit de réaiguillage du grave transmet les basses fréquences correspondantes au caisson de grave ou à une autre enceinte réglée sur "LARGE".

Cependant, comme les sons de basses fréquences se caractérisent en partie par leur directionnalité, il vaut mieux ne pas les couper. Même lorsque vous utilisez des enceintes de petites dimensions, vous pouvez sélectionner "LARGE" si vous voulez que ces enceintes fournissent les basses fréquences. Si par contre, vous utilisez des enceintes de grandes dimensions, mais ne voulez pas qu'elles fournissent les basses fréquences, réglez-les sur "SMALL".

Si le niveau général du son est à votre avis trop faible, réglez toutes les enceintes sur "LARGE". Si les basses fréquences sont insuffisantes, vous pourrez utiliser un égaliseur pour amplifier le niveau du grave. Pour le réglage de l'égaliseur, voir page 32.

■ Sélection du caisson de grave

SUB WOOFER [YES]

Réglage initial : YES

- Si vous raccordez un caisson de grave, sélectionnez "YES".
- Si vous ne raccordez pas un caisson de grave, sélectionnez "NO". Le circuit de réaiguillage du grave s'activera et fournira les signaux LFE des autres enceintes.
- Pour profiter au maximum du circuit de réaiguillage du grave, nous vous conseillons de régler la fréquence de coupure du caisson de grave le plus haut possible.

■ Distance des enceintes avant

FRONT XX.X meter

Réglage initial : 5,0 mètres

Réglez la distance de votre position d'écoute à l'enceinte avant (gauche ou droite) (A à la page 18).

- La distance des enceintes avant peut être réglée par paliers de 0,1 mètre (1 pied) de 1,0 à 12,0 mètres (3 à 40 pieds).
- Si les deux enceintes ne sont pas placées à égale distance de la position d'écoute, réglez sur la distance de l'enceinte la plus proche.

Configuration du surround multicanaux

■ Distance de l'enceinte centrale

CENTER XX.X meter

Réglage initial : 5,0 mètres

Réglez la distance de votre position d'écoute à l'enceinte centrale.

- La distance de l'enceinte centrale peut être réglée par paliers de 0,1 mètre (1 pied) de 1 à 12 mètres (3 à 40 pieds).

■ Distance des enceintes arrière

REAR XX.X meter

Réglage initial : 3,5 mètres

Réglez la distance de votre position d'écoute à l'enceinte arrière (gauche ou droite).

- La distance des enceintes arrière peut être réglée par paliers de 0,1 mètre (1 pied) de 1 à 12 mètres (3 à 40 pieds).
- Si les deux enceintes ne sont pas placées à égale distance de la position d'écoute, réglez sur la distance de l'enceinte la plus proche.

☼ Au sujet de la distance des enceintes

En effet, une mauvaise disposition des enceintes ne permet pas d'obtenir un son surround adéquat.

Notez aussi que la réduction de la distance d'une enceinte par rapport à sa position réelle entraînera un retard de la sortie du son de cette enceinte. En d'autres termes, vous aurez l'impression que le son vient de plus loin.

Par exemple, si vous réduisez de 1 à 2 m (3 à 6 pieds) la distance de l'enceinte centrale par rapport à sa position réelle, vous aurez l'impression d'être "dans" l'écran. Si vous ne parvenez pas à obtenir un effet surround satisfaisant parce que les enceintes arrière sont trop rapprochées, vous créez un espace sonore plus ample en réduisant le réglage de la distance des enceintes arrière. Le réglage de ces paramètres tout en contrôlant le son obtenu donne souvent un bien meilleur son surround. Essayez pour voir!

■ Distance du caisson de grave

S.W XX.X meter

Réglage initial : 5.0 mètre

Réglez la distance de votre position d'écoute au caisson de grave.

- La distance du caisson de grave peut être réglée de paliers de 0.1 mètre (1 pied) de 1 mètre à 12 mètres (3 à 40 pieds).

■ Polarité de la phase du caisson de grave

S.W PHASE [NORMAL]

Réglage initial : NORMAL

Réglez la polarité de la phase du caisson de grave.

En principe, il n'y a aucun problème lorsqu'elle est réglée sur "NORMAL". Toutefois, selon le type d'enceintes avant, la position du caisson de grave et la fréquence de coupure du caisson de grave, l'inversion de polarité (réglage "REVERSE") peut produire de meilleures graves. La richesse et l'intensité du son dans son ensemble peut en être également affecté. Sélectionnez donc le meilleur réglage de votre position en fonction de l'environnement.

■ Position des enceintes arrière*

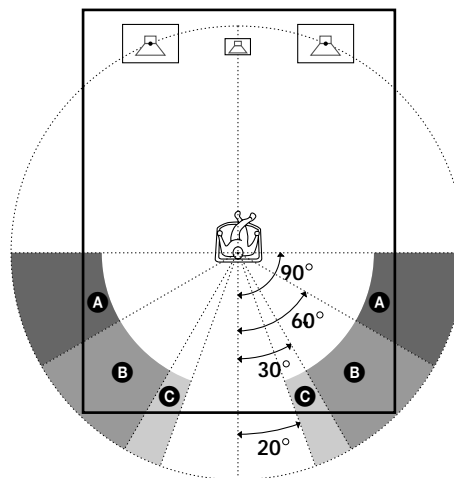
REAR POSI. [BEHIND]

Réglage initial : BEHIND

Ce paramètre permet de spécifier la position des enceintes arrière pour employer de façon adéquate les champs sonores "VIRTUAL" du Digital Cinema Sound. Reportez-vous à l'illustration ci-dessous.

- Sélectionnez "SIDE" si la position des enceintes arrière correspond à la section **A**.
- Sélectionnez "MIDDLE" si la position des enceintes arrière correspond à la section **B**.
- Sélectionnez "BEHIND" si la position des enceintes arrière correspond à la section **C**.

Ce réglage n'agit qu'avec les champs sonores "VIRTUAL".



* Ce paramètre n'est pas disponible quand le paramètre "Taille des enceintes arrière" est réglé sur "NO".

■ Hauteur des enceintes arrière*

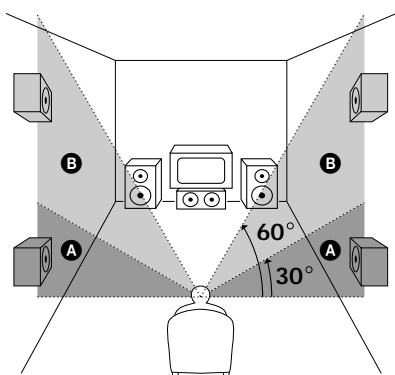
REAR HIGHT [LOW]

Réglage initial : LOW


Ce paramètre permet de désigner la hauteur des enceintes arrière pour employer de façon adéquate les champs sonores "VIRTUAL" du Digital Cinema Sound. Reportez-vous à l'illustration ci-dessous.

- Sélectionnez "LOW" si la position des enceintes arrière correspond à la section **A**.
- Sélectionnez "HIGH" si la position des enceintes arrière correspond à la section **B**.

Ce réglage n'agit qu'avec les champs sonores "VIRTUAL".



* Ce paramètre n'est pas disponible quand le paramètre "Taille des enceintes arrière" est réglé sur "NO".

 A propos de la position des enceintes arrière et de leur hauteur

Ces réglage sont prévus spécialement pour l'emploi des champs sonores Digital Cinema Sound "VIRTUAL".

Le paramètre de position des enceintes arrière vous permet de spécifier une des trois positions horizontales possibles. Le paramètre de hauteur des enceintes arrière vous permet de spécifier une des deux hauteurs possibles. Sélectionnez la combinaison de position et de hauteur qui se rapproche le plus de la position actuelle de vos enceintes arrière.

■ Fréquence de coupure des enceintes avant

FRONT SP > XXXHz

Réglage initial : > 80 Hz

Ce paramètre vous permet de sélectionner la fréquence de coupure du filtre passe-bas des enceintes avant (droite et gauche).

- Les basses fréquences inférieures à la fréquence de coupure sont divisées par le circuit de réaiguillage du grave et restituées par le caisson de grave ou d'autres enceintes de grande taille (LARGE). Afin d'éviter l'écrêtage, les fréquences au-dessous de la fréquence de coupure ne sont pas fournies par les enceintes avant.

■ Fréquence de coupure de l'enceinte centrale

CENTER SP > XXXHz

Réglage initial : > 80 Hz

Ce paramètre vous permet de sélectionner la fréquence de coupure du filtre passe-bas de l'enceinte centrale.

- Les basses fréquences inférieures à la fréquence de coupure sont divisées par le circuit de réaiguillage du grave et restituées par le caisson de grave ou d'autres enceintes de grande taille (LARGE). Afin d'éviter l'écrêtage, les fréquences au-dessous de la fréquence de coupure ne sont pas fournies par l'enceinte centrale.


■ Fréquence de coupure des enceintes arrière

REAR SP > XXXHz

Réglage initial : > 80 Hz

Ce paramètre vous permet de sélectionner la fréquence de coupure du filtre passe-bas des enceintes arrière (droite et gauche).

- Les basses fréquences inférieures à la fréquence de coupure sont divisées par le circuit de réaiguillage du grave et restituées par le caisson de grave ou d'autres enceintes de grande taille (LARGE). Afin d'éviter l'écrêtage, les fréquences au-dessous de la fréquence de coupure ne sont pas fournies par les enceintes arrière.

 A propos des paramètres de fréquence de coupure
Ces paramètres sont conçus pour vous permettre d'éviter l'écrêtage en éliminant la sortie des basses fréquences des enceintes de petite taille (SMALL). Veillez à régler la fréquence de coupure de telle façon que l'écrêtage ne se produise pas au niveau des enceintes respectives.

■ Unité de distance

DIST.UNIT [meter]


Réglage initial : (dépend du lieu d'achat)


Le pied ou mètre peut être sélectionné comme unité de mesure pour le réglage de la distance. 1 pied correspond à une différence de 1 ms.

Réglage du volume des enceintes


Utilisez la télécommande pour régler le volume de chaque enceinte à partir de votre position d'écoute.

Pour de plus amples informations sur la télécommande, reportez-vous au mode d'emploi séparé "Remote Commander" fourni avec cet appareil.

- 1 Appuyez sur  pour mettre l'amplificateur de contrôle sous tension.
- 2 Touchez SOUND FIELD sur la télécommande fournie pour afficher l'écran SOUND FIELD.
- 3 Touchez LEVEL sur la télécommande fournie pour afficher l'écran LEVEL.
- 4 Appuyez sur TEST TONE de la télécommande fournie.
Le signal de test sort successivement de chaque enceinte.
- 5 Réglez le niveau de volume de sorte que le signal de test sortant de chaque enceinte soit perçu au même volume à votre position d'écoute.
 - Pour régler la balance des enceintes avant droite et gauche, utilisez les commandes de balance avant de la télécommande (ou FRONT (L/R) du menu LEVEL (page 35)).
 - Pour régler la balance des enceintes arrière droite et gauche, utilisez la commande de balance arrière de la télécommande (ou REAR (L/R) du menu LEVEL (page 35)).
 - Pour régler le niveau de volume de l'enceinte centrale, utilisez la commande de niveau central de la télécommande (ou CENTER LEVEL du menu LEVEL (page 35)).
 - Pour régler le niveau de volume des enceintes arrière, utilisez la commande de niveau arrière de la télécommande (ou REAR LEVEL du menu LEVEL (page 35)).
- 6 Appuyez une nouvelle fois sur EXIT de la télécommande pour arrêter le signal de test.

 Vous pouvez régler le niveau de volume de toutes les enceintes en même temps


Tournez MASTER VOLUME sur l'amplificateur de contrôle ou appuyez sur MASTER VOLUME +/- de la télécommande.

 Vous pouvez fournir le signal de test via l'enceinte de votre choix

Normalement, le signal de test est fourni par chaque enceinte dans un certain ordre. Néanmoins, vous pouvez utiliser le menu LEVEL pour fournir le signal de test via une enceinte spécifique (voir page 35).

Remarques

- La balance arrière, le niveau central et le niveau arrière sont indiqués sur l'afficheur pendant le réglage.
- Bien que ces réglages puissent aussi être effectués depuis le panneau avant avec les paramètres du menu LEVEL (quand le signal de test est fourni, l'appareil passe automatiquement au menu LEVEL), il est conseillé de suivre la procédure décrite ci-dessus et d'ajuster les niveaux d'enceintes depuis la position d'écoute avec la télécommande.

 Lors du réglage du niveau de volume de chaque enceinte Supposons que vous avez ajusté le niveau sonore de chaque enceinte avec le signal de test. Bien que ce réglage soit apte à restituer un son surround de qualité, il pourra être nécessaire de l'affiner à la lecture de certains logiciels. Ceci est dû au fait que les voies centrale et arrière de la plupart des logiciels sont à un niveau légèrement inférieur à celui des deux voies avant. A la lecture de logiciels enregistrés dans le format surround multicanaux, vous noterez qu'une augmentation du niveau des enceintes centrale et arrière produit une meilleure fusion des voies avant et centrale et une plus grande homogénéité entre les enceintes avant et arrière. L'augmentation de 1 dB environ du niveau de l'enceinte centrale et de 1 à 2 dB environ du niveau des enceintes arrière produira dans la plupart des cas de meilleurs résultats.

En d'autres termes, pour créer un espace sonore homogène avec des dialogues équilibrés, il est conseillé de faire quelques réglages complémentaires en reproduisant le logiciel. Un changement de 1 dB seulement peut produire une énorme différence.

Sélection d'un champ sonore


Vous pouvez bénéficier du son surround en sélectionnant simplement le champ sonore préprogrammé le mieux adapté au programme écouté.


Appuyez à plusieurs reprises sur MODE +/- pour sélectionner le champ sonore souhaité.


Le champ sonore actuel est affiché, Voir le tableau commençant à la page suivante pour les détails sur chaque champ sonore.

Pour désactiver le champ sonore


Appuyez sur la touche 2ch ou AUTO FORMAT du panneau avant. Pour les détails, voir page 26.

 Vous pouvez identifier un logiciel codé en Dolby Surround grâce à l'indication sur l'emballage

Utilisez des disques portant le logo . Pour la lecture en Dolby Digital (AC-3) vous devez utiliser des disques portant ce logo.

 Les signaux sonores 96 kHz sont convertis au format 48 Hz avant le traitement par les champs sonores

Quand vous utilisez les modes 2ch ou AUTO FORMAT DECODING, les signaux 96 kHz sont reproduits sans conversion.

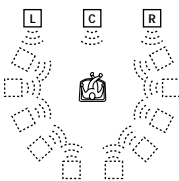
 Vous pouvez obtenir un son surround en utilisant un casque Le son fourni par la prise PHONES de cet amplificateur peut être en surround virtuel. Pour les détails, voir page 14.

Sélection d'un champ sonore

Champ sonore	Effet	Remarques
NORMAL SURROUND	Un logiciel contenant des signaux audio surround multicanaux est reproduit comme il a été enregistré. Un logiciel contenant des signaux audio à 2 voies est décodé en Dolby Pro Logic pour créer des effets surround.	
CINEMA STUDIO A	Reproduit les caractéristiques sonores du studio de production cinématographique "Cary Grant Theater" de Sony Pictures Entertainment.	C'est le mode standard. Excellent pour regarder la plupart des films.
CINEMA STUDIO B	Reproduit les caractéristiques sonores du studio de production cinématographique "Kim Novak Theater" de Sony Pictures Entertainment.	Ce mode est idéal pour regarder les films de science-fiction ou d'action contenant une grande quantité d'effets sonores.
CINEMA STUDIO C	Reproduit les caractéristiques sonores du studio d'arrangement musical de Sony Pictures Entertainment.	Ce mode est idéal pour regarder les comédies musicales ou les films classiques avec bande sonore musicale.
NIGHT THEATER	Permet d'obtenir une ambiance de cinéma lors de la visualisation de films à faible volume, en particulier la nuit.	
MONO MOVIE	Crée une ambiance de cinéma avec les films dont les bandes sonores sont en monophonie.	
STEREO MOVIE	Crée une ambiance de cinéma avec les films dont les bandes sonores sont en stéréophonie.	
VIRTUAL MULTI REAR	Emploie la représentation sonore 3D pour créer 3 paires d'enceintes arrière virtuelles à partir d'une seule paire d'enceintes arrière.	<div style="display: flex; flex-direction: column; align-items: flex-start;"> <div style="margin-bottom: 20px;"> <p>SIDE*</p> </div> <div> <p>MIDDLE* ou BEHIND*</p> </div> </div> <p style="text-align: right;">* Voir page 20</p>

Champ sonore	Effet	Remarques
VIRTUAL MULTI DIMENSION	Emploie la représentation sonore 3D pour créer tout un éventail d'enceintes arrière virtuelles, positionnées plus haut que l'auditeur, à partir d'une seule paire d'enceintes arrière. Ce mode crée 5 paires d'enceintes virtuelles qui entourent l'auditeur à un angle de 30° environ d'élévation.	<p>SIDE*</p>
VIRTUAL THEATER A	Ajoute la représentation sonore 3D de VIRTUAL MULTI DIMENSION à CINEMA STUDIO A. Reproduit les caractéristiques sonores du "Cary Grant Theater" et crée 5 paires d'enceintes virtuelles qui entourent l'auditeur (à un angle de 30° environ d'élévation) à partir d'une seule paire d'enceintes arrière.	<p>MIDDLE*</p>
VIRTUAL THEATER B	Ajoute la représentation sonore 3D de VIRTUAL MULTI DIMENSION à CINEMA STUDIO B. Reproduit les caractéristiques sonores du "Kim Novak Theater" et crée 5 paires d'enceintes virtuelles qui entourent l'auditeur (à un angle de 30° environ d'élévation) à partir d'une seule paire d'enceintes arrière.	<p>BEHIND*</p>
VIRTUAL THEATER C	Ajoute la représentation sonore 3D de VIRTUAL MULTI DIMENSION à CINEMA STUDIO C. Reproduit les caractéristiques sonores d'un studio d'arrangement musical et crée 5 paires d'enceintes virtuelles qui entourent l'auditeur (à un angle de 30° environ d'élévation) à partir d'une seule paire d'enceintes arrière.	<p>* Voir page 20</p>
VIRTUAL ENHANCED A	Emploie la représentation sonore 3D pour créer 3 paires d'enceintes arrière virtuelles avec le son des enceintes avant, sans utiliser les enceintes arrière actuelles.	
VIRTUAL ENHANCED B	Emploie la représentation sonore 3D pour créer 1 paire d'enceintes arrière virtuelles avec le son des enceintes avant, sans utiliser les enceintes arrière actuelles.	
VIRTUAL SEMI-MULTI DIMENSION	Emploie la représentation sonore 3D pour créer des enceintes arrière virtuelles avec le son des enceintes avant, sans utiliser les enceintes arrière actuelles. Ce mode crée 5 paires d'enceintes virtuelles qui entourent l'auditeur à un angle de 30° d'élévation.	
VIRTUAL SEMI-THEATER A	Ajoute la représentation sonore 3D de VIRTUAL SEMI-MULTI DIMENSION à CINEMA STUDIO A. Reproduit les caractéristiques sonores du "Cary Grant Theater" et crée 5 paires d'enceintes virtuelles qui entourent l'auditeur à un angle de 30° environ d'élévation avec le son des enceintes avant, sans utiliser les enceintes arrière actuelles.	

Sélection d'un champ sonore

Champ sonore	Effet	Remarques
VIRTUAL SEMI-THEATER B	Ajoute la représentation sonore 3D de VIRTUAL SEMI-MULTI DIMENSION à CINEMA STUDIO B. Reproduit les caractéristiques sonores du "Kim Novak Theater" et crée 5 paires d'enceintes virtuelles qui entourent l'auditeur à un angle de 30° environ d'élévation avec le son des enceintes avant, sans utiliser les enceintes arrière actuelles.	
VIRTUAL SEMI-THEATER C	Ajoute la représentation sonore 3D de VIRTUAL SEMI-MULTI DIMENSION à CINEMA STUDIO C. Reproduit les caractéristiques sonores d'un studio d'arrangement musical et crée 5 paires d'enceintes virtuelles qui entourent l'auditeur à un angle de 30° environ d'élévation avec le son des enceintes avant, sans utiliser les enceintes arrière actuelles.	
SMALL HALL	Reproduit l'acoustique d'une petite salle de concert rectangulaire.	Idéal pour restituer des sons doux.
LARGE HALL	Reproduit l'acoustique d'une grande salle de concert rectangulaire.	
OPERA HOUSE	Reproduit l'acoustique d'un opéra.	Idéal pour les comédies musicales et l'opéra.
JAZZ CLUB	Reproduit l'acoustique d'un club de jazz.	
DISCO/CLUB	Reproduit l'acoustique d'une discothèque/d'un club de danse.	
CHURCH	Reproduit l'acoustique d'une église en pierre.	
LIVE HOUSE	Reproduit l'acoustique d'un club de 300 places	Idéal pour la musique rock ou pop.
ARENA	Reproduit l'acoustique d'une salle de concert de 1000 places.	
STADIUM	Reproduit l'ambiance d'un grand stade en plein air.	Idéal pour les événements sportifs ou la musique électrique (amplifiée).
GAME	Permet d'obtenir un impact sonore maximal pour les jeux vidéo.	Réglez la console vidéo sur le mode stéréo avec les jeux pouvant restituer le son en stéréo.

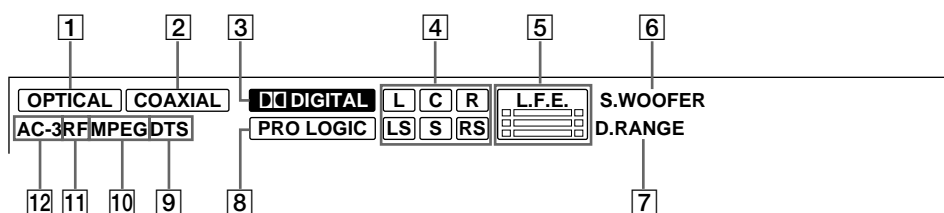
Remarques

- Les effets fournis par les champs VIRTUAL THEATER A, B et C peuvent entraîner une augmentation du bruit sur le signal de lecture.
- Si vous écoutez les champs sonores "VIRTUAL", vous ne pourrez pas écouter d'autres sons venant directement des enceintes arrière.

Utilisez les touches du panneau avant pour le fonctionnement dans les modes suivants

SURROUND OFF (2ch) (Appuyez sur la touche "2ch")	Fournit le son des enceintes avant gauche et droite seulement. Les sources standard deux voies (stéréo) contournent complètement le traitement de champ sonore. Les formats surround multicanaux sont mixés pour donner deux voies.	Vous pouvez ainsi reproduire une source quelconque avec les enceintes avant gauche et droite seulement.
AUTO FORMAT DECODING (Appuyez sur la touche "AUTO FORMAT")	Détecte automatiquement le type de signal audio fourni (Dolby Digital, DTS, MPEG, Dolby Pro Logic ou 2 voies stéréo) et effectue le décodage adéquat. Ce mode présente le son tel qu'il a été enregistré/codé, sans ajouter d'effets.	Vous pouvez utiliser ce mode comme référence. Réglez l'égaliseur sur OFF quand vous utilisez ce mode pour que le son soit restitué tel qu'il a été enregistré.

Signification des diverses indications du surround multicanaux



- 1** OPTICAL
S'allume quand le signal source est un signal numérique fourni par la prise OPTICAL.
- 2** COAXIAL
S'allume quand le signal source est un signal numérique fourni par la prise COAXIAL.
- 3** DIGITAL
Cet indicateur s'allume quand le champ sonore est activé et que l'appareil décode les signaux enregistrés dans le format Dolby Digital (AC-3).
- 4** Indicateurs des voies de lecture
Ces lettres s'allument pour indiquer les voies en cours de lecture.
L: Avant gauche R: Avant droite
C: Centrale (monophonie) LS: Gauche surround
RS: Surround droite
S: Surround (monophonie ou les composantes arrière obtenues par le traitement Pro Logic)
Les cadres qui entourent les lettres s'allument pour indiquer les enceintes utilisées pour restituer chaque voie.
Voir la page suivante pour les détails concernant les indicateurs des voies de lecture.
- 5** L.F.E.
Les lettres "L.F.E." s'allument quand le disque en cours de lecture contient la voie LFE (Low Frequency Effect). Quand le son du signal de la voie LFE est reproduit, les barres sous les lettres s'allument pour indiquer le niveau. Comme le signal LFE n'est pas enregistré dans l'intégralité du signal fourni, l'éclairage des barres peut fluctuer (et s'éteindre) pendant la lecture.
- 6** S.WOOFER
S'allume quand l'option caisson de grave est réglée sur "YES" et le son est fourni par le caisson de grave.
- 7** D. RANGE
S'allume quand la compression de plage dynamique est validée. Voir page 36 pour ajuster la compression de la plage dynamique.
- 8** PRO LOGIC
S'allume quand l'appareil applique aux signaux à deux voies le traitement Pro Logic pour fournir les signaux sur les voies centrale et surround.
- 9** DTS
S'allume quand les signaux DTS sont fournis.
- Remarques
- A la lecture d'un disque de format DTS, veillez à effectuer des liaisons numériques et à NE PAS régler DIGITAL/ANALOG sur ANALOG (voir **5**) à la page 13).
 - Du bruit peut être audible au début de la lecture d'un LD ou CD de format DTS. Il ne s'agit pas d'un dysfonctionnement.
- 10** MPEG
S'allume quand des signaux MPEG sont reçus.
- 11** RF
S'allume quand des signaux Dolby Digital (AC-3) RF sont reçus du lecteur LD (LD/DVD).
- 12** AC-3
S'allume quand des signaux Dolby Digital (AC-3) sont fournis.

Signification des diverses indications du surround multicanaux

Indication des voies de lecture

L'afficheur indique les voies en cours de lecture et les enceintes utilisées. Les lettres (L, C, R, etc.) s'allument pour indiquer les voies reproduites. Les cadres qui entourent les lettres s'allument pour indiquer les enceintes qui sont utilisées. Les indications affichées dépendent du nombre d'enceintes raccordées (voir la colonne "Configuration des enceintes et indication des voies de lecture" dans le tableau suivant).

Le nombre de voies contenues dans le signal fourni à l'amplificateur de contrôle est également indiqué. (voir la colonne "Indication des voies d'entrée").

Bien que le tableau suivant montre presque toutes les configurations possibles avec les signaux surround multicanaux, les plus courantes sont signalées par "☆".

Format d'enregistrement (Avant/Arrière)	Indication des voies d'entrée	Configuration des enceintes et indication des voies de lecture			
		Toutes les enceintes présentes	Enceintes arrière absentes	Enceinte centrale absente	Enceintes arrière/centrale absentes
1/0	DOLBY DIGITAL [1/0]	DD DIGITAL <input checked="" type="checkbox"/> C	DD DIGITAL <input checked="" type="checkbox"/> C	DD DIGITAL <input type="checkbox"/> C <input type="checkbox"/>	DD DIGITAL <input type="checkbox"/> C <input type="checkbox"/>
	— dts [1/0]	DTS <input checked="" type="checkbox"/> C	DTS <input checked="" type="checkbox"/> C	DTS <input type="checkbox"/> C <input type="checkbox"/>	DTS <input type="checkbox"/> C <input type="checkbox"/>
	— MPEG [1/0]	MPEG <input checked="" type="checkbox"/> C	MPEG <input checked="" type="checkbox"/> C	MPEG <input type="checkbox"/> C <input type="checkbox"/>	MPEG <input type="checkbox"/> C <input type="checkbox"/>
2/0*	DOLBY DIGITAL [2/0]	<input checked="" type="checkbox"/> L <input checked="" type="checkbox"/> R	<input checked="" type="checkbox"/> L <input checked="" type="checkbox"/> R	<input checked="" type="checkbox"/> L <input checked="" type="checkbox"/> R	<input checked="" type="checkbox"/> L <input checked="" type="checkbox"/> R
	— dts [2/0]	DTS <input checked="" type="checkbox"/> L <input checked="" type="checkbox"/> R	DTS <input checked="" type="checkbox"/> L <input checked="" type="checkbox"/> R	DTS <input checked="" type="checkbox"/> L <input checked="" type="checkbox"/> R	DTS <input checked="" type="checkbox"/> L <input checked="" type="checkbox"/> R
	— MPEG [2/0]	MPEG <input checked="" type="checkbox"/> L <input checked="" type="checkbox"/> R	MPEG <input checked="" type="checkbox"/> L <input checked="" type="checkbox"/> R	MPEG <input checked="" type="checkbox"/> L <input checked="" type="checkbox"/> R	MPEG <input checked="" type="checkbox"/> L <input checked="" type="checkbox"/> R
3/0	DOLBY DIGITAL [3/0]	DD DIGITAL <input checked="" type="checkbox"/> L <input checked="" type="checkbox"/> C <input checked="" type="checkbox"/> R	DD DIGITAL <input checked="" type="checkbox"/> L <input checked="" type="checkbox"/> C <input checked="" type="checkbox"/> R	DD DIGITAL <input checked="" type="checkbox"/> L <input checked="" type="checkbox"/> C <input type="checkbox"/> R	DD DIGITAL <input checked="" type="checkbox"/> L <input checked="" type="checkbox"/> C <input type="checkbox"/> R
	— dts [3/0]	DTS <input checked="" type="checkbox"/> L <input checked="" type="checkbox"/> C <input checked="" type="checkbox"/> R	DTS <input checked="" type="checkbox"/> L <input checked="" type="checkbox"/> C <input checked="" type="checkbox"/> R	DTS <input checked="" type="checkbox"/> L <input checked="" type="checkbox"/> C <input type="checkbox"/> R	DTS <input checked="" type="checkbox"/> L <input checked="" type="checkbox"/> C <input type="checkbox"/> R
	— MPEG [3/0]	MPEG <input checked="" type="checkbox"/> L <input checked="" type="checkbox"/> C <input checked="" type="checkbox"/> R	MPEG <input checked="" type="checkbox"/> L <input checked="" type="checkbox"/> C <input checked="" type="checkbox"/> R	MPEG <input checked="" type="checkbox"/> L <input checked="" type="checkbox"/> C <input type="checkbox"/> R	MPEG <input checked="" type="checkbox"/> L <input checked="" type="checkbox"/> C <input type="checkbox"/> R
2/1	DOLBY DIGITAL [2/1]	DD DIGITAL <input checked="" type="checkbox"/> L <input checked="" type="checkbox"/> R <input checked="" type="checkbox"/> S	DD DIGITAL <input checked="" type="checkbox"/> L <input checked="" type="checkbox"/> R <input checked="" type="checkbox"/> S	DD DIGITAL <input checked="" type="checkbox"/> L <input checked="" type="checkbox"/> R <input type="checkbox"/> S	DD DIGITAL <input checked="" type="checkbox"/> L <input checked="" type="checkbox"/> R <input type="checkbox"/> S
	— dts [2/1]	DTS <input checked="" type="checkbox"/> L <input checked="" type="checkbox"/> R <input checked="" type="checkbox"/> S	DTS <input checked="" type="checkbox"/> L <input checked="" type="checkbox"/> R <input checked="" type="checkbox"/> S	DTS <input checked="" type="checkbox"/> L <input checked="" type="checkbox"/> R <input type="checkbox"/> S	DTS <input checked="" type="checkbox"/> L <input checked="" type="checkbox"/> R <input type="checkbox"/> S
	— MPEG [2/1]	MPEG <input checked="" type="checkbox"/> L <input checked="" type="checkbox"/> R <input checked="" type="checkbox"/> S	MPEG <input checked="" type="checkbox"/> L <input checked="" type="checkbox"/> R <input checked="" type="checkbox"/> S	MPEG <input checked="" type="checkbox"/> L <input checked="" type="checkbox"/> R <input type="checkbox"/> S	MPEG <input checked="" type="checkbox"/> L <input checked="" type="checkbox"/> R <input type="checkbox"/> S
3/1	DOLBY DIGITAL [3/1]	DD DIGITAL <input checked="" type="checkbox"/> L <input checked="" type="checkbox"/> C <input checked="" type="checkbox"/> R <input checked="" type="checkbox"/> S	DD DIGITAL <input checked="" type="checkbox"/> L <input checked="" type="checkbox"/> C <input checked="" type="checkbox"/> R <input checked="" type="checkbox"/> S	DD DIGITAL <input checked="" type="checkbox"/> L <input checked="" type="checkbox"/> C <input checked="" type="checkbox"/> R <input type="checkbox"/> S	DD DIGITAL <input checked="" type="checkbox"/> L <input checked="" type="checkbox"/> C <input checked="" type="checkbox"/> R <input type="checkbox"/> S
	— dts [3/1]	DTS <input checked="" type="checkbox"/> L <input checked="" type="checkbox"/> C <input checked="" type="checkbox"/> R <input checked="" type="checkbox"/> S	DTS <input checked="" type="checkbox"/> L <input checked="" type="checkbox"/> C <input checked="" type="checkbox"/> R <input checked="" type="checkbox"/> S	DTS <input checked="" type="checkbox"/> L <input checked="" type="checkbox"/> C <input checked="" type="checkbox"/> R <input type="checkbox"/> S	DTS <input checked="" type="checkbox"/> L <input checked="" type="checkbox"/> C <input checked="" type="checkbox"/> R <input type="checkbox"/> S
	— MPEG [3/1]	MPEG <input checked="" type="checkbox"/> L <input checked="" type="checkbox"/> C <input checked="" type="checkbox"/> R <input checked="" type="checkbox"/> S	MPEG <input checked="" type="checkbox"/> L <input checked="" type="checkbox"/> C <input checked="" type="checkbox"/> R <input checked="" type="checkbox"/> S	MPEG <input checked="" type="checkbox"/> L <input checked="" type="checkbox"/> C <input checked="" type="checkbox"/> R <input type="checkbox"/> S	MPEG <input checked="" type="checkbox"/> L <input checked="" type="checkbox"/> C <input checked="" type="checkbox"/> R <input type="checkbox"/> S
2/2	DOLBY DIGITAL [2/2]	DD DIGITAL <input checked="" type="checkbox"/> L <input checked="" type="checkbox"/> R <input checked="" type="checkbox"/> LS <input checked="" type="checkbox"/> RS	DD DIGITAL <input checked="" type="checkbox"/> L <input checked="" type="checkbox"/> R <input checked="" type="checkbox"/> LS <input checked="" type="checkbox"/> RS	DD DIGITAL <input checked="" type="checkbox"/> L <input checked="" type="checkbox"/> R <input checked="" type="checkbox"/> LS <input type="checkbox"/> RS	DD DIGITAL <input checked="" type="checkbox"/> L <input checked="" type="checkbox"/> R <input checked="" type="checkbox"/> LS <input type="checkbox"/> RS
	— dts [2/2]	DTS <input checked="" type="checkbox"/> L <input checked="" type="checkbox"/> R <input checked="" type="checkbox"/> LS <input checked="" type="checkbox"/> RS	DTS <input checked="" type="checkbox"/> L <input checked="" type="checkbox"/> R <input checked="" type="checkbox"/> LS <input checked="" type="checkbox"/> RS	DTS <input checked="" type="checkbox"/> L <input checked="" type="checkbox"/> R <input checked="" type="checkbox"/> LS <input type="checkbox"/> RS	DTS <input checked="" type="checkbox"/> L <input checked="" type="checkbox"/> R <input checked="" type="checkbox"/> LS <input type="checkbox"/> RS
	— MPEG [2/2]	MPEG <input checked="" type="checkbox"/> L <input checked="" type="checkbox"/> R <input checked="" type="checkbox"/> LS <input checked="" type="checkbox"/> RS	MPEG <input checked="" type="checkbox"/> L <input checked="" type="checkbox"/> R <input checked="" type="checkbox"/> LS <input checked="" type="checkbox"/> RS	MPEG <input checked="" type="checkbox"/> L <input checked="" type="checkbox"/> R <input checked="" type="checkbox"/> LS <input type="checkbox"/> RS	MPEG <input checked="" type="checkbox"/> L <input checked="" type="checkbox"/> R <input checked="" type="checkbox"/> LS <input type="checkbox"/> RS
3/2	☆ DOLBY DIGITAL [3/2]	DD DIGITAL <input checked="" type="checkbox"/> L <input checked="" type="checkbox"/> C <input checked="" type="checkbox"/> R <input checked="" type="checkbox"/> LS <input checked="" type="checkbox"/> RS	DD DIGITAL <input checked="" type="checkbox"/> L <input checked="" type="checkbox"/> C <input checked="" type="checkbox"/> R <input checked="" type="checkbox"/> LS <input checked="" type="checkbox"/> RS	DD DIGITAL <input checked="" type="checkbox"/> L <input checked="" type="checkbox"/> C <input checked="" type="checkbox"/> R <input checked="" type="checkbox"/> LS <input type="checkbox"/> RS	DD DIGITAL <input checked="" type="checkbox"/> L <input checked="" type="checkbox"/> C <input checked="" type="checkbox"/> R <input checked="" type="checkbox"/> LS <input type="checkbox"/> RS
	☆ dts [3/2]	DTS <input checked="" type="checkbox"/> L <input checked="" type="checkbox"/> C <input checked="" type="checkbox"/> R <input checked="" type="checkbox"/> LS <input checked="" type="checkbox"/> RS	DTS <input checked="" type="checkbox"/> L <input checked="" type="checkbox"/> C <input checked="" type="checkbox"/> R <input checked="" type="checkbox"/> LS <input checked="" type="checkbox"/> RS	DTS <input checked="" type="checkbox"/> L <input checked="" type="checkbox"/> C <input checked="" type="checkbox"/> R <input checked="" type="checkbox"/> LS <input type="checkbox"/> RS	DTS <input checked="" type="checkbox"/> L <input checked="" type="checkbox"/> C <input checked="" type="checkbox"/> R <input checked="" type="checkbox"/> LS <input type="checkbox"/> RS
	☆ MPEG [3/2]	MPEG <input checked="" type="checkbox"/> L <input checked="" type="checkbox"/> C <input checked="" type="checkbox"/> R <input checked="" type="checkbox"/> LS <input checked="" type="checkbox"/> RS	MPEG <input checked="" type="checkbox"/> L <input checked="" type="checkbox"/> C <input checked="" type="checkbox"/> R <input checked="" type="checkbox"/> LS <input checked="" type="checkbox"/> RS	MPEG <input checked="" type="checkbox"/> L <input checked="" type="checkbox"/> C <input checked="" type="checkbox"/> R <input checked="" type="checkbox"/> LS <input type="checkbox"/> RS	MPEG <input checked="" type="checkbox"/> L <input checked="" type="checkbox"/> C <input checked="" type="checkbox"/> R <input checked="" type="checkbox"/> LS <input type="checkbox"/> RS
2/0**	☆ DOLBY DIGITAL [2/0]	PRO LOGIC <input checked="" type="checkbox"/> L <input checked="" type="checkbox"/> C <input checked="" type="checkbox"/> R <input checked="" type="checkbox"/> S	PRO LOGIC <input checked="" type="checkbox"/> L <input checked="" type="checkbox"/> C <input checked="" type="checkbox"/> R <input checked="" type="checkbox"/> S	PRO LOGIC <input checked="" type="checkbox"/> L <input checked="" type="checkbox"/> C <input checked="" type="checkbox"/> R <input type="checkbox"/> S	PRO LOGIC <input checked="" type="checkbox"/> L <input checked="" type="checkbox"/> C <input checked="" type="checkbox"/> R <input type="checkbox"/> S
	☆ dts [2/0]	DTS <input checked="" type="checkbox"/> L <input checked="" type="checkbox"/> C <input checked="" type="checkbox"/> R <input checked="" type="checkbox"/> S	DTS <input checked="" type="checkbox"/> L <input checked="" type="checkbox"/> C <input checked="" type="checkbox"/> R <input checked="" type="checkbox"/> S	DTS <input checked="" type="checkbox"/> L <input checked="" type="checkbox"/> C <input checked="" type="checkbox"/> R <input type="checkbox"/> S	DTS <input checked="" type="checkbox"/> L <input checked="" type="checkbox"/> C <input checked="" type="checkbox"/> R <input type="checkbox"/> S
	☆ MPEG [2/0]	MPEG <input checked="" type="checkbox"/> L <input checked="" type="checkbox"/> C <input checked="" type="checkbox"/> R <input checked="" type="checkbox"/> S	MPEG <input checked="" type="checkbox"/> L <input checked="" type="checkbox"/> C <input checked="" type="checkbox"/> R <input checked="" type="checkbox"/> S	MPEG <input checked="" type="checkbox"/> L <input checked="" type="checkbox"/> C <input checked="" type="checkbox"/> R <input type="checkbox"/> S	MPEG <input checked="" type="checkbox"/> L <input checked="" type="checkbox"/> C <input checked="" type="checkbox"/> R <input type="checkbox"/> S
	☆ DOLBY PRO LOGIC	PRO LOGIC <input checked="" type="checkbox"/> L <input checked="" type="checkbox"/> C <input checked="" type="checkbox"/> R <input checked="" type="checkbox"/> S	PRO LOGIC <input checked="" type="checkbox"/> L <input checked="" type="checkbox"/> C <input checked="" type="checkbox"/> R <input checked="" type="checkbox"/> S	PRO LOGIC <input checked="" type="checkbox"/> L <input checked="" type="checkbox"/> C <input checked="" type="checkbox"/> R <input type="checkbox"/> S	PRO LOGIC <input checked="" type="checkbox"/> L <input checked="" type="checkbox"/> C <input checked="" type="checkbox"/> R <input type="checkbox"/> S
	☆ LINEAR PCM**	<input checked="" type="checkbox"/> L <input checked="" type="checkbox"/> R	<input checked="" type="checkbox"/> L <input checked="" type="checkbox"/> R	<input checked="" type="checkbox"/> L <input checked="" type="checkbox"/> R	<input checked="" type="checkbox"/> L <input checked="" type="checkbox"/> R
	☆ ANALOG STEREO	<input checked="" type="checkbox"/> L <input checked="" type="checkbox"/> R	<input checked="" type="checkbox"/> L <input checked="" type="checkbox"/> R	<input checked="" type="checkbox"/> L <input checked="" type="checkbox"/> R	<input checked="" type="checkbox"/> L <input checked="" type="checkbox"/> R

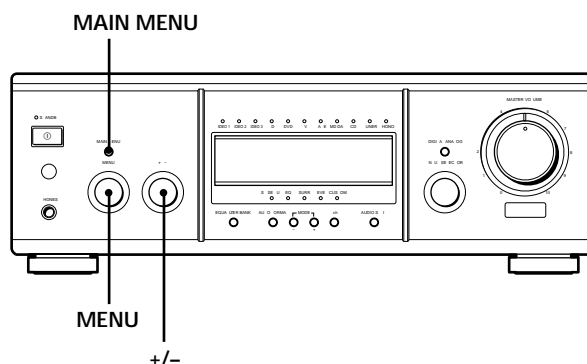
* Sans Pro Logic

**Quand Pro Logic est en service ou un champ sonore "CINEMA" ou "VIRTUAL" est sélectionné.

Réglages

Ce chapitre décrit la façon d'utiliser les opérations du menu pour changer des réglages variés, ajuster les champs sonores, et personnaliser divers aspects de la fonctionnalité de l'amplificateur de contrôle.

Utilisation des menus



Utilisez les opérations de menu pour ajuster divers paramètres et personnaliser l'amplificateur de contrôle pour répondre à vos souhaits et à vos préférences personnelle.

- 1** Appuyez à plusieurs reprises sur MAIN MENU pour afficher le menu souhaité.
Consultez le "Tableau des fonctions du menu" à partir de la page suivante pour un schéma indiquant les menus et leurs paramètres respectifs.
- 2** Tournez MENU pour sélectionner le paramètre souhaité du menu sélectionné.
- 3** Tournez +/- pour sélectionner le réglage souhaité. Le nouveau réglage est validé et enregistré automatiquement.
- 4** Répétez les opérations 1 à 3 pour régler les paramètres nécessaires.

Remarques

- Certains paramètres peuvent ne pas être réglables en raison du réglage d'autres paramètres (etc.). Les paramètres qui ne sont pas disponibles apparaissent ombrés quand ils sont affichés.
- Un EQUALIZER BANK (1~5) doit être choisi avant que le menu EQUALIZER puisse être réglé.

Tableau des fonctions du menu

Menus (Appuyez sur MAIN MENU)	Paramètres (Tournez Menu)	Distance de fonctionnement (Tournez + ou -)	Description
<SP SETUP>	FRONT SP [LARGE]	LARGE, SMALL	Pages 18~19
	CENTER SP [LARGE]	LARGE, SMALL, NO	
	REAR SP [LARGE]	LARGE, SMALL, NO	
	SUB WOOFER [YES]	YES, NO	
	FRONT 5.0 meter	De 1,0 à 12,0 m (par paliers de 0,1 m)	Pages 19~20
	CENTER 5.0 meter	De 1,0 à 12,0 m (par paliers de 0,1 m)	
	REAR 3.5 meter	De 1,0 à 12,0 m (par paliers de 0,1 m)	
	S.W 5.0 meter	De 1,0 à 12,0 m (par paliers de 0,1 m)	
	S.W PHASE [NORMAL]	NORMAL, REVERSE	
	REAR POSI. [BEHIND]	SIDE, MIDDLE, BEHIND	Pages 20~21
	REAR HIGHT [LOW]	HIGH, LOW	
	FRONT SP > 120 Hz	De 40 Hz à 200 kHz (10 Hz paliers)	Pages 21~22
	CENTER SP > 120 Hz	De 40 Hz à 200 kHz (10 Hz paliers)	
	REAR SP > 120 Hz	De 40 Hz à 200 kHz (10 Hz paliers)	
DIST. UNIT	Mètres, pieds	Page 22	
<EQUALIZER>	FRONT BASS 0 dB	De -10,0 à +10,0 dB (par paliers de 0,5 dB)	Pages 32~33
	FRONT BASS 250 Hz	De 99 Hz à 1 kHz (en 21 paliers)	
	FRONT MID 0 dB	De -10,0 à +10,0 dB (par paliers de 0,5 dB)	
	FRONT MID ??? kHz	De 198 Hz à 10 kHz (en 37 paliers)	
	FRONT MID [WIDE]	WIDE, MIDDLE, NARROW	
	FRONT TREBLE 0 dB	De -10,0 à +10,0 dB (par paliers de 0,5 dB)	
	FRONT TREBLE 2.5 kHz	De 1,0 à 10 kHz (en 23 paliers)	
	CENTER BASS 0 dB	De -10,0 à +10,0 dB (par paliers de 0,5 dB)	
	CENTER BASS 250 Hz	De 99 Hz à 1 kHz (en 21 paliers)	
	CENTER MID 0 dB	De -10,0 à +10,0 dB (par paliers de 0,5 dB)	
	CENTER MID ??? kHz	De 198 Hz à 10 kHz (en 37 paliers)	
	CENTER MID [WIDE]	WIDE, MIDDLE, NARROW	
	CENTER TREBLE 0 dB	De -10,0 à +10,0 dB (par paliers de 0,5 dB)	
	CENTER TREBLE 2.5 kHz	De 1,0 à 10 kHz (en 37 paliers)	
	REAR BASS 0 dB	De -10,0 à +10,0 dB (par paliers de 0,5 dB)	
	REAR BASS 250 Hz	De 99 Hz à 1 kHz (en 21 paliers)	
	REAR MID 0 dB	De -10,0 à +10,0 dB (par paliers de 0,5 dB)	
	REAR MID ??? kHz	De 198 Hz à 10 kHz (en 37 paliers)	
	REAR MID [WIDE]	WIDE, MIDDLE, NARROW	
	REAR TREBLE 0 dB	De -10,0 à +10,0 dB (par paliers de 0,5 dB)	
	REAR TREBLE 2.5 kHz	De 1,0 à 8,6 kHz (en 23 paliers)	
	PRESET (1~5) clear [YES]	NO, YES	

Menus (Appuyez sur MAIN MENU)	Paramètres (Tournez Menu)	Distance de fonctionnement (Tournez + ou--)	Description
<SURROUND>	SURR. EFFECT 100%	De 0 à 150% (par paliers de 5%)	Page 34
	WALL S ___ ___ H	17 paliers	
	REVERB S ___ ___ L	17 paliers	
	BASS +0 dB -----	De -10,0 à +10,0 dB (par paliers de 1 dB)	Page 34
	BASS ??? Hz -----	De 99 Hz à 1 kHz (en 21 paliers)	
	MID +0 dB -----	De -10,0 à +10,0 dB (par paliers de 1,0 dB)	
	MID [WIDE] -----	WIDE, MIDDLE, NARROW	
	MID ??? Hz -----	De 198 Hz à 10 kHz (en 37 paliers)	
	TREBLE +0 dB -----	De -10,0 à +10,0 dB (par paliers de 1,0 dB)	
TREBLE ??? Hz -----	De 1,0 à 10 kHz (en 23 paliers)		
<LEVEL>	TEST TONE [LS] auto	OFF, AUTO, L, C, R, RS, LS, SW	Pages 35~36
	FRONT L ___ ___ R	17 paliers (par paliers de 0,5 dB)	
	REAR L ___ ___ R	17 paliers (par paliers de 0,5 dB)	
	CENTER LEVEL - 0 dB	De +10,0 à -20,0 dB, OFF (par paliers de 0,5 dB)	
	REAR LEVEL - 0 dB	De +10,0 à -20,0 dB, OFF (par paliers de 0,5 dB)	
	SUB WOOFER - 0 dB	De +10,0 à -20,0 dB, OFF (par paliers de 0,5 dB)	
	LFE MIX - 0 dB	De +0,0 à -20,0 dB, OFF (par paliers de 0,5 dB)	
	D. RANGE COMP STD	OFF, 0.1 - - 0.9, STD, MAX	
	DIALOG TRIM +0.0 dB	De +5,0 à -5,0 dB (par paliers de 0,5 dB)	
	SURR TRIM +0.0 dB	De +5,0 à -5,0 dB (par paliers de 0,5 dB)	
	MUTING [OFF]	OFF, ON	
	VOLUME -000 dB	0 - - -100 dB, -∞ dB (par paliers de 0,5 dB min.)	
	<CUSTOMIZE>	V. PROCESSOR [OFF]	OFF, ON
V: (source vidéo) A: (source audio)			
AU INPUT [ANALOG]		AUTO, OPTICAL, COAXIAL, AC-3 RF, ANALOG	
DECODE MODE [AC-3]		AUTO, AC-3, DTS, MPEG	
DISP. DIMMER [100%]		100 - - - 25% (par paliers de 1%)	
OUTPUT LEVEL [NORM]		NORM, LOW	
AUTO FUNCTION [ON]		ON, OFF	
MEMORY CLEAR [YES]		NO, YES	Page 38
SLEEP 0:00:00		2:00:00, 1:30:00, 1:00:00, 0:30:00, OFF	Page 38

Réglage des paramètres d'enceinte <SP SETUP>

Voir “ Configuration du surround multicanaux” à la page 18 pour les détails sur les paramètres disponibles dans le menu SP SETUP.

■ Taille des enceintes avant (FRONT SP)

Réglage initial : LARGE

■ Taille de l'enceinte centrale (CENTER SP)

Réglage initial : LARGE

■ Taille des enceintes arrière (REAR SP)

Réglage initial : LARGE

■ Sélection du caisson de grave (SUB WOOFER)

Réglage initial : YES

■ Distance des enceintes avant (FRONT)

Réglage initial : 5,0 mètres

■ Distance de l'enceinte centrale (CENTER)

Réglage initial : 5,0 mètres

■ Distance des enceintes arrière (REAR)

Réglage initial : 3,5 mètres

■ Distance du caisson de grave (S.W)

Réglage initial : 5,0 mètres

■ Polarité de la phase du caisson de grave (S.W PHASE)

Réglage initial : NORMAL

■ Position des enceintes arrière (REAR POSI.)

Réglage initial : BEHIND

■ Hauteur des enceintes arrière (REAR HIGHT)

Réglage initial : LOW

■ Fréquence de coupure des enceintes avant (FRONT)

Réglage initial : > 120 Hz

■ Fréquence de coupure de l'enceinte centrale (CENTER)

Réglage initial : > 120 Hz

■ Fréquence de coupure des enceintes arrière (REAR)

Réglage initial : > 120 Hz

■ Unité de distance (DIST. UNIT)

Réglage initial : METER

Réglage de l'égalisation <EQUALIZER>

Le menu EQUALIZER vous permet d'ajuster séparément la courbe d'égalisation (grave/médium/aigu) des enceintes avant, centrale et arrière. La banque de mémoire de l'égaliseur vous permet de stocker jusqu'à 5 réglages d'égaliseur différents.

Le menu suivant est disponible seulement quand vous avez appuyé sur EQUALIZER BANK pour sélectionner un des égaliseurs (EQ PRESET 1~5).

■ Réglage des graves des enceintes avant (niveau/fréquence)

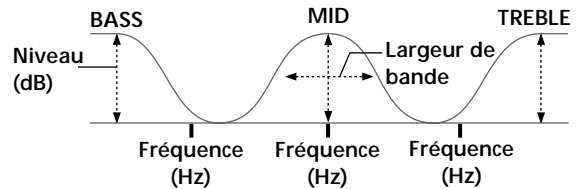
FRONT BASS +XX.XdB

FRONT BASS XXXHz

① Tournez MENU pour sélectionner le niveau (dB) ou la fréquence (Hz).

② Tournez +/- pour faire le réglage.

Répétez ces opérations jusqu'à ce que vous obteniez le son souhaité.



- Le niveau peut être ajusté de ± 10 dB par paliers de 0,5 dB.
- La fréquence peut être ajustée de 99 Hz à 1 kHz en 21 paliers.

■ Réglage des médiums des enceintes avant (niveau/fréquence)

FRONT MID +XX.XdB

FRONT MID XXXHz

Faites le réglage indiqué dans “Réglage des graves des enceintes avant”.

- Le niveau peut être ajusté de ± 10 dB par paliers de 0,5 dB.
- La fréquence peut être ajustée de 198 Hz à 10 kHz en 37 paliers.

■ Largeur de bande des médiums des enceintes avant

FRONT MID [WIDE]

Ce paramètre vous permet d'ajuster la largeur de la bande des médiums.

- “WIDE” offre une large bande centrée sur la fréquence sélectionnée, pour des réglages généraux.
- “MIDDLE” offre une bande normale.
- “NARROW” offre une bande étroite centrée sur la fréquence sélectionnée, pour des réglages spécifiques.

■ Réglage des aigus des enceintes avant (niveau/fréquence)

FRONT TREBL +XX.XdB

FRONT TREBL XXXHz

Faites le réglage indiqué dans "Réglage des graves des enceintes avant".

- Le niveau peut être ajusté de ± 10 dB par paliers de 0,5 dB.
- La fréquence peut être ajustée de 1,0 kHz à 10 kHz en 23 paliers.

■ Réglage des graves de l'enceinte centrale (niveau/fréquence)

CENTER BASS +XX.XdB

CENTER BASS XXXHz

Faites le réglage indiqué dans "Réglage des graves des enceintes avant".

- Le niveau peut être ajusté de ± 10 dB par paliers de 0,5 dB.
- La fréquence peut être ajustée de 99 Hz à 1 kHz en 21 paliers.

■ Réglage des médiums de l'enceinte centrale (niveau/fréquence)

CENTER MID +XX.XdB

CENTER MID XXXHz

Faites le réglage indiqué dans "Réglage des graves des enceintes avant".

- Le niveau peut être ajusté de ± 10 dB par paliers de 0,5 dB.
- La fréquence peut être ajustée de 198 Hz à 10 kHz en 37 paliers.

■ Largeur de bande des médiums de l'enceinte centrale

CENTER MID [WIDE]

Ce paramètre vous permet d'ajuster la largeur de la bande des médiums.

- "WIDE" offre une large bande centrée sur la fréquence sélectionnée, pour des réglages généraux.
- "MIDDLE" offre une bande normale.
- "NARROW" offre une bande étroite centrée sur la fréquence sélectionnée, pour des réglages spécifiques.

■ Réglage des aigus de l'enceinte centrale (niveau/fréquence)

CENTER TRE. +XX.XdB

CENTER TRE. XXXHz

Faites le réglage indiqué dans "Réglage des graves des enceintes avant".

- Le niveau peut être ajusté de ± 10 dB par paliers de 0,5 dB.
- La fréquence peut être ajustée de 1,0 kHz à 10 kHz en 23 paliers.

■ Réglage des graves des enceintes arrière (niveau/fréquence)

REAR BASS +XX.XdB

REAR BASS XXXHz

Faites le réglage indiqué dans "Réglage des graves des enceintes avant".

- Le niveau peut être ajusté de ± 10 dB par paliers de 0,5 dB.
- La fréquence peut être ajustée de 99 Hz à 1 kHz en 21 paliers.

■ Réglage des médiums des enceintes arrière (niveau/fréquence)

REAR MID +XX.XdB

REAR MID XXXHz

Faites le réglage indiqué dans "Réglage des graves des enceintes avant".

- Le niveau peut être ajusté de ± 10 dB par paliers de 0,5 dB.
- La fréquence peut être ajustée de 198 Hz à 10 kHz en 37 paliers.

■ Largeur de bande des médiums des enceintes arrière

REAR MID [WIDE]

Ce paramètre vous permet d'ajuster la largeur de la bande des médiums.

- "WIDE" offre une large bande centrée sur la fréquence sélectionnée, pour des réglages généraux.
- "MIDDLE" offre une bande normale.
- "NARROW" offre une bande étroite centrée sur la fréquence sélectionnée, pour des réglages spécifiques.

■ Réglage des aigus des enceintes arrière (niveau/fréquence)

REAR TREBLE +XX.XdB

REAR TREBLE XXXHz

Faites le réglage indiqué dans "Réglage des graves des enceintes avant".

- Le niveau peut être ajusté de ± 10 dB par paliers de 1 dB.
- La fréquence peut être ajustée de 1,0 kHz à 10 kHz en 23 paliers.

■ Suppression des préréglages (PRESET x clear)

PRESET 1 clear [YES]

Réglage initial : NO

Pour supprimer le préréglage de l'égaliseur actuellement sélectionné, sélectionnez [YES] et attendez quelques secondes. "Are you sure?" (Êtes-vous sûr?) est affiché. Si vous sélectionnez de nouveau [YES] et attendez quelques secondes, l'appareil supprimera les réglages de l'égaliseur sélectionné et les valeurs préréglées en usine seront restaurées. "PRESET x CLEARED !" est affiché comme confirmation. ("x" est le numéro de l'égaliseur préréglé actuel.)

Personnalisation des champs sonores <SURROUND>

Le menu SURROUND contient des paramètres qui vous permettent de personnaliser différents aspects du champ sonore actuel. Les réglages disponibles dans ce menu sont stockés individuellement pour chaque champ sonore.

■ Niveau de l'effet

SURR.EFFECT XXX%

Réglage initial : (dépend du mode sonore)
Ce paramètre sert à ajuster la "présence" de l'effet surround du son cinématographique numérique actuel.

■ Type de paroi

WALL S | H

Réglage initial : point central
Quand le son se réfléchit sur un matériau doux, comme des rideaux, les éléments des hautes fréquences sont réduits. Une paroi dure réfléchit énormément le son et n'influence guère la réponse en fréquence du son réfléchi. Ce paramètre vous permet de contrôler le niveau des hautes fréquences pour modifier le caractère acoustique de votre environnement en simulant une paroi douce (S) ou dure (H). Le point central désigne une paroi neutre, par exemple de bois.

■ Réverbération

REVERB S | L

Réglage initial : point central
Avant que le son n'atteigne les oreilles de l'auditeur, il est réfléchi (réverbéré) plusieurs fois entre les murs gauche et droit, le plafond et le sol. Dans une grande pièce, le son met plus de temps à rebondir d'une surface à l'autre que dans une petite pièce. Ce paramètre vous permet de contrôler l'espacement des premières réflexions pour simuler acoustiquement une grande pièce (L) ou une petite pièce (S). Le point intermédiaire (0) désigne une pièce standard sans corrections.

■ Réglage des graves (niveau/fréquence)

BASS +XX.XdB

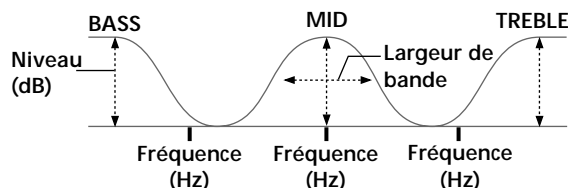
BASS XXXHz

Contrairement à l'égaliseur du menu EQUALIZER (qui vous permet d'ajuster individuellement la qualité sonore d'ensemble de chaque paire d'enceintes) ces paramètres vous permettent d'ajuster individuellement la qualité tonale de chaque champ sonore.

① Tournez MENU pour sélectionner le niveau (dB) ou la fréquence (Hz).

② Tournez +/- pour faire le réglage.

Répétez ces opérations jusqu'à ce que vous obteniez le son souhaité.



- Le niveau peut être ajusté de ± 10 dB par paliers de 1 dB.
- La fréquence peut être ajustée de 198 Hz à 10 kHz en 37 paliers.

■ Réglage des médiums (niveau/fréquence)

MID +XX.XdB

MID XXXHz

Faites le réglage indiqué dans "Réglage des graves".

- Le niveau peut être ajusté de ± 10 dB par paliers de 1 dB.
- La fréquence peut être ajustée de 198 Hz à 10 kHz en 37 paliers.

■ Largeur de la bande des médiums

MID [NARROW]

Ce paramètre vous permet d'ajuster la largeur de la bande des médiums.

- "WIDE" offre une large bande centrée sur la fréquence sélectionnée, pour des réglages généraux.
- "MIDDLE" offre une bande normale.
- "NARROW" offre une bande étroite centrée sur la fréquence sélectionnée, pour des réglages spécifiques.

■ Réglage des aigus (niveau/fréquence)

TREBLE +XX.XdB

TREBLE XXXHz

Faites le réglage indiqué dans "Réglage des graves".

- Le niveau peut être ajusté de ± 10 dB par paliers de 1 dB.
- La fréquence peut être ajustée de 1,0 kHz à 10 kHz en 23 paliers.

Réglage du niveau des enceintes <LEVEL>

Le menu LEVEL contient des paramètres qui vous permettent de modifier le niveau de sortie de chaque enceinte et effectuer une série d'autres réglages variés pour contrôler le mixage du son. Les réglages disponibles dans ce menu affectent tous les champs sonores.

🔊 La plupart de ces paramètres peuvent aussi être ajustés directement à l'aide de la télécommande. Voir "Réglage du volume des enceintes" (page 22).

■ Signal de test

TEST TONE [LS] auto

Réglage initial : automatique

Ce paramètre vous permet d'activer ou désactiver le signal de test.

- Avec AUTO, le signal de test est fourni automatiquement par chaque enceinte dans l'ordre.
- Avec L (avant gauche), C (centrale), R (avant droite), RS (surround droite), LS (surround gauche) ou SW (caisson de grave), le signal est fourni seulement par l'enceinte correspondante.
- Le signal de test peut aussi être fourni si vous utilisez la télécommande fournie. Voir "Réglage du volume des enceintes" (page 22).

■ Balance avant

FRONT L | R

Réglage initial: centre

Ce paramètre vous permet d'ajuster la balance entre les enceintes avant gauche et droite.

- Ce réglage peut aussi être ajusté directement avec la télécommande. Voir "Réglage du volume des enceintes" (page 22).

■ Balance arrière

REAR L | R

Réglage initial: centre

Permet de régler la balance entre les enceintes arrière gauche et droite.

- Ce réglage peut aussi être ajusté directement avec la télécommande. Voir "Réglage du volume des enceintes" (page 22).

■ Niveau central

CENT.LEVEL -XX.XdB

Réglage initial: 0 dB

Permet d'ajuster le niveau de l'enceinte centrale.

- Le niveau peut être ajusté par paliers de 1 dB de -20 dB à +10 dB.
- Ce réglage peut aussi être ajusté directement avec la télécommande. Voir "Réglage du volume des enceintes" (page 22).

■ Niveau arrière

REAR LEVEL -XX.XdB

Réglage initial: 0 dB

Permet de régler le niveau des enceintes arrière (gauche et droite).

- Le niveau peut être ajusté par paliers de 1 dB de -20 dB à +10 dB.
- Ce réglage peut aussi être ajusté directement avec la télécommande. Voir "Réglage du volume des enceintes" (page 22).

■ Niveau du caisson de grave

SUB WOOFER -XX.XdB

Réglage initial: 0 dB

Permet d'ajuster le niveau du caisson de grave.

- Le niveau peut être ajusté par paliers de 1 dB de -20 dB à +10 dB.

■ Niveau de mixage LFE

LFE MIX -XX.XdB

Réglage initial : 0 dB

Ce paramètre vous permet d'atténuer le niveau de la voie LFE (effet basse fréquence) fournie au caisson de grave sans affecter le niveau des basses fréquences transmises au caisson par les voies avant, centrale ou arrière à travers le circuit de réaiguillage du grave Dolby Digital (AC-3).

- Le niveau peut être ajusté par paliers de 1 dB de -20 dB à 0 dB (niveau linéaire). 0 dB fournit le signal LFE complet au niveau de mixage voulu par l'ingénieur du son.
- La sélection de OFF coupe le son de la voie LFE sur le caisson de grave. Cependant, les sons de basses fréquences des enceintes avant, centrale ou arrière sont fournis par le caisson de grave en fonction des réglages effectués pour chaque enceinte lors de la configuration des enceintes (page 18).

Réglage du niveau des enceintes <LEVEL>

■ Compression de la plage dynamique

D. RANGE COMP STD

Réglage initial : OFF (désactivé)

Permet de comprimer la plage dynamique de la piste sonore, ce qui peut être utile pour regarder des films à bas volume la nuit.

- OFF reproduit la piste sonore sans compression.
- STD reproduit la piste sonore avec la plage dynamique voulue par l'ingénieur du son.
- 0.1~0.9 permet de comprimer la plage dynamique par petits paliers pour obtenir le son souhaité.
- MAX fournit une compression considérable de la plage dynamique.

Remarque

La compression de la plage dynamique n'est pas possible avec les sources DTS ou MPEG.

Au sujet de la compression de la plage dynamique

Ce paramètre permet de comprimer la plage dynamique d'une piste sonore en fonction des informations de plage dynamique contenues dans le signal Dolby Digital. "STD" est la compression ordinaire, mais comme de nombreuses sources n'ont qu'une légère compression, vous ne noterez peut-être pas beaucoup la différence avec les réglages 0.1~0.9.

Nous conseillons donc l'utilisation du réglage "MAX". Il comprime considérablement la plage dynamique et vous permet de voir des films la nuit à bas volume. Contrairement aux limiteurs analogiques, les niveaux sont fixés et garantissent une compression très naturelle.

■ Réglage du recadrage numérique des dialogues

DIALOG TRIM +X.XdB

Réglage initial : 0 dB

Ce paramètre vous permet d'ajuster la sortie de l'enceinte centrale.

Augmentez la valeur de ce paramètre si vous avez du mal à entendre le dialogue. Si vous n'avez pas installé d'enceinte centrale, ce paramètre vous permettra d'ajuster le niveau de la voie centrale alors qu'elle est mélangée avec le son des enceintes avant.

■ Réglage du recadrage numérique surround

SURR TRIM +X.XdB

Réglage initial : 0 dB

Ce paramètre vous permet d'ajuster la sortie des enceintes arrière.

Augmentez la valeur de ce paramètre si vous pensez que les effets surround sont trop subtils. Si vous n'avez pas installé d'enceintes arrière, ce paramètre vous permettra d'ajuster le niveau des voies arrière alors qu'elles sont mélangées avec le son des enceintes avant.

■ Coupure du son

MUTING [OFF]

Réglage initial : OFF

Ce paramètre vous permet de couper le son (comme MUTING de la télécommande).

- ON pour couper le son de toutes les enceintes.
- OFF pour restaurer le volume original du son.

■ Volume

VOLUME -50.0dB

Réglage initial : 0 dB

Ce paramètre vous permet d'ajuster le volume principal. (Comme la commande MASTER VOLUME du panneau avant.)

Paramètres réglables pour chaque champ sonore

Menu		<SURROUND>			<LEVEL>					
Champ sonore	MODE	EFFECT LEVEL	WALL TYPE	REVERB TIME	LFE MIX	D.RANGE COMP	REAR BAL.	REAR LEVEL	CENTER LEVEL	WOOFER LEVEL
Désactivé	2ch				●	●				
	NORMAL SURROUND				●	●	●	●	●	●
	CINEMA STUDIO A	●			●	●	●	●	●	●
	CINEMA STUDIO B	●			●	●	●	●	●	●
	CINEMA STUDIO C	●			●	●	●	●	●	●
	NIGHT THEATER	●	●	●	●	●	●	●	●	●
	MONO MOVIE	●	●	●	●	●	●	●	●	●
	STEREO MOVIE	●	●	●	●	●	●	●	●	●
	V. MULTI REAR				●	●	●	●	●	●
	V. MULTI DIMENSION				●	●	●	●	●	●
	V. THEATER A	●			●	●	●	●	●	●
	V. THEATER B	●			●	●	●	●	●	●
	V. THEATER C	●			●	●	●	●	●	●
	V. ENHANCED A				●	●			●	●
	V. ENHANCED B				●	●			●	●
	V. SEMI-M.DIMENSION				●	●			●	●
	V. SEMI-THEATER A	●			●	●			●	●
	V. SEMI-THEATER B	●			●	●			●	●
	V. SEMI-THEATER C	●			●	●			●	●
	SMALL HALL	●	●	●	●	●	●	●	●	●
	LARGE HALL	●	●	●	●	●	●	●	●	●
	OPERA HOUSE	●	●	●	●	●	●	●	●	●
	JAZZ CLUB	●	●	●	●	●	●	●	●	●
	DISCO/CLUB	●	●	●	●	●	●	●	●	●
	CHURCH	●	●	●	●	●	●	●	●	●
	LIVE HOUSE	●	●	●	●	●	●	●	●	●
	ARENA	●	●	●	●	●	●	●	●	●
	STADIUM	●	●	●	●	●	●	●	●	●
	GAME	●	●	●	●	●	●	●	●	●
	AUTO FORMAT DECODE				●	●	●	●	●	●

Autres réglages <CUSTOMIZE>

Le menu CUSTOMIZE vous permet de personnaliser des aspects variés du fonctionnement de l'amplificateur de contrôle.

■ Mode de traitement vidéo

DVD: PROCESSOR [OFF]

Réglage initial : OFF

Ce paramètre vous permet de diriger les signaux vidéo vers un processeur vidéo raccordé aux prises PROCESSOR du panneau arrière.

- ON : Dirige les signaux vers les prises PROCESSOR.
- OFF : Réglez sur cette position quand vous n'utilisez pas le processeur vidéo, ou si ne raccordez pas de processeur vidéo.

■ Séparation du signal audio (AU SPLIT)

V:VIDEO3 A:CD

Utilisez ce paramètre pour changer de source audio. (Comme la touche AUDIO SPLIT du panneau avant.) Voir "[4] Touche AUDIO SPLIT" à la page 13 pour les détails.

■ Mode d'entrée audio (AU INPUT)

DVD: AUDIO [AUTO]

Réglage initial : AUTO

Ce paramètre vous permet de changer l'entrée pour l'appareil actuel. (Comme la touche DIGITAL/ANALOG du panneau avant.) Voir "[5] Touche DIGITAL/ANALOG" à la page 13 pour les détails.

■ Mode d'entrée numérique

DVD: DECODE [AUTO]

Réglage initial : AUTO

Ce paramètre vous permet de spécifier le type de signal reçu actuellement par la prise audio numérique sélectionnée. Les réglages sont enregistrés indépendamment pour chaque prise.

- AUTO : L'appareil commute automatiquement entre MPEG, DTS, Dolby Digital (AC-3) et PCM.
- AC-3 : Tous les signaux d'entrée sont traités comme signaux Dolby Digital (AC-3). Si un signal MPEG, DTS, ou PCM est fourni à une prise réglée pour AC-3, aucun son ne sera audible.
- DTS : Tous les signaux d'entrée sont traités comme signaux DTS. Si un signal Dolby Digital (AC-3), MPEG, ou PCM est fourni à une prise réglée pour DTS, aucun son ne sera audible.
- MPEG : Tous les signaux d'entrée sont traités comme signaux MPEG. Si un signal Dolby Digital (AC-3), DTS, ou PCM est fourni à une prise réglée pour MPEG, aucun son ne sera audible.
- PCM : Tous les signaux sont traités comme signaux PCM. Si un signal Dolby Digital (AC-3), DTS ou MPEG est fourni à une prise réglée sur PCM, aucun son ne sera audible. Si une prise est réglée sur "AUTO" et le son du lecteur CD ou d'un autre appareil raccordé à cette prise est interrompu ou parasité lorsque la lecture commence, sélectionnez "PCM" pour cette prise.

■ Contrôle de luminosité de l'afficheur

DISP. DIMMER XXX%

Réglage initial : 100%

Ce paramètre vous permet de régler la luminosité de l'afficheur. Vous pouvez choisir entre 25 et 100% par paliers de 1%.

■ Niveau de sortie

OUTPUT LEVEL [NORM]

Réglage initial : NORMAL

Ce paramètre vous permet de régler le niveau de sortie.

- NORMAL : Niveau de sortie de préamplification standard (1 V)
- LOW : Abaisse le niveau de sortie à 250 mV (vous permettant de raccorder les sorties de cet appareil à un autre préamplificateur.

■ Fonction automatique CONTROL A1

AUTO FUNCTION [ON]

Réglage initial : ON

Quand un appareil raccordé par l'intermédiaire d'un câble CONTROL A1 doit être utilisé, cet appareil est mis sous tension et le sélecteur de fonction est réglé automatiquement pour cet appareil.

Si vous ne voulez pas que les appareils raccordés soient pilotés avec cette fonction, sélectionnez [OFF].

■ Mode de fonctionnement de la télécommande

REMOTE [2WAY ONLY]

Réglage initial : 2WAY ONLY

Permet de sélectionner le mode de fonctionnement de la télécommande.

- 2WAY ONLY : Si vous sélectionnez ce mode, vous pourrez faire fonctionner l'amplificateur avec la télécommande bidirectionnelle fournie seulement.
- 2WAY + 2WAY : Si vous sélectionnez ce mode, vous pourrez faire fonctionner l'amplificateur par une télécommande unidirectionnelle⁽¹⁾ en plus de la télécommande fournie. Il est conseillé d'utiliser une télécommande Sony RM-PP402⁽²⁾⁽³⁾ comme télécommande unidirectionnelle.

⁽¹⁾ Vous pouvez programmer les codes de télécommande de la télécommande unidirectionnelle sur une télécommande programmable du commerce.

⁽²⁾ La RM-PP402 n'est pas disponible en magasin. Contactez un revendeur agréé Sony ou un service après-vente Sony.

⁽³⁾ Vous pouvez utiliser la touche 5.1CH au lieu de la touche LD lorsque vous utilisez la RM-PP402 en cas d'utilisation de cet amplificateur.

■ Effacement de la mémoire

MEMORY CLEAR [YES]

Réglage initial : NO

Pour effacer la mémoire, sélectionnez [YES] et attendez quelques secondes. "Are you sure? (Etes-vous sûr?)" est affiché. Sélectionnez [YES] de nouveau. L'appareil s'éteindra automatiquement, puis se remettra sous tension. La mémoire sera annulée.

■ Temporisateur

SLEEP X:XX:XX

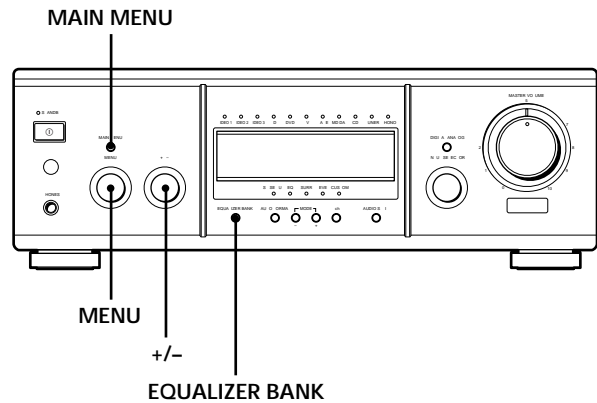
Réglage initial : OFF

Ce paramètre vous permet de régler l'amplificateur de contrôle de telle façon qu'il s'éteigne automatiquement après un certain temps. Sélectionnez simplement le temps pendant lequel vous souhaitez attendre la mise hors tension de l'appareil. Le compte à rebours se déclenche automatiquement.

Pour mettre cette fonction hors service, sélectionnez [OFF] avant la fin du compte à rebours.

Autres opérations

Ce chapitre décrit les opérations nécessaires pour enregistrer vos réglages personnalisés d'égalisation et d'effets surround pour un rappel immédiat.



Brève description des touches utilisées pour créer des courbes d'égalisation personnalisées

Touche EQUALIZER BANK : Appuyez sur cette touche à plusieurs reprises pour sélectionner l'égaliseur dont vous souhaitez ajuster la courbe.

Touche MAIN MENU : Appuyez sur cette touche à plusieurs reprises pour sélectionner le menu souhaité. (<SURROUND> ou <EQUALIZER>)

Bouton MENU : Tournez ce bouton pour sélectionner un paramètre du menu actuel.

Bouton +/- : Tournez ce bouton pour ajuster le paramètre sélectionné.

Affichage d'informations détaillées sur la source audio

Vous pouvez voir des informations détaillées sur la source audio actuellement sélectionnée. Si une source audionumérique est sélectionnée, la fréquence d'échantillonnage et de débit binaire du signal audio pourront aussi être affichés. (Les paramètres pouvant être affichés varient selon la source.)


Tournez +/- dans le sens contraire des aiguilles d'une montre pour afficher les informations audio (sauf pendant les opérations de menu). Tournez vers +/- dans un sens ou l'autre pour faire défiler les informations.

Tournez +/- immédiatement après une pression sur MODE +/- pour ajuster les modes de surround. Environ deux secondes après l'utilisation de MODE +/-, vous pouvez utiliser +/- pour afficher les informations audio. Après avoir utilisé INPUT SELECTOR, etc. vous pouvez aussi tourner +/- pour afficher les informations audio lorsque l'affichage surround est rétabli.

Création de courbes d'égalisation personnalisées

Tout changement apporté aux égaliseurs pré-réglés (EQ PRESET 1~5) est enregistré automatiquement.

- 1 Appuyez sur EQUALIZER BANK à plusieurs reprises pour sélectionner l'égaliseur dont vous souhaitez changer la courbe (EQ PRESET 1~5).
- 2 Appuyez sur MAIN MENU à plusieurs reprises pour afficher "<EQUALIZER>".
- 3 Tournez MENU pour sélectionner le paramètre souhaité, puis tournez +/- pour le régler.
Ces paramètres vous permettent d'ajuster le son de chaque enceinte individuellement (voir page 32).
Ces réglages sont enregistrés automatiquement.

 Vous pouvez désactiver l'égalisation sans supprimer l'égaliseur
Appuyez sur EQUALIZER BANK à plusieurs reprises pour sélectionner "EQUALIZER OFF".

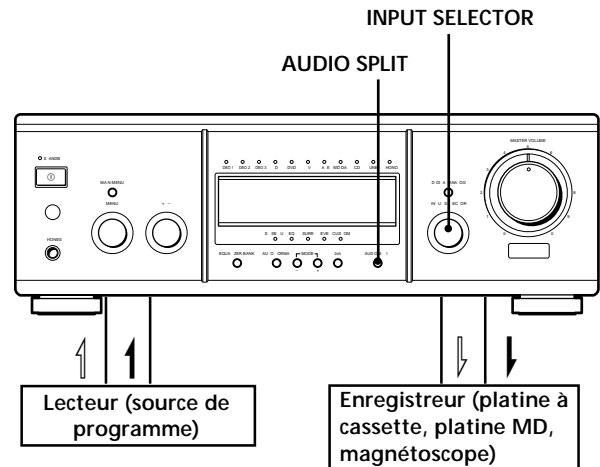
Effacement des courbes d'égalisation personnalisées

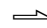
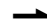
- 1 Appuyez sur EQUALIZER BANK à plusieurs reprises pour sélectionner l'égaliseur dont vous souhaitez effacer la courbe (EQ PRESET 1~5).
- 2 Appuyez sur MAIN MENU à plusieurs reprises pour afficher "<EQUALIZER>".
- 3 Tournez MENU pour afficher "<PRESET x clear [NO]>" ("x" est le numéro de la courbe d'égalisation pré-réglée actuelle).
- 4 Tournez +/- pour afficher "<PRESET x clear [YES]>". Quelques secondes plus tard, "Are you sure? (Êtes-vous sûr?)" sera affiché.
- 5 Tournez de nouveau +/- pour afficher [YES]. Quelques secondes plus tard, "<PRESET x CLEARED!" sera affiché et le contenu de la banque de mémoire de l'égaliseur sélectionné reviendra aux pré-réglages d'usine.

Enregistrement

L'amplificateur de contrôle facilite l'enregistrement à partir de ou vers un appareil qui lui est raccordé. Vous n'avez pas besoin de raccorder directement le lecteur et l'enregistreur: il suffit de sélectionner la source de programme sur l'amplificateur de contrôle pour enregistrer ou faire un montage comme à l'ordinaire avec les commandes de chaque appareil.

Avant de commencer, assurez-vous que tous les appareils sont raccordés convenablement.



 : Sens du signal audio
 : Sens du signal vidéo

Enregistrement sur une cassette audio ou un minidisque

Vous pouvez enregistrer sur une cassette analogique ou un minidisque en utilisant l'amplificateur de contrôle. Reportez-vous au besoin au mode d'emploi de la platine à cassette ou de la platine MD.

- 1 Tournez INPUT SELECTOR pour sélectionner la source devant être enregistrée.
- 2 Préparez l'appareil pour la lecture.
Par exemple, insérez un CD dans le lecteur CD.
- 3 Insérez une cassette vierge ou un MD dans l'enregistreur et ajustez le niveau sonore, si nécessaire.
- 4 Commencez l'enregistrement sur l'enregistreur, puis la lecture sur le lecteur.


Remarques

- Vous ne pouvez pas enregistrer de signal audionumérique avec l'appareil raccordé aux prises analogiques TAPE REC OUT ou MD/DAT REC OUT. Pour enregistrer un signal audionumérique, raccordez un appareil numérique à la prise MD/DAT OPTICAL OUT.
- Les réglages du son n'ont aucune influence sur le signal sortant par les prises TAPE REC OUT ou MD/DAT REC OUT.

Enregistrement sur une vidéocassette

Vous pouvez enregistrer à partir d'un autre magnétoscope, d'un téléviseur ou d'un lecteur LD en utilisant l'amplificateur de contrôle. Vous pouvez aussi ajouter une bande son de diverses sources audio lors du montage d'une vidéocassette. Consultez au besoin le mode d'emploi du magnétoscope ou du lecteur LD.

- 1 Tournez INPUT SELECTOR pour sélectionner la source de programme à enregistrer.
- 2 Préparez l'appareil pour la lecture.
Par exemple, insérez le disque laser que vous voulez enregistrer dans le lecteur LD.
- 3 Insérez une vidéocassette vierge dans le magnétoscope (VIDEO 1, VIDEO 2 ou VIDEO 3) pour l'enregistrement.
- 4 Commencez l'enregistrement sur le magnétoscope enregistreur, puis la lecture de la vidéocassette ou du disque laser que vous voulez enregistrer.

 Vous pouvez enregistrer une nouvelle bande son sur une vidéocassette pendant la copie d'une vidéocassette ou d'un disque laser

Localisez le point où l'enregistrement de l'autre source doit commencer, sélectionnez la source de programme, puis commencez la lecture. Le son de cette source sera enregistré sur la piste son de la vidéocassette au lieu du son de la bande originale.

Par exemple, si vous voulez enregistrer l'image de l'appareil raccordé aux prises VIDEO 1 et le son de l'appareil raccordé aux prises CD:

- 1 Tournez INPUT SELECTOR pour sélectionner VIDEO 1.
- 2 Appuyez sur AUDIO SPLIT pour afficher "V:VIDEO1 A:(appareil audio)".
- 3 Tournez AUDIO SPLIT à plusieurs reprises pour sélectionner le lecteur CD comme appareil audio ("V:VIDEO1 A:CD").

Voir " Touche AUDIO SPLIT" à la page 13 pour des détails sur l'utilisation de la touche AUDIO SPLIT.

Pour continuer l'enregistrement audio à partir du support original, appuyez sur AUDIO SPLIT pendant plus de 2 secondes pour annuler. (Notez bien que l'appareil audio sélectionné changera une fois avant l'annulation.)

Remarques

- Vous ne pouvez pas enregistrer de signal audionumérique avec l'appareil raccordé aux prises analogiques TAPE REC OUT, MD/DAT REC OUT, VIDEO 1 REC OUT, VIDEO 2 REC OUT ou VIDEO 3 REC OUT. Pour enregistrer un signal audionumérique, raccordez l'appareil numérique à MD/DAT OPTICAL OUT.
- Vous ne pouvez pas enregistrer les signaux numériques surround multicanaux d'un DVD, etc.

Système de commande CONTROL-A1

Introduction

"CONTROL A1" est le nom du système de commande à distance qui contrôle les appareils audio du système de bus Sony S-Link™. (S-Link™ est un terme général désignant le système de contrôle d'appareils audiovisuels Sony.)

Ce paragraphe explique les fonctions fondamentales du système de contrôle CONTROL A1. Certains appareils ont certaines fonctions, telles que la "Copie synchronisée de CD" sur platines à cassette, qui nécessitent des connexions CONTROL A1. Pour plus de détails sur les opérations spécifiques, veuillez à consulter aussi le mode d'emploi fourni avec le(s) appareil(s) utilisé(s).

Le système de commande CONTROL A1 a été conçu pour simplifier l'utilisation de systèmes audio, regroupant des appareils Sony séparés. Les branchements CONTROL A1 assurent le passage des signaux de commande qui vont permettre un fonctionnement et un contrôle automatiques, des avantages réservés normalement aux systèmes intégrés. A l'heure actuelle, les branchements CONTROL A1 entre un lecteur CD, un amplificateur (ampli-tuner), une platine MD et une platine à cassette Sony autorisent la sélection automatique des fonctions et l'enregistrement synchronisé. A l'avenir, les branchements CONTROL A1 agiront comme un bus multifonctions, rendant possible le contrôle de diverses fonctions de chaque appareil.

Remarque

Le système de commande CONTROL A1 est étudié pour préserver sa compatibilité future lorsqu'il aura à régir de nouvelles fonctions. Notez toutefois que, dans ce cas, les anciens appareils ne seront pas compatibles avec les nouvelles fonctions.

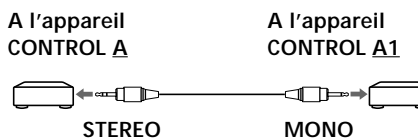
Compatibilité avec la version précédente du système CONTROL A

En règle générale, les systèmes CONTROL A et CONTROL A1 ne sont pas compatibles.

Néanmoins, certains appareils CONTROL A peuvent être raccordés aux appareils CONTROL A1 avec un cordon de liaison spécial.

- CDP-CX151 Incompatible
- CDP-CX153 Peut être raccordé*

* Utilisez le cordon de raccordement à minifiche monophonique ↔ minifiche stéréo RK-G139HG Sony (1 m) ou un cordon comparable (moins de 2 m de long).

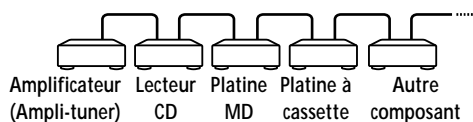


Veillez à raccorder la minifiche STEREO à l'appareil CONTROL A et la minifiche MONO à l'appareil CONTROL A1.

Branchements

Raccordez les cordons à minifiche monophonique (2P) en série aux prises CONTROL A1 à l'arrière de chaque appareil. Vous pouvez raccorder jusqu'à dix appareils compatibles CONTROL A1 dans l'ordre de votre choix. Vous ne pouvez néanmoins raccorder qu'un appareil de chaque type (par ex. 1 lecteur CD, 1 platine MD, 1 platine à cassette et 1 ampli-tuner). (Vous pouvez raccorder plus d'un lecteur CD ou platine MD, selon le modèle. Pour les détails, consultez le mode d'emploi fourni avec chaque appareil.)

Exemple

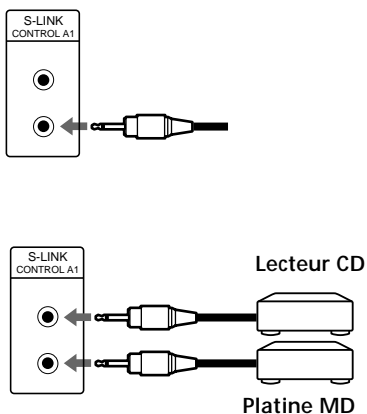


Dans le système de commande CONTROL A1, les signaux de commande circulent dans les deux sens et il n'y a donc pas de différence entre les prises IN et OUT. Si un appareil a plus d'une prise CONTROL A1, vous pouvez utiliser l'une ou l'autre indifféremment, ou raccorder un appareil différent à chaque prise.

A propos du cordon de liaison

Certains appareils compatibles CONTROL A1 sont livrés avec un cordon de liaison, fourni comme accessoire. Dans ce cas, utilisez ce cordon de liaison pour les connexions. Si vous utilisez un cordon disponible dans le commerce, choisissez un cordon à minifiche monophonique (2P) de moins de 2 mètres de long, sans résistance (comme le Sony RK-G69HG).

Exemples de prises et de connexions



Fonctions de base

Les fonctions CONTROL A1 agiront aussi longtemps que l'appareil que vous voulez utiliser sera sous tension, même si tous les autres appareils raccordés ne sont pas sous tension.

Sélection automatique de fonction

Lorsque vous raccordez un amplificateur (ou ampli-tuner) Sony compatible CONTROL A1 à d'autres appareils Sony à l'aide de cordons à minifiche monophonique, le sélecteur de fonction de l'amplificateur (ou ampli-tuner) commute automatiquement l'entrée correcte quand vous appuyez sur la touche de lecture d'un des appareils raccordés.

Remarques

- Vous devez raccorder un amplificateur (ou ampli-tuner) compatible CONTROL A1 à l'aide d'un cordon à minifiche monophonique pour bénéficier de la sélection automatique de fonction.
- Cette fonction agit uniquement quand les appareils sont raccordés aux entrées de l'amplificateur (ou de l'ampli-tuner) selon le nom des touches de fonction. En effet, certains ampli-tuners permettent de changer le nom des touches de fonction. Dans ce cas, consultez le mode d'emploi fourni avec l'ampli-tuner en question.
- Lors de l'enregistrement, ne reproduisez aucune autre source, sinon la sélection automatique de fonction se déclenchera.

Enregistrement synchronisé

Cette fonction vous permet d'effectuer un enregistrement synchronisé entre une source donnée et des appareils d'enregistrement.

- 1 Sur l'amplificateur (ou l'ampli-tuner), réglez le sélecteur de fonction sur l'appareil source.
- 2 Réglez l'appareil source sur le mode de pause (vérifiez que les voyants ► et || sont tous deux allumés).
- 3 Réglez l'appareil d'enregistrement sur le mode REC-PAUSE.
- 4 Appuyez sur PAUSE de l'appareil d'enregistrement. Le mode de pause de l'appareil source est libéré et l'enregistrement commence peu après. Quand la lecture s'achève sur l'appareil source, l'enregistrement s'arrête.

Remarques

- Ne réglez pas plusieurs appareils en mode de pause.
- Certains appareils d'enregistrement ne sont pas dotés d'une fonction spéciale d'enregistrement synchronisé, utilisant le système de contrôle CONTROL A1, tel que "Copie Synchronisée de CD". Dans ce cas, consultez le mode d'emploi fourni avec l'appareil d'enregistrement utilisé.

Guide de dépannage

Si vous rencontrez un des problèmes suivants quand vous utilisez l'amplificateur de contrôle, utilisez ce guide de dépannage pour essayer de le résoudre. Reportez-vous aussi à "Vérification des raccordements" à la page 17 pour voir si toutes les liaisons sont correctes. Si le problème persiste, consultez votre revendeur Sony.

Pas de son ou son extrêmement faible.

- ➔ Vérifiez que toutes les prises sont enfoncées à fond.
- ➔ Vérifiez si vous avez sélectionné le bon appareil sur l'amplificateur de contrôle.
- ➔ Appuyez sur MUTING de la télécommande si "MUTING" apparaît sur l'afficheur.
- ➔ Si un casque est branché, débranchez-le.

Les sons des voies gauche et droite sont déséquilibrés ou inversés.

- ➔ Vérifiez que tous les appareils sont branchés correctement et les prises enfoncées à fond.

Bourdonnement ou parasites importants.

- ➔ Vérifiez que toutes les prises sont enfoncées à fond.
- ➔ Assurez-vous que les cordons de liaison ne sont pas à proximité d'un transformateur ou d'un moteur et qu'ils se trouvent à au moins 3 mètres (10 pieds) d'un téléviseur ou d'une lampe fluorescente.
- ➔ Eloignez le téléviseur des appareils audio.
- ➔ Vérifiez si vous avez bien raccordé un fil de terre à la borne SIGNAL GND \perp .
- ➔ Les fiches et les prises sont sales. Essayez-les avec un chiffon légèrement imprégné d'alcool.

Aucun son fourni par l'enceinte centrale.

- ➔ Assurez-vous que le champ sonore a été activé (appuyez sur AUTO FORMAT).
- ➔ Réglez le volume des enceintes (voir page 22).
- ➔ Assurez-vous que la taille de l'enceinte centrale a été réglée sur SMALL ou LARGE (voir page 18).

Pas de son ou son très faible en provenance des enceintes arrière.

- ➔ Assurez-vous que le champ sonore a été activé (appuyez sur AUTO FORMAT).
- ➔ Réglez le volume des enceintes (voir page 22).
- ➔ Assurez-vous que la taille de l'enceinte centrale a été réglée sur SMALL ou LARGE (voir page 18).

Enregistrement impossible.

- ➔ Vérifiez si les appareils sont raccordés correctement.
- ➔ Sélectionnez l'appareil source en tournant la commande INPUT SELECTOR.
- ➔ Quand vous enregistrez à partir d'un appareil numérique, veillez à appuyer sur DIGITAL/ANALOG pour sélectionner "ANALOG" (voir page 13) avant d'enregistrer avec un appareil raccordé aux prises analogiques MD/DAT, TAPE, VIDEO 1, VIDEO 2, ou VIDEO 3.
- ➔ Quand vous enregistrez à partir d'un appareil numérique, veillez à appuyer sur DIGITAL/ANALOG pour sélectionner "DIGITAL" (voir page 13) avant d'enregistrer avec un appareil raccordé aux prises MD/DAT OPTICAL OUT.

Impossible d'obtenir l'effet surround.

- ➔ Assurez-vous que le champ sonore a été activé (appuyez sur AUTO FORMAT).

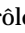
Pas d'image ou image de mauvaise qualité sur l'écran du téléviseur ou du moniteur.

- ➔ Sélectionnez la fonction appropriée sur l'amplificateur de contrôle.
- ➔ Réglez le téléviseur sur le mode d'entrée approprié.
- ➔ Eloignez le téléviseur des appareils audio.

L'image vidéo sur l'écran du téléviseur ou du moniteur ne correspond pas à celle de l'appareil sélectionné.

- ➔ Vérifier la source du signal audio en appuyant sur AUDIO SPLIT pour afficher "V:(appareil vidéo) A:(appareil audio)". Appuyez sur AUDIO SPLIT pendant plus de 2 secondes pour annuler la fonction et restaurer aussi bien les signaux audio que les signaux vidéo à l'appareil vidéo sélectionné.

La télécommande ne fonctionne pas.

- ➔ Dirigez la télécommande vers le détecteur infrarouge  de l'amplificateur de contrôle.
- ➔ Enlevez tout obstacle éventuel entre la télécommande et l'amplificateur de contrôle.
- ➔ Si les piles de la télécommande sont faibles, remplacez-les par des neuves.
- ➔ Veillez à sélectionner la fonction appropriée sur la télécommande.
- ➔ Si la télécommande est réglée pour le téléviseur seulement, utilisez la télécommande pour sélectionner une source ou un appareil autre que le téléviseur avant de faire fonctionner l'amplificateur de contrôle et l'autre appareil.

Pages de référence pour l'annulation de la mémoire de l'amplificateur de contrôle

Pour annuler	Voir
Tout le contenu de la mémoire	Page 17
Egaliseurs personnalisés	page 40

Spécifications

Section audio

Distorsion harmonique

Inférieure à 0,05% (avec champs sonore et égaliseur contournés)

Réponse en fréquence

PHONO:
20 Hz ~ 20 kHz
RIAA $\pm 0,5$ dB
LINE (TUNER, CD, MD/DAT, TAPE, TV (TV/DBS), DVD, LD, VIDEO 1, 2 et 3):
20 Hz ~ 20 kHz
 $+0/-0,2$ dB (avec champ sonore et égaliseur contournés)

S/B

DIGITAL IN: 100 dB (A, 20 kHz LPF)
PHONO: 82 dB (A)*
LINE: 94 dB (A, 20 kHz LPF)**

* Mesuré à REC OUT

** Niveau d'entrée 2,5 V

Entrées (analogiques)

PHONO:
Sensibilité: 5 mV
Impédance: 50 kilohms
LINE (TUNER, CD, MD/DAT, TAPE, TV (TV/DBS), DVD, LD, VIDEO 1, 2 et 3):
Sensibilité: 250 mV
Impédance: 50 kilohms

Entrées (numériques)

DVD (coaxiale):
Sensibilité: 0,5 V c-c
Impédance: 75 ohms
LD (AC-3 RF):
Impédance: 75 ohms
LD (coaxiale):
Sensibilité: 0,5 Vc-c
Impédance: 75 ohms
CD (coaxiale):
Sensibilité: 0,5 Vc-c
Impédance: 75 ohms
CD, MD/DAT, TV (TV/DBS), LD (optique)
DVD (optique)

Sorties (analogiques)

MD/DAT, TAPE (REC OUT); VIDEO 1, 2 et 3 (REC OUT):
Tension: 250 mV
Impédance: 1 kilohm
PRE OUT (FRONT L/R, CENTER, REAR L/R, WOOFER):
Tension: 1 V
Impédance: 200 ohms
PHONES:
Accepte les casques à basse et haute impédance

Sorties (numériques)

MD/DAT (optique)

Fréquence d'échantillonnage

48 kHz

EQ

BASS:
100 Hz ~ 1,0 kHz
(21 paliers)
MID:
99 Hz ~ 8,6 kHz
(41 paliers)
TREBLE
1,0 kHz ~ 10 kHz
(21 paliers)
Niveau du gain:
 ± 10 dB, palier de 1 dB

Formats numériques décodables

Dolby Digital (AC-3),
MPEG, DTS,
PCM linéaire

Spécifications

Section vidéo

Entrées 1 Vc-c 75 ohms

Sorties 1 Vc-c 75 ohms

Entrées S-vidéo

Luminance:

1 Vp-p, 75 ohms

Chrominance:

0,286 Vp-p, 75 ohms

Sorties S-vidéo

Luminance:

1 Vp-p, 75 ohms

Chrominance:

0,286 Vp-p, 75 ohms

Généralités

Alimentation Modèles pour l'Europe:
230 V CA, 50/60 Hz
Modèles pour les Etats-
Unis et le Canada:
120 V CA, 60 Hz

Consommation

72 W

Prises CA

Modèles pour
l'Europe: 1 prise
commutée, 100 W
Modèles pour les Etats-
Unis et le Canada:
2 prises commutées,
total 120 W/1A

Dimensions

430 x 150 x 387 mm
(17 x 6 x 15 1/4 po.)
saillies et
commandes
comprises

Poids (Env.) 12,8 kg (28 li. 04 on.)

Accessoires fournis

Voir page 4.

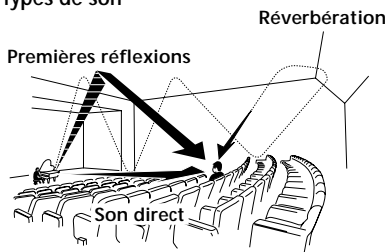
La conception et les spécifications
peuvent être modifiées sans préavis.

Glossaire

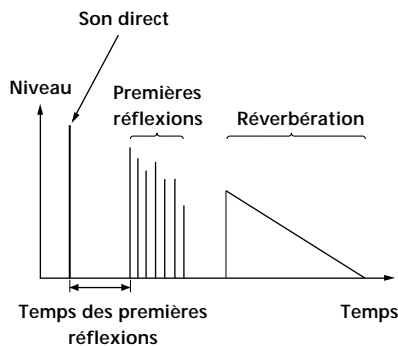
Son surround

Le son surround comprend trois éléments: le son direct, le son immédiatement réfléchi (premières réflexions) et le son réverbéré (réverbération). Ces trois éléments sont affectés par l'acoustique de la pièce. Le son surround combine ces trois éléments de sorte que l'on peut réellement sentir la dimension et le type de la pièce.

• Types de son



• Transition du son des enceintes arrière



Dolby Pro Logic Surround

C'est une méthode de décodage du son Dolby Surround. Le Dolby Pro Logic Surround produit un son à quatre voies à partir d'un son à deux voies. Comparé à l'ancien système Dolby Surround, le Dolby Pro Logic Surround restitue de façon plus naturelle le panoramique gauche-droite et localise plus précisément les sons.

Pour pouvoir profiter pleinement du Dolby Pro Logic Surround, vous devez avoir au moins deux enceintes arrière et une enceinte centrale. Les enceintes arrière fournissent un son monophonique.

Dolby Digital (AC-3)

Il s'agit d'un format sonore pour le cinéma plus évolué que le Dolby Pro Logic Surround. Dans ce format, les enceintes arrière restituent un son en stéréophonie avec une plus grande plage de fréquences, et une voie indépendante est fournie pour la restitution de l'extrême grave par un caisson de grave. Ce format est appelé "5.1" parce que la voie restituée par le caisson de grave est comptée comme 0,1 voie (puisque'elle ne fournit le grave que lorsqu'il est nécessaire d'ajouter un effet d'extrême grave). Pour obtenir une meilleure séparation des voies, les six voies sont enregistrées séparément. Par ailleurs, la dégradation du signal est moins importante parce que tous les signaux sont traités numériquement. Le nom "AC-3" vient du fait qu'il s'agit de la troisième méthode de codage audio développée par Dolby Laboratories Licensing Corporation.

Digital Cinema Sound

C'est le nom générique du son surround produit par une technologie du traitement numérique du signal mise au point par Sony. A la différence des autres champs sonores surround qui servent surtout pour la reproduction de la musique, le Digital Cinema Sound est avant tout conçu pour les films.

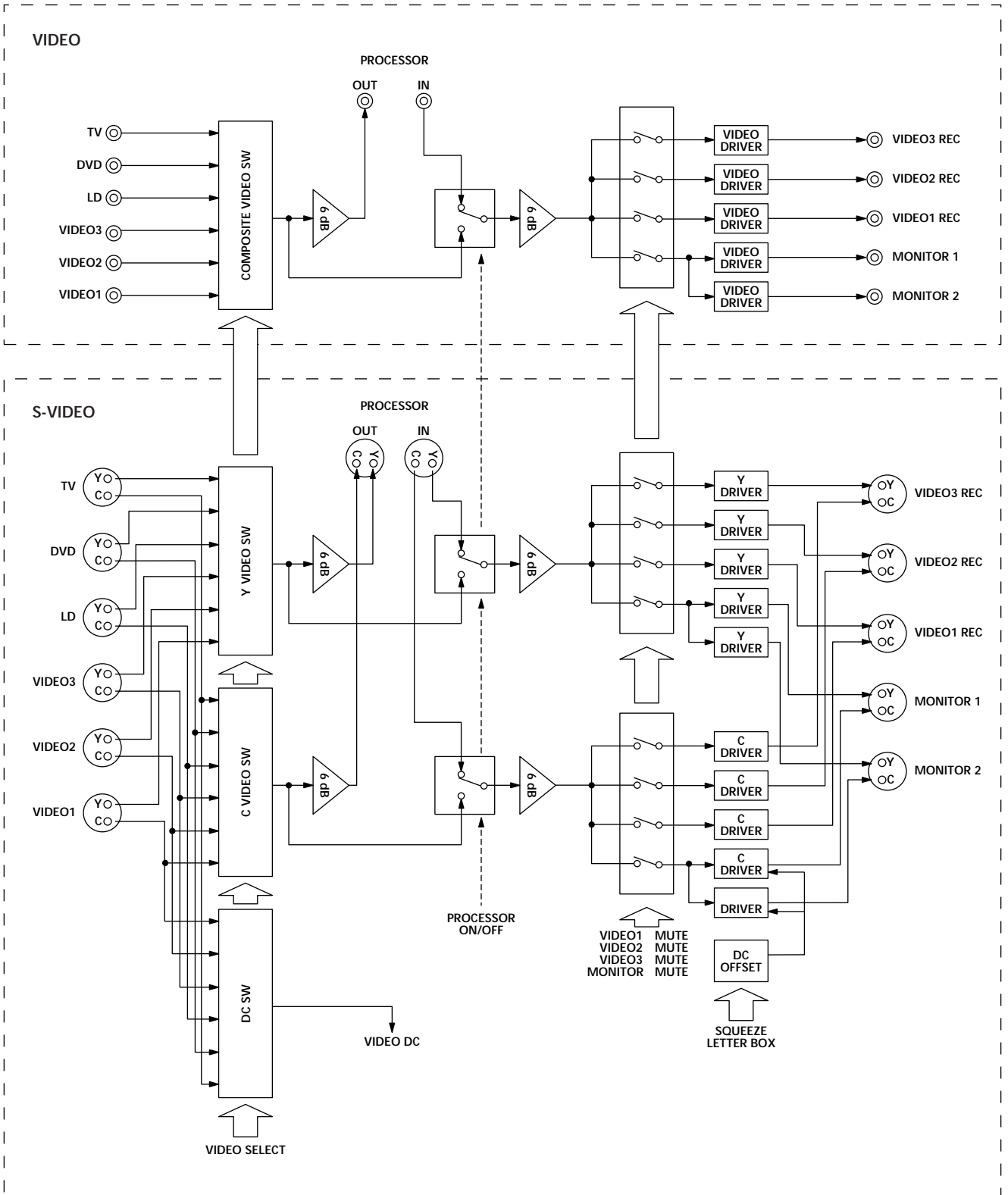
DTS

Il s'agit d'une technologie de compression audio numérique mise au point par Digital Theater Systems, Inc. Cette technologie est conforme au son surround 5.1 canaux. Dans ce format, le canal arrière est en stéréo et un canal supplémentaire est réservé au son grave. On obtient une bonne séparation des canaux car tous les canaux sont enregistrés séparément et traités numériquement.

MPEG AUDIO

Il s'agit d'un système de codage international, agréé par l'ISO/IEC, qui permet de compresser les signaux audio numériques. Le système MPEG 1 est adapté au son stéréo à 2 canaux. Le système MPEG 2 utilisé pour les DVD est adapté au son surround 7.1 canaux, mais une piste MPEG 2 peut être reproduite sur un lecteur MPEG 1.

Schéma général des signaux vidéo



Informations complémentaires

Index

A, B

- AC-3. *Voir Dolby Digital (AC-3)*
- Accessoires fournis 4
- Annulation de la mémoire de l'amplificateur de contrôle 17

C

- Champ sonore
 - paramètres réglables 37
 - personnalisation 34
 - préprogrammé 23~26
 - réinitialisation 38
 - sélection 23
- Changement du niveau de l'effet 34
- Copie. *Voir Enregistrement*

D

- Déballage 4
- Digital Cinema Sound 47
- Dolby Digital (AC-3) 47
- Dolby Pro Logic Surround 47
- DTS 47

E, F, G, H, I, J, K

- Edition. *Voir Enregistrement*
- Enceintes
 - emplacement 18
 - réglage du volume 22
- Enregistrement
 - sur une cassette audio ou un minidisque 40
 - sur une vidéocassette 41

L

- Liaison. *Voir Raccordements*

M

- MPEG 47

N

- Niveau de l'effet 34

O

- Opérations élémentaires 12~15

P, Q

- Paramètre 30, 31, 37
- Personnalisation des champs sonores 34
- Piles 4

R

- Raccordement
 - d'appareils audio 8
 - d'appareils numériques 6, 7
 - d'appareils vidéo 9
 - du cordon d'alimentation secteur 11
 - d'un ou plusieurs amplificateur(s) de puissance 5
 - S-LINK CONTROL A1 10, 11
- Réglage
 - de la luminosité de l'afficheur 38
 - de l'égaliseur 32
 - des paramètres surround 37
 - du volume des enceintes 22

S, T, U

- Sélection
 - d'un appareil 12
 - d'un champ sonore 23
- Signal de test 22
- Son surround 18~38

V, W, X, Y, Z

- Vérification des raccordements 17

